

allen + roth[®] cabinetry



Specification Guide & Parts Directory

July 2024

Three simple steps, one smart decision

Bring your clients' ideas to life.

1

Find your style.

allenandrothcabinetry.com/styles
From timeless to traditional, you'll find the perfect look for your project.

The allen + roth cabinetry collection makes it easy to help your clients realize their dream.

Our process is designed to support you every step of the way -- from a curated collection of on-trend door styles and a range of construction types to stylish ways to personalize a space. Plus, we give you details on all three construction packages with every quote.

With allen + roth cabinetry, we take away the guesswork. And give you everything you need instead.

Start Fresh, Finish Smart.

2

Choose your construction.

allenandrothcabinetry.com/construction

We offer three construction packages, so your clients can pick the one that fits their needs and budget.

3

Personalize your space.

allenandrothcabinetry.com/personalization

Tailor your design with enhancements, storage solutions, and features to balance style and functionality.



Which construction package to choose?

Help your clients choose options that suit their lifestyle.



Essential CONSTRUCTION PACKAGE

- Furniture-grade side panels
- Hardwood face frames
- 6-way adjustable hinges
- 18-inch deep dovetailed drawers
- Side-mounted glides on drawers & roll-out accessories
- Half-depth base cabinet shelves



Select CONSTRUCTION PACKAGE

All features of **Essential**, plus:

- Soft-closing doors, drawers & roll-out accessories
- Larger 21-inch deep dovetailed drawers
- Concealed glides on drawers & roll-out accessories
- Full-depth base cabinet shelves



Luxury CONSTRUCTION PACKAGE

All features of **Select**, plus:

- Durable plywood cabinet box
- Heavy-duty plywood shelves
- Matching plywood exterior sides

Construction Options

Essential Package

- Furniture-grade side panels
- Hardwood face frames
- 6-way adjustable hinges
- 18-inch deep dovetailed drawers
- Side-mounted glides on drawers & roll-out accessories
- Half-depth base cabinet shelves

Select Package

- All the features of Essential, plus:
- Soft-closing doors, drawers, & roll-out accessories
- Larger 21-inch deep dovetailed drawers
- Concealed glides on drawers & roll-out accessories
- Full-depth base cabinet shelves

Luxury Package

- All the features of Select, plus:
- Durable plywood cabinet boxes
- Heavy-duty plywood shelves
- Matching plywood exterior sides

Introducing two new collections for 2024

Your clients will love Tilson and Heathrow.

At allen + roth cabinetry, we continue to look for opportunities to bring you the selections you need to help your clients stay on trend. This year, we're excited to refresh our line with two fashion-forward styles that help expand your portfolio offering. Now introducing Tilson and Heathrow, two fresh new looks with finishes that are right on trend. Everything your clients need to be inspired: simply, stylishly and confidently.



TILSON

A fresh and inviting take on traditional cabinetry, the tailored lines and bright, white painted finish of Tilson is sure to make an impact. Featuring a full overlay door with raised center panel and decorative slab drawer fronts, this style works beautifully on its own or pairs well with the soft-gray tones of Pattingham.



HEATHROW

The stunning transitional style of Heathrow will make your clients feel right at home. Intricate details of this mitered flat panel collection, combined with the earthy hues of its cool dark green finish, deliver a dramatically stylish and soothing aesthetic.



We've made accessibility more accessible

Introducing our new Accessible Height option.

When designing a mobility-inclusive space, adaptability is crucial. That's why we're introducing our new Accessible Height (AH) cabinet option, along with diversifying our line to allow for inclusivity. Whether your client is aging gracefully at home or looking for lower height base cabinet solutions, the allen + roth cabinetry Accessible Height offering is available in all construction options and all styles.

Simply use the Accessible Height (AH) construction option to reduce the cabinet and toe kick height by two inches. Provide even more design flexibility by including our new Adaptable Sink Base Kit (ASB) paired with our new Universal Design Base Plumbing Skirt (BPS_UD), and a Drawer Work Surface (DWS21) to an adjacent 21-inch base cabinet with top drawer.

New Accessible Height Available On:

- Standard Base Cabinets
- Full Height (34 1/2") Vanity Cabinets
- Oven Cabinets



Restrictions Include:

Base Cabinets: Furniture Drawers, Pedestal Drawers, Peninsula Bases, Blind Peninsula Corner Bases, Sink/Cooktop Fronts, Corner Sink Fronts, Base Spice Drawers, Base Wine Racks, Shelf End Bases, Base End Angle-Two Doors, Base Filler Pull Out Kits

Desk Cabinets: Desk Cabinets, Kneehole Drawers, Base Bookshelves, Tall Bookshelves

Oven Cabinets: Any Oven Cabinet with a Base Pot & Pan Organizer (BPPO), Double Oven Cabinet with 2 BUTT Doors and 2 Drawers (OVD_BUTT 2DWR)

Vanity Cabinets: Vanity Linen Cabinets

Construction Options: Not available combined with Recessed Toe Kick (RTK) or Cabinet Front Only (CFO) Construction Modification Options



Small details make a big impact

New SKUs for 2024.

Help your clients express their style with details that can take their remodel to the next level. These new offerings are sure to inspire and help personalize your designs to fit every need.



Built-In Base Microwave Cabinets



37" Wide Refrigerator Cabinets

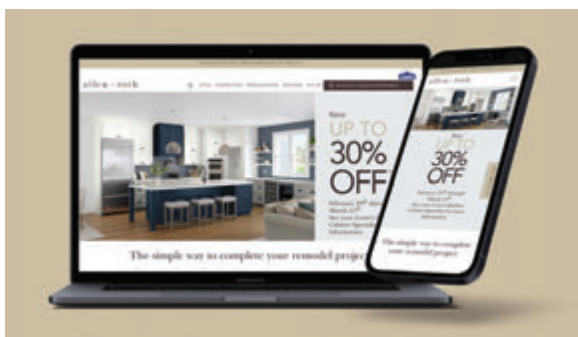


12" & 15" Stackable Height Cabinets



Expanded Full-Height Blind Base

We make decisions simple



At [allenandrothcabinetry.com](https://www.allenandrothcabinetry.com), your clients can see our full collections, mix and match styles, and explore all the possibilities. And if you have someone deciding between finishes or which pairing is right for them, our free sample chip program sends a sample of all six finishes directly to the client. Because when making choices is easier for them, it's better for you.



Find their style



Launch Summary

ADDITIONS

Door Style Collections:

Heathrow
Tilson

Accessible Design:

Accessible Height (AH) Construction Option
BPS30 UD, BPS3034 UD
BPS36 UD, BPS3634 UD
VPS30 UD
VPS36 UD
ASB__34 KIT (30, 36)
ASB__32 KIT (30, 36)
DWS21

Utility Cabinets without Shelves (24" Deep):

UT__24 X 96, UT__24 X 96 SD (12, 15, 18, 21)
UT__24 X 93, UT__24 X 93 SD (12, 15, 18, 21)
UT__24 X 90, UT__24 X 90 SD (12, 15, 18, 21)
UT__24 X 84, UT__24 X 84 SD (12, 15, 18, 21)
UT__24 X 96 BUTT, UT__24 X 96 BUTT SD (24, 27, 30, 33, 36)
UT__24 X 93 BUTT, UT__24 X 93 BUTT SD (24, 27, 30, 33, 36)
UT__24 X 90 BUTT, UT__24 X 90 BUTT SD (24, 27, 30, 33, 36)
UT__24 X 84 BUTT, UT__24 X 84 BUTT SD (24, 27, 30, 33, 36)

37" Wide Refrigerator Cabinets (24" Deep):

W3712 X 24 DP BUTT, W3712 X 24 DP BT SD
W3715 X 24 DP BUTT, W3715 X 24 DP BT SD
W3718 X 24 DP BUTT, W3718 X 24 DP BT SD
W3721 X 24 DP BUTT, W3721 X 24 DP BT SD
W3724 X 24 DP BUTT, W3724 X 24 DP BT SD

Built-In Base Microwave Cabinet:

BBMC24
BBMC27
BBMC30

Full-Height Blind Base Expansion:

BLB36/39 FH
BLB39/42 FH
BLB42/45 FH

Stackable Height Cabinets (12" & 15"):

CW2412, CW2412 SD
CW2415, CW2415 SD
CW2712, CW2712 SD
CW2715, CW2715 SD
W1212, W1212 SD
W1215, W1215 SD
W1512, W1512 SD
W1515, W1515 SD
W1812, W1812 SD
W1815, W1815 SD
W2112, W2112 SD
W2115, W2115 SD
W2412 BUTT, W2412 BUTT SD
W2415 BUTT, W2415 BUTT SD
W2712 BUTT, W2712 BUTT SD
W2715 BUTT, W2715 BUTT SD

PRODUCT CHANGES/REDESIGN

SKU Redesign:

Sink Base Multi-Storage Units (SBMS_) are redesigned to no longer include the Plastic Bag Door Storage Unit, new SKU is (SBMSC_).

Product Change:

Vanity cabinets (VAN and VSDB) previously manufactured with a partial back will be replaced by a full back version, the following are the new SKUs.

VAN__34H BK BUTT (54, 60)
VSDB__1834H BK (24, 27, 30, 33, 36)
VSDB__34H BK (24, 27, 30, 33, 36, 39)
VSDB4234H BK BUTT
VSDB__34HD BK BUTT (48, 54, 60)
VSDB6034HC BK BUTT

DISCONTINUED PRODUCTS

Door Style Collections:

Bickershire
Glenloch

Product Change:

Vanity cabinets (VAN and VSDB) previously manufactured with a partial back will be replaced by a full back version, the following are the old SKUs.

VAN__34H BUTT (54, 60)
VSDB__1834H (24, 27, 30, 33, 36)
VSDB2434H (24, 27, 30, 33, 36, 39)
VSDB4234H BUTT
VSDB__34HD BUTT (48, 54, 60)
VSDB6034HC BUTT

Tilt Out Tray:

SB18 STO (Stainless)

Door Buffers:

CUSH CLOSE DR BUFFER
DOOR BUFFER

Cutting Board Door Rack:

B18 CBDR
CBDRK18

Plastic Bag Door Storage Unit:

B15 PBDSU
B18 PBDSU
PBDSU15
PBDSU18



TABLE OF CONTENTS

| | |
|---|----|
| WARRANTY | 4 |
| DOOR STYLE COLLECTIONS | |
| AVELEY | 6 |
| GALWAY | 6 |
| INNSBROOK | 6 |
| PORT | 6 |
| STONEWALL | 6 |
| PATTINGHAM | 7 |
| TILSON | 7 |
| HEATHROW | 8 |
| MCKELLER | 8 |
| STANDARD CABINET SPECIFICATIONS | |
| Certification | 10 |
| Finishing Systems | 11 |
| Cabinet Dimensions | 12 |
| Installation Guidelines | 16 |
| Essential Construction Package | 18 |
| Select Construction Package | 20 |
| Luxury Construction Package | 22 |
| Construction Package Comparison | 24 |
| Overlay Dimensions | 25 |
| CONSTRUCTION OPTIONS | |
| Legend | 28 |
| Furniture Ends & Cabinet Front Only Options | 29 |
| Reduced Depth Cabinet Option | 30 |
| Increased Depth Cabinet & Void Door Options | 31 |
| Recessed Toe Kick & Void Top Drawer Options | 32 |
| Matching Interior Option & Accessible Height Option | 33 |
| Specialty Door Options | 34 |
| Open Frame Door Profiles | 35 |
| Decorative Glass Inserts | 36 |
| Glass Clip Reference Chart | 37 |
| WALL CABINETS | |
| Standard | 40 |
| With Spice Rack | 42 |
| Wall Top Hinge | 42 |
| Microwave | 43 |
| Blind | 44 |
| Corner | 46 |
| Wall Easy Reach | 47 |
| Wall End Angle | 47 |
| Specialty | 48 |
| Range Hoods | 50 |
| Range Hood Chimney | 52 |
| Range Hood Blowers | 53 |
| Accessories | 56 |
| BASE CABINETS | |
| One Door Base Cabinets | 60 |
| One Door Base With Deep Roll Out Trays | 60 |
| One Door Base With Accessories | 61 |
| One Door Base With Factory Installed Drawer Organizer | 62 |
| Two Door Base Cabinets | 62 |
| Two Door Base With Deep Roll Out Trays | 63 |
| Two Door Base With Factory Installed Drawer Organizer | 63 |
| Three Door Base Cabinets | 64 |
| One Door Full-Height Base Cabinets | 64 |
| One Door Full-Height Base Cabinets With Deep Roll Out Trays | 65 |
| One Door Full-Height Base Cabinets With Accessories | 65 |
| Two Door Full-Height Base Cabinets | 67 |
| Two Door Full-Height Base Cabinets With Deep Roll Out Trays | 67 |
| Furniture Drawer Cabinets | 67 |
| Pedestal Drawer Cabinets | 68 |
| Drawer Base Cabinets | 68 |

| | |
|---|-----|
| BASE CABINETS (CONT.) | |
| Drawer Base With Factory Installed Drawer Organizer | 70 |
| Peninsula Cabinets | 71 |
| Full-Height Peninsula Base Cabinets | 71 |
| Blind Peninsula Corner Base | 72 |
| Corner Cabinets | 73 |
| Blind Corner Base Cabinets | 76 |
| Full-Height Blind Corner Base Cabinets | 76 |
| Full-Height Blind Corner with Accessories | 76 |
| Corner Sink Base Cabinet | 78 |
| Deep Sink/Range Base Cabinets | 78 |
| Sink/Cooktop Base Cabinets | 79 |
| Sink Base With Factory Installed Tilt-Out Tray(s) | 80 |
| Sink/Cooktop Front | 81 |
| Specialty | 82 |
| Accessories | 85 |
| DESK CABINETS | |
| Desk Cabinets | 92 |
| Desk With Wastebasket Pullout | 92 |
| Desk Drawer Base | 93 |
| Desk File Pull-Out Cabinets | 93 |
| Specialty Desk | 93 |
| Tall Bookshelves | 94 |
| Wall Bookshelves | 94 |
| Base Bookshelves | 95 |
| Accessories | 95 |
| TALL CABINETS | |
| Utility Cabinets | 98 |
| Utility Cabinets With Adjustable Shelves | 99 |
| Utility Cabinets With Deep Roll Out Trays | 100 |
| Single Oven Cabinets | 101 |
| Double Oven Cabinets | 104 |
| Accessories | 106 |
| VANITY CABINETS | |
| One Door Vanity Cabinets | 110 |
| Vanity Base With Wastebasket Pull-Out | 110 |
| Two Door Vanity Cabinets | 110 |
| Full-Height Vanity Cabinets | 111 |
| Vanity Drawer Base | 111 |
| Vanity Sink Base | 112 |
| Vanity Combo Sink Base | 115 |
| Specialty | 116 |
| Accessories | 118 |
| Vanity Linen Cabinets | 119 |
| Vanity Linen Accessories | 120 |
| MOLDING AND DECORATIVE ACCENTS | |
| Moldings | 122 |
| Molding Stacks | 127 |
| Valances | 130 |
| Corbels | 132 |
| Decorative Accents | 134 |
| Legs | 135 |
| Posts | 137 |
| PANELS AND FILLERS | |
| Panels | 140 |
| Decorator Matching Doors | 143 |
| Fillers | 145 |
| Toe Kick | 150 |
| Installation Items | 150 |
| DECORATIVE HARDWARE | 154 |
| PARTS DIRECTORY | 164 |
| INDEX | 210 |

WARRANTY, CLAIMS & INFORMATION

ALLEN + ROTH CABINETRY

CONSUMER LIFETIME LIMITED WARRANTY

American Woodmark Corporation, the manufacturer of allen + roth cabinetry, hereby warrants to the original purchaser, for residential applications only, that all cabinets and accessories are free from defects in materials and workmanship. This warranty runs for as long as you own your home and begins upon the date of delivery to you. This warranty is expressly limited to repair or replacement of the defective part at the discretion of the manufacturer and does not include labor for removal or replacement. This warranty does not extend to defects caused by improper handling, storage, installation, assembly or disassembly, intentional damage, product modifications, exposure to the elements including humidity which may result in warping or splitting, accidental misuse, abuse or negligence.

Natural woods may vary in texture, color and woodgrain, and exhibit subtle changes as they age. For example, wood joints may eventually have visible cracking around the joint area and cabinet colors may darken or lighten over time. Sunlight, smoke, moisture, household cleaners and other environmental conditions may cause materials to vary from their original color and/or to warp, split or crack. These variations are considered to be the nature of the material in relation to its environmental exposure and are not covered under this warranty.

ADDITIONAL LIMITATIONS AND DISCLAIMERS

American Woodmark Corporation, the manufacturer of allen + roth cabinetry, makes no other warranties other than those set forth herein and all other warranties are hereby disclaimed. The implied warranties of merchantability and fitness for a particular purpose are limited in duration to the length of the limited warranty period. The limited warranties set forth herein are limited to the first and original buyer and are not transferable thereafter. In no event shall the manufacturer be liable for incidental or consequential damages to the purchaser or to any third party, including, without limitation, damages arising from personal injury, lost profits, loss of business opportunity, loss of property, economic losses, or statutory or exemplary damages, whether from negligence, warranty, strict liability or otherwise.

Some states do not allow the exclusion or limitation of incidental or consequential damages, or limitations on how long an implied warranty lasts, so the above limitations and exclusions may not apply to you. This warranty gives you specific legal rights, and you may also have other rights, which vary from state to state.

CLAIMS

All warranty, missing, or damage claims for cabinets and accessories must be initiated with the Customer Care Team. Please be ready with your order number and a detailed description of any issue present in the cabinets and accessories. Customer Care will determine at their discretion, to either replace defective cabinets and accessories or repair any defects in the cabinets and accessories.

LOST OR DAMAGED NO-CHARGE REPLACEMENT PARTS

As with any manufactured and shipped product, transportation damage and defects may occur. Should the unexpected arise, we are here to help. Follow our lost or damaged replacement part process below to ensure your customer has everything they need for their project.

- Have your customer check-in and inspect all cabinetry upon delivery
- Report any shortages or missing items to our Customer Care team within 60 days of delivery
- Report any defects or shipping damages to our Customer Care team within 90 days of delivery

When contacting Customer Care for a no-charge replacement, please ensure you have the original order number and a detailed description of the issue. We will work to get any replacements out to you as quickly as possible.

CONTINUOUS IMPROVEMENT

In keeping with our policy of continuous improvement, allen+roth cabinetry reserves the right to change specifications in design and materials as conditions require.

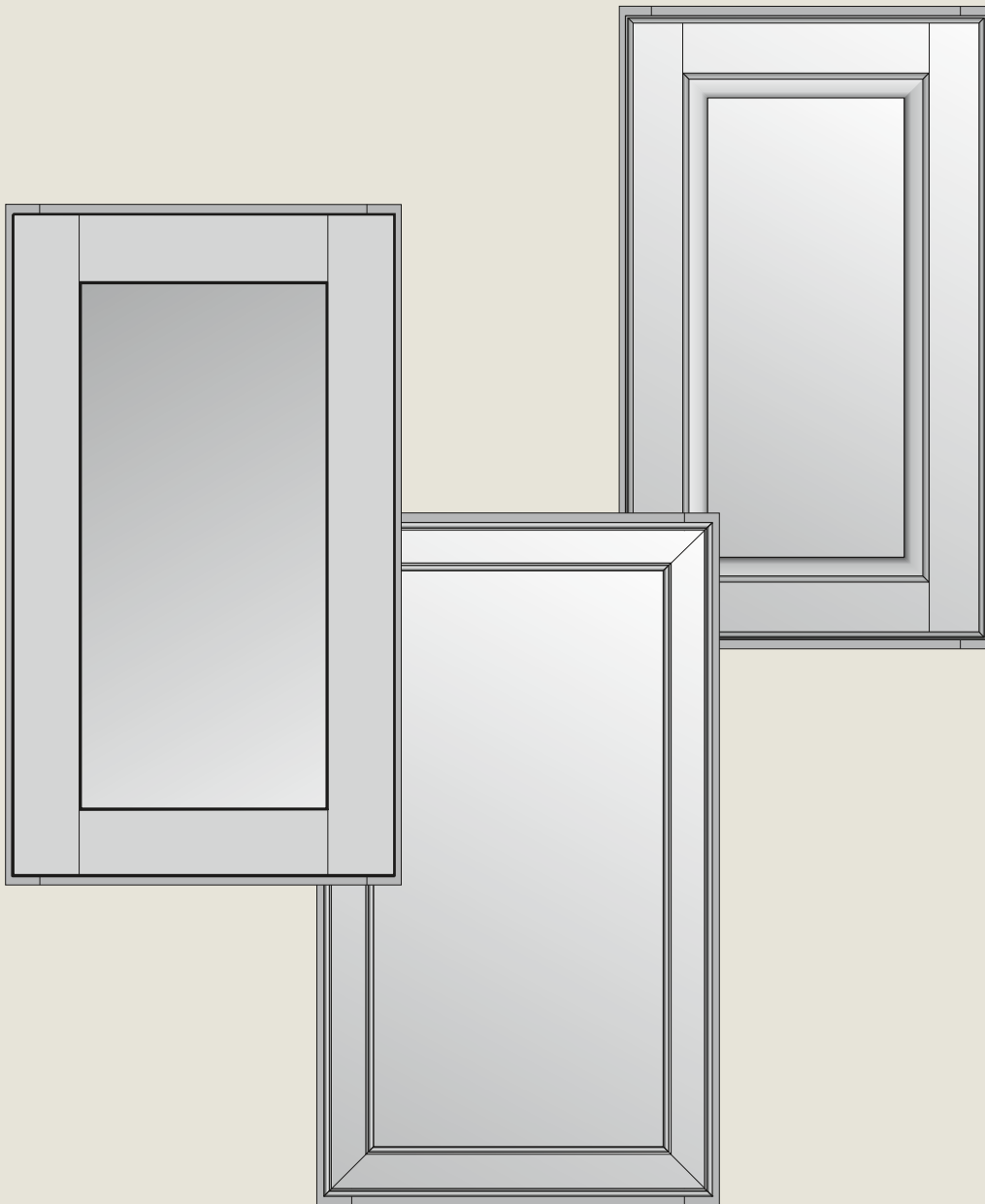
INFORMATION

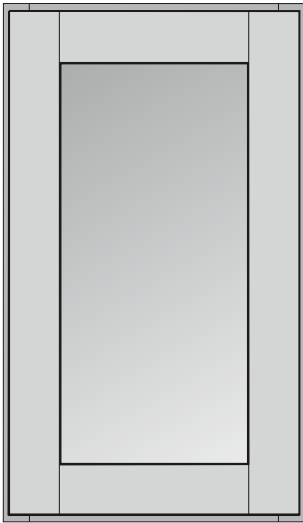
If you would like clarification about any of our products or processes, please call your exclusive allen+roth Customer Care Department at 855-768-4292.

Monday – Friday: 8:00 am – 8:00 pm EST

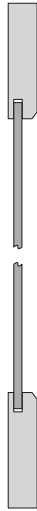
Saturday: 10:00 am – 2:00 pm EST

Door Styles





Door



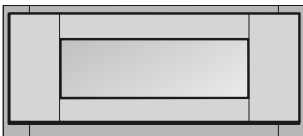
Door
Cross Section



Kneehole Drawer Front



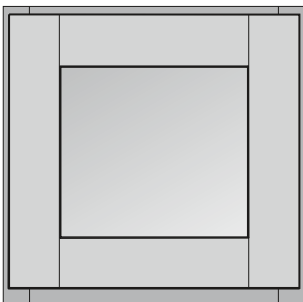
Kneehole Drawer
Cross Section



Standard Drawer Front



Standard Drawer
Cross Section



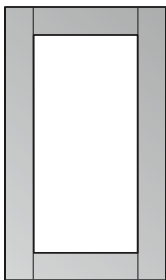
Large Drawer Front



Large Drawer
Cross Section

Specialty Door (SD) Availability:

See pages 34–35 for details and restrictions.



OFD

CONSTRUCTION NOTES

Door Panel: Recessed Panel

Drawer Front: 5-Piece Recessed Panel

Door Style: Square

Overlay: Full Overlay

Tall Door Details: No Center Rail on 50" High Doors

Door Stile Width: 3"

Door Rail Width: 3"

AVELEY

Bright White Paint

STYLE CODE

essential: 60MPS

select: 61MPS

luxury: 62MPS

GALWAY

Cool Dark Green Paint

STYLE CODE

essential: 60FCS

select: 61FCS

luxury: 62FCS

INNSBROOK

Warm Light Wood Stain

STYLE CODE

essential: 60MTS

select: 61MTS

luxury: 62MTS

PORT

Dark Blue Paint

STYLE CODE

essential: 60FBS

select: 61FBS

luxury: 62FBS

STONEWALL

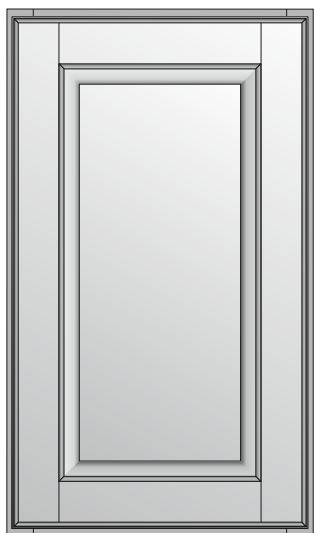
Medium Cool Gray Paint

STYLE CODE

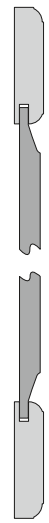
essential: 60MYS

select: 61MYS

luxury: 62MYS



Door



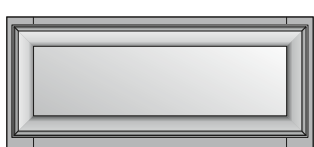
Door
Cross Section



Kneehole Drawer Front



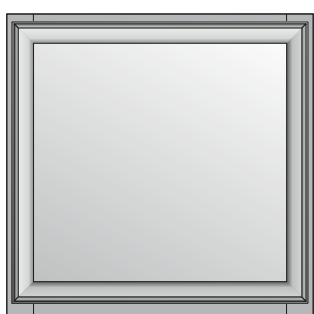
Kneehole Drawer
Cross Section



Standard Drawer Front



Standard Drawer
Cross Section



Large Drawer Front



Large Drawer
Cross Section

CONSTRUCTION NOTES

- Door Panel: Raised Panel
- Drawer Front: Decorative Raised Slab
- Door Style: Square
- Overlay: Full Overlay
- Tall Door Details: Center Rail on 50" High Doors
- Door Stile Width: 3"
- Door Rail Width: 3"

PATTINGHAM

Soft Warm Gray Paint

STYLE CODE

- essential: 63MKS
- select: 64MKS
- luxury: 65MKS

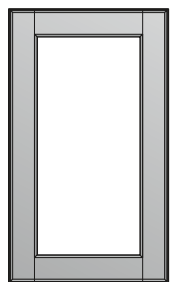
TILSON NEW! DOOR STYLE

Bright White Paint

STYLE CODE

- essential: 63MPS
- select: 64MPS
- luxury: 65MPS

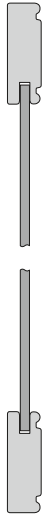
Specialty Door (SD) Availability:
See pages 34–35 for details and restrictions.



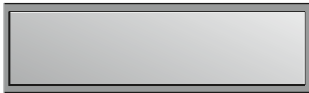
OFD



Door



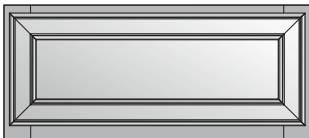
Door
Cross Section



Kneehole Drawer Front



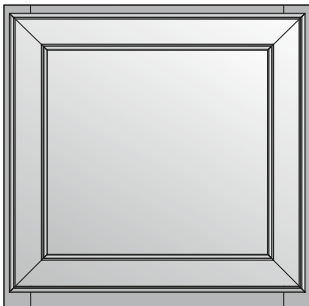
Kneehole Drawer
Cross Section



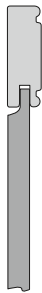
Standard Drawer Front



Standard Drawer
Cross Section



Large Drawer Front



Large Drawer
Cross Section

CONSTRUCTION NOTES

Door Panel: Mitered Flat Panel

Drawer Front: 5-Piece Mitered Flat Panel

Door Style: Square

Overlay: Full Overlay

Tall Door Details: No Center Rail on 50" High Doors

Door Stile Width: 2 1/4"

Door Rail Width: 2 1/4"

HEATHROW **NEW!** DOOR STYLE

Cool Dark Green Paint

STYLE CODE

essential: 71FCS

select: 72FCS

luxury: 73FCS

MCKELLER

Bright White Paint

STYLE CODE

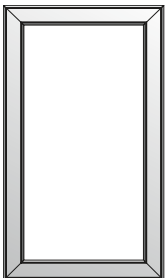
essential: 71MPS

select: 72MPS

luxury: 73MPS

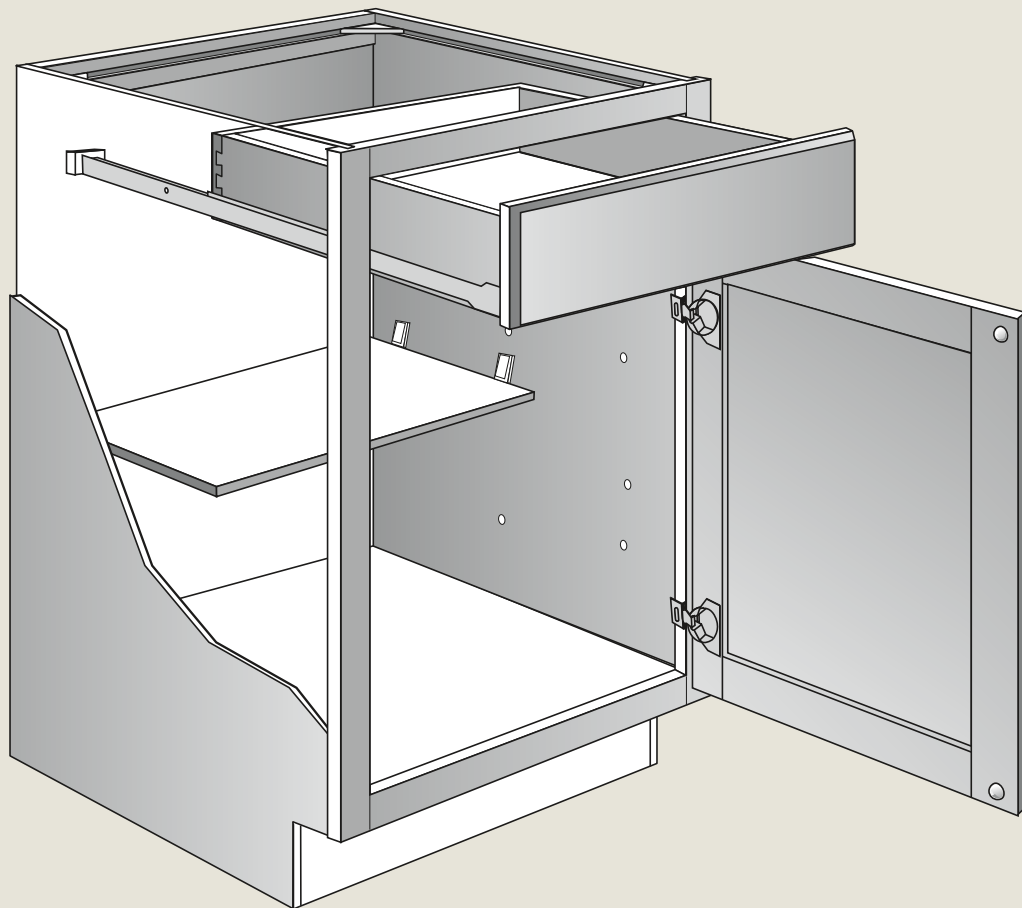
Specialty Door (SD) Availability:

See pages 34–35 for details and restrictions.



OFD

Standard Cabinet Specifications



KCMA CERTIFIED

All cabinetry manufactured by American Woodmark Corporation is certified by the Kitchen Cabinet Manufacturers Association (KCMA).

KCMA sets the American National Standards Institute/ KCMA 161.1- 2000 uniform performance and construction standards for kitchen cabinets. The program is referenced by U.S. Government Agencies, architects, builders, remodelers and other specifiers.

Cabinets that bear the KCMA seal of certification are recognized as a quality product with the ability to perform after a rigorous battery of tests, simulating years of typical household use. Tests are performed by approved third-party independent laboratories.

American Woodmark Corporation, the manufacturer of allen + roth cabinetry is proud to display the KCMA seal of certification for cabinet construction.



ENVIRONMENTALLY RESPONSIBLE STEWARDSHIP

As a leading U.S. manufacturer of fine cabinetry, American Woodmark Corporation is committed to conducting business in a manner that both protects the environment and safeguards public health and safety. To achieve this end, the company proactively identifies potential environmental risks and monitors compliance with appropriate federal, state, local and internal standards.

The company has received certification by the Kitchen Cabinet Manufacturers Association (KCMA) Environmental Stewardship Program on all products. The certification was awarded based on compliance across a broad range of activity including air quality, product resource management, process resource management, environmental stewardship and community relations.

The company works with all suppliers to encourage sustainable forestry practices. Particle board and plywood are purchased from suppliers that meet the Composite Panel Association requirements for Environmentally Preferable Products including formaldehyde emissions that comply with ANSI Standards.

The company uses leading edge technologies to limit both hazardous and non-hazardous emissions, byproducts, and waste. Ongoing, formal programs identify opportunities for recycling and reusing materials. When waste ultimately requires disposal, steps are taken to minimize the environmental impact.

The American Woodmark Foundation supports local programs serving the community, including activities focused on maintaining the quality of life.

Our company is dedicated to doing our part in the preservation and sustainability of the environment.



KITCHEN CABINET MANUFACTURERS ASSOCIATION
ENVIRONMENTAL STEWARDSHIP PROGRAM (ESP)
ALL PRODUCTS IMPACT THE ENVIRONMENT
FOR ESP PROGRAM CRITERIA, VISIT KCMA.ORG

FINISHING SYSTEMS

The finishing systems used on our products are designed to ensure the beauty and durability of our cabinetry. State-of-the-art equipment allows precise sanding, filling and finish coverage of each of our products.

ENVIRONMENTALLY RESPONSIBLE FINISHING

Our panel finishing system uses only water-based paints and fillers, yielding neither hazardous waste nor water contamination. Our acrylic and urethane materials are 100% solids, dried using high intensity lights, yielding no atmospheric emissions. Our products are extremely resistant to stains and surface damage that can be caused by common household chemicals. Our products exceed KCMA and ANSI standards for resistance to stains like coffee, grape juice and moisture.

CONTINUOUS IMPROVEMENT

In keeping with our policy of continuous product refinement, American Woodmark Corporation reserves the right to change specifications in design and materials as conditions require.

CABINET CARE

Remove dust from cabinets frequently with a soft lint-free cloth. The cloth may be slightly dampened with water. Wood cabinet surfaces may be polished once every few months with a high quality, non-oil-based furniture polish. Do not use a paste wax type material. Wax buildup is difficult to remove and will leave a residue that attracts dust and moisture. Polishes containing silicon should not be used. Clean spills immediately. Use a clean cloth and mild soap if necessary. Wipe dry with a clean soft cloth. Do not use detergents, citrus or ammonia based cleaners, steel wool, soap pads or abrasive cleaners on cabinets.

Extra care should be taken that cabinet finishes are not exposed to heat in excess of 200° Fahrenheit. Do not place or mount small appliances beneath wall cabinets. These appliances (such as coffee makers and toasters) can produce excessive heat and moisture, which can damage the finish of cabinets. Do not expose doors or drawer fronts to heat created from self-cleaning ovens or ranges.

ALLOW CABINETS TO AGE BEAUTIFULLY

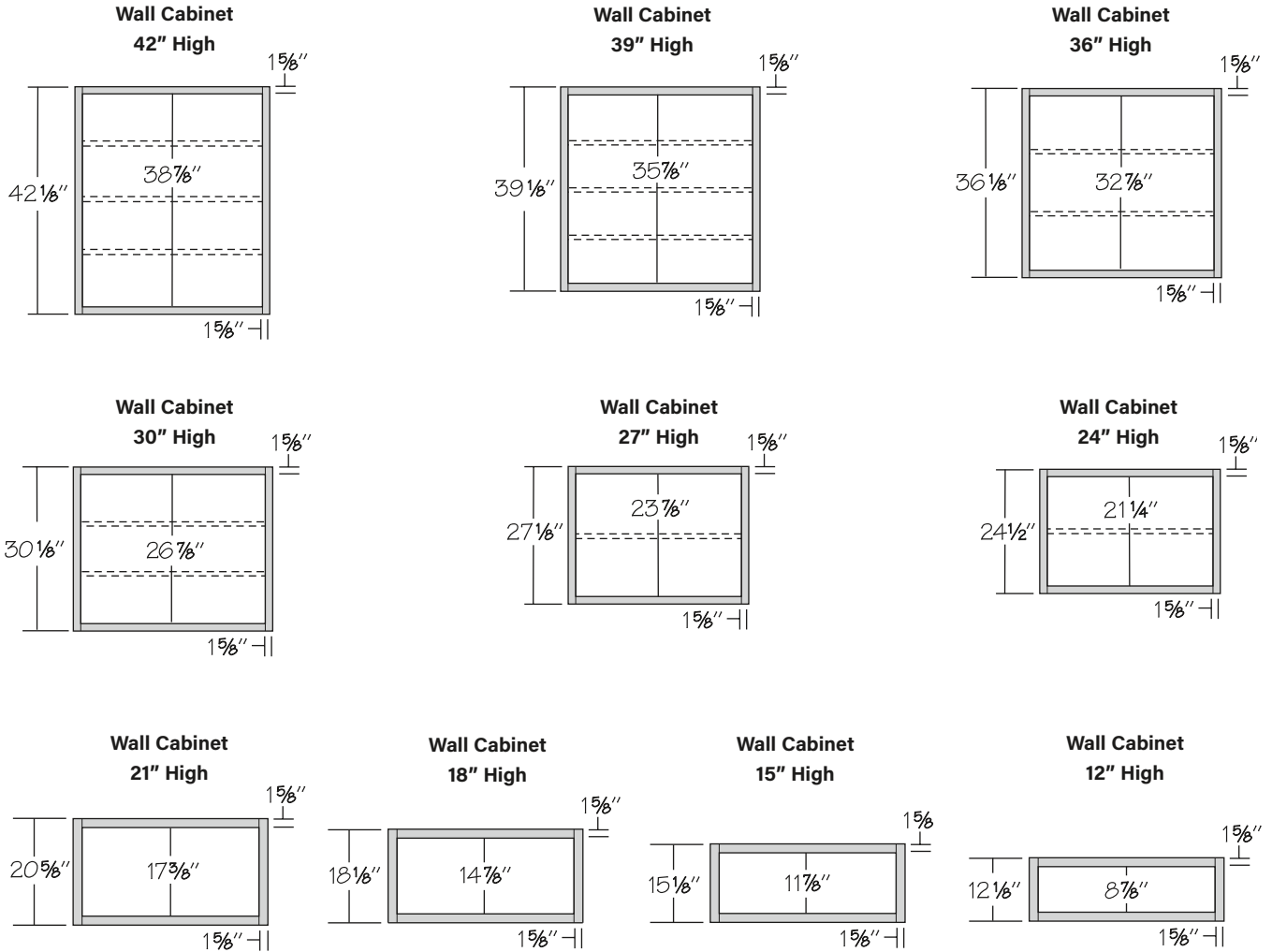
Our cabinets represent the careful selection of woods. While every effort is made to match woodgrain as closely as possible, no two pieces of wood are exactly alike, even from the same tree. These differences in natural color and grain mean that each piece will respond differently to the finishing materials used. For example, close-grained woods absorb less and will vary in color from more open-grained pieces from the very same tree. It's these variations that contribute to the beauty and distinction of quality wood products. However, exposure to sunlight, smoke and chemicals may cause some materials to fade, darken or vary from their original color over time.

This is why cabinets, doors, drawer fronts and accessories added at a later date may not exactly match cabinets installed now. For the same reasons, door samples or displays may not represent the exact color of cabinets received at the time of shipment. Consumers should also read all cleaning agent instructions carefully before application.

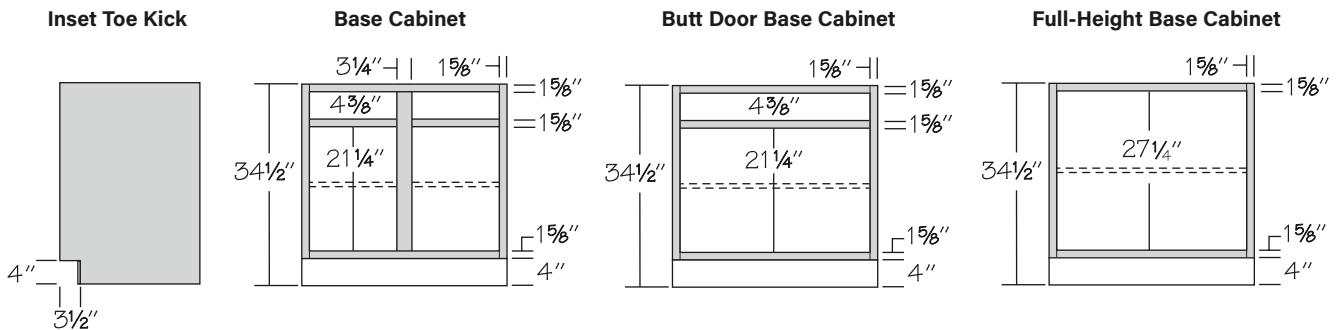
Due to changes that occur from natural and environmental factors a cabinet is exposed to over its lifetime, we cannot be responsible for variations that occur in the finish of wood cabinets as they age.

These illustrations specify dimensions of vertical stiles, horizontal rails, inset toe kick, cabinet heights and standard interior opening heights for Wall, Base, Vanity, Desk and Tall cabinets. Cabinets 39" or wider will feature a 3 1/4" center stile.

Wall Cabinets



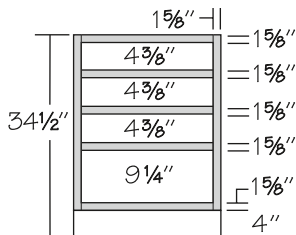
Base Cabinets



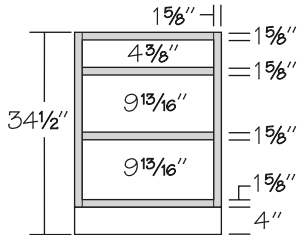
Inset toe kick construction requires BTK8 matching toe kick – must be ordered separately.

Drawer Base Cabinets

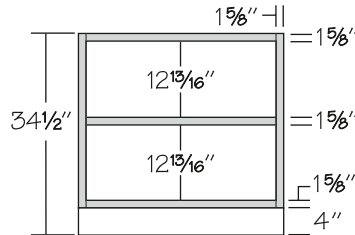
4 Drawer Base Cabinet



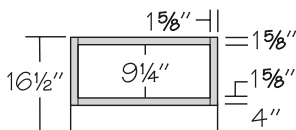
3 Drawer Base Cabinet



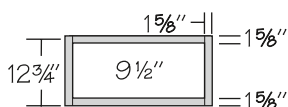
2 Drawer Base Cabinet



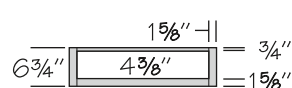
Pedestal Drawer Cabinet



Furniture Drawer Cabinet
12" High

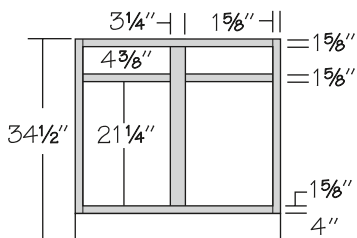


Furniture Drawer Cabinet
6" High

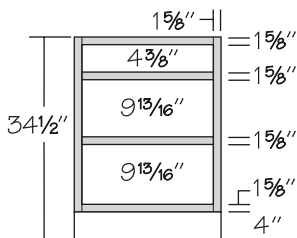


Vanity Cabinets

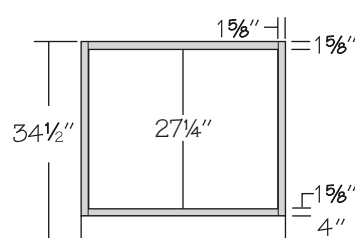
Vanity Base Cabinet
Base Height



Vanity Drawer Base
Base Height

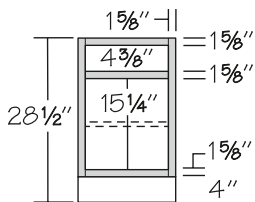


Vanity Full-Height
Base Cabinet

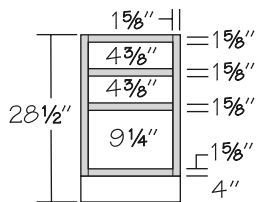


Desk Cabinets

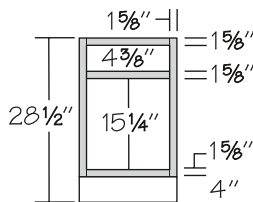
Desk Base Cabinet



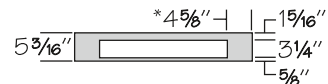
Desk Drawer Cabinet



Desk File Pull Out



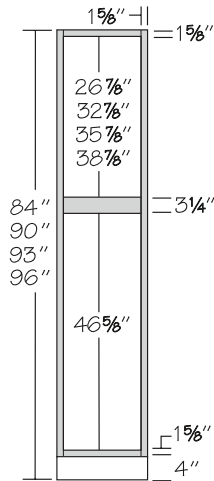
Kneehole Drawer*



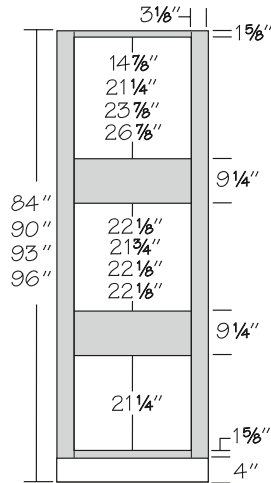
Trimable in height to 4 3/4"
*Dimension for KDC36/33 is 3 1/8"

Tall Cabinets

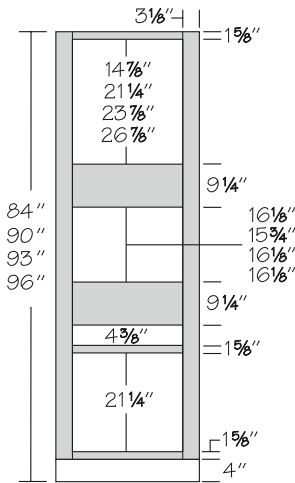
Utility/Vanity Linen Cabinet
2 Doors or 4 Butt Doors



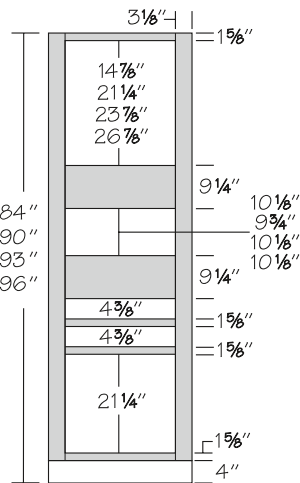
Single Oven Cabinet
4 Butt Doors*



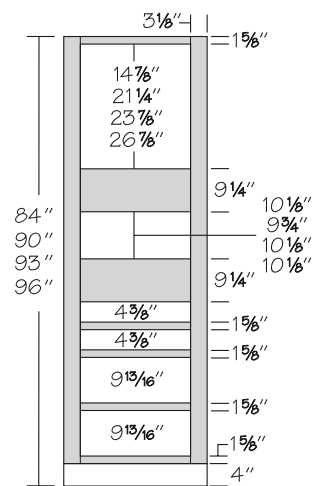
Single Oven Cabinet
4 Butt Doors, 1 Drawer*



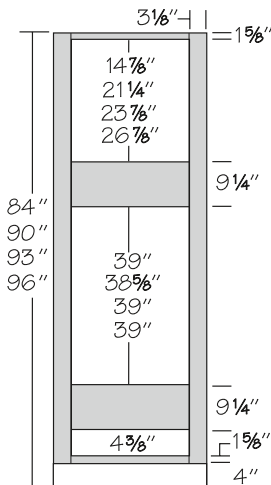
Single Oven Cabinet
4 Butt Doors, 2 Drawers*



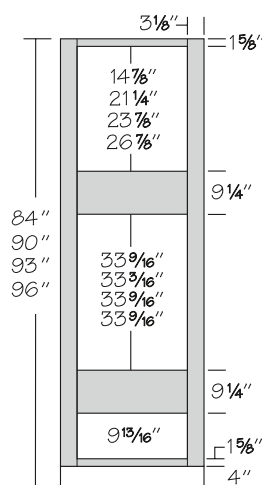
Single Oven Cabinet
2 Butt Doors, 4 Drawers*



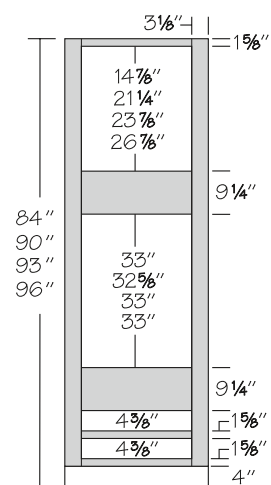
Double Oven Cabinet
1 Drawer*



Double Oven Cabinet
2 Butt Doors, 1 Large Drawer*

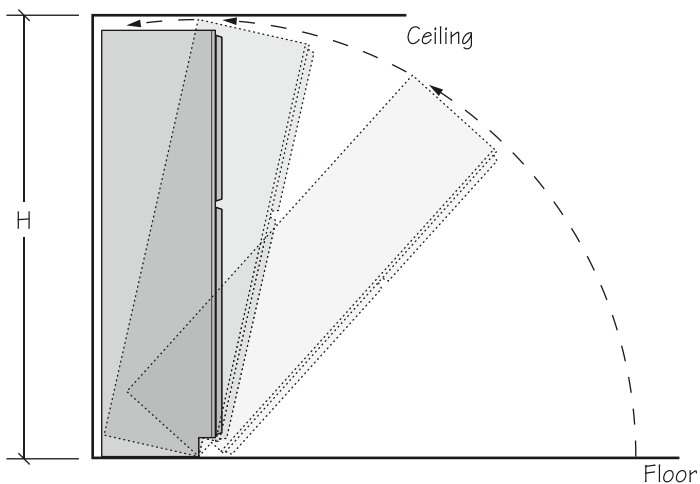


Double Oven Cabinet
2 Butt Doors, 2 Drawers*



*Actual height of oven opening shown. For actual width, maximum width and maximum height dimensions, please refer to Cut Out Dimensions Chart in specific cabinet SKU box.

Ceiling Height Requirements for Tall Cabinets



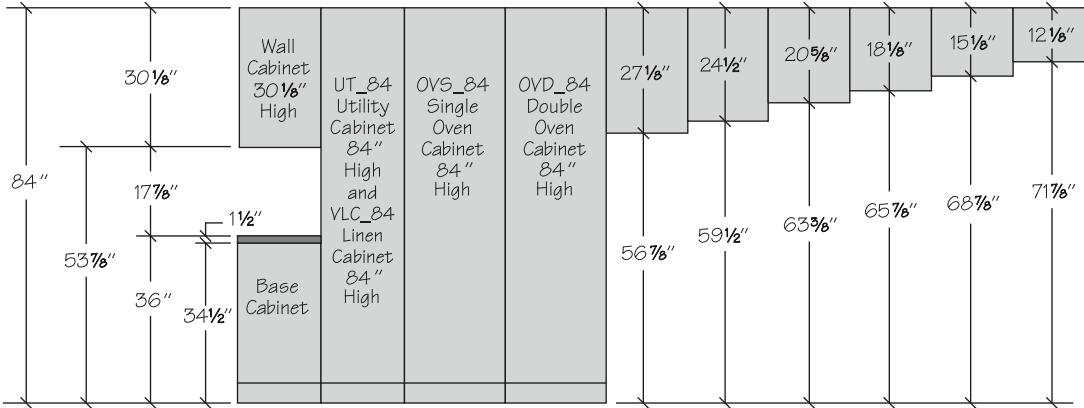
Notes:

- 93" and 96" high Utility cabinets have 4" toe kick assembly shipped inside cabinet.

| Cabinet Height | Cabinet Depth | Minimum Ceiling Height H |
|----------------|----------------------------------|------------------------------------|
| 84" | 12" | 84 ⁹ / ₁₆ " |
| 84" | 18" | 85 ¹ / ₄ " |
| 84" | 20 ³ / ₄ " | 85 ¹³ / ₁₆ " |
| 84" | 24" | 86 ¹ / ₂ " |
| 90" | 12" | 90 ¹ / ₂ " |
| 90" | 18" | 91 ⁵ / ₁₆ " |
| 90" | 24" | 92 ⁵ / ₁₆ " |
| 93" | 12" | 93" |
| 93" | 18" | 93" |
| 93" | 24" | 93" |
| 96" | 12" | 96" |
| 96" | 18" | 96" |
| 96" | 24" | 96" |

These illustrations specify dimensions of the height guidelines for top alignment of Wall and Tall (Linen, Utility and Oven) cabinets installation.

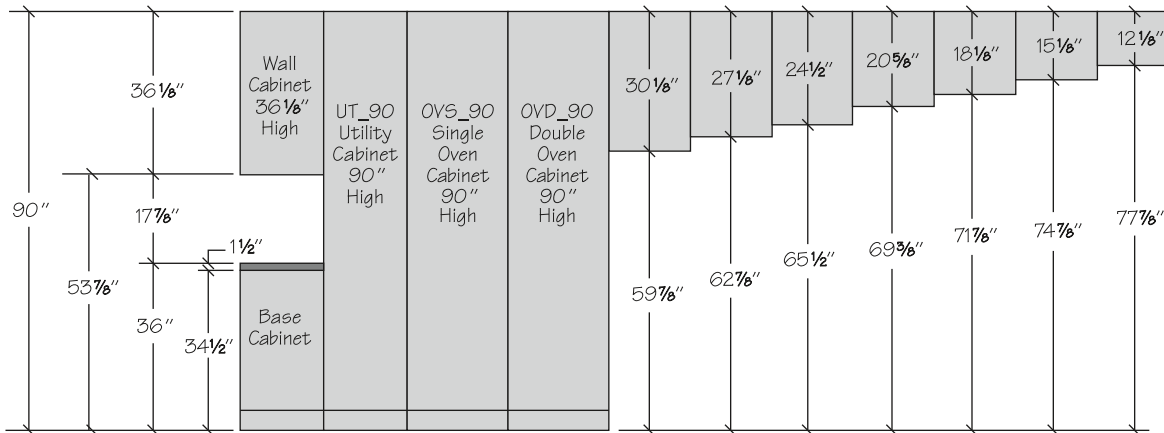
84" Top Alignment Cabinet Installation



Notes:

- 84" top alignment cabinet installation includes standard Wall cabinets (30 1/8" high) installed 53 7/8" above the finished floor, allowing 17 7/8" clearance between the Wall cabinets and a standard countertop height of 36" - dimensions are for reference only, refer to local building codes to ensure compliance.
- Tall cabinetry (Linen, Utility and Oven) is 84" high.
- **When selecting cabinetry for installation above or near any appliance, refer to the appliance manufacturer's specifications for clearance and venting requirements.**

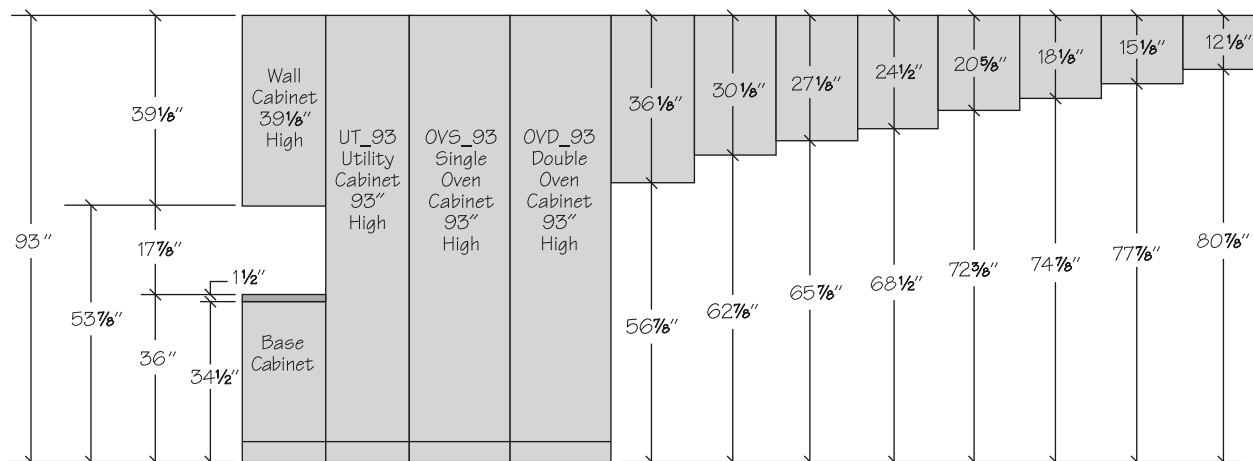
90" Top Alignment Cabinet Installation



Notes:

- 90" top alignment cabinet installation includes taller Wall cabinets (36 1/8" high) installed 53 7/8" above the finished floor, allowing 17 7/8" clearance between the Wall cabinets and a standard countertop height of 36" - dimensions are for reference only, refer to local building codes to ensure compliance.
- Tall cabinetry (Utility and Oven) is 90" high.
- **When selecting cabinetry for installation above or near any appliance, refer to the appliance manufacturer's specifications for clearance and venting requirements.**

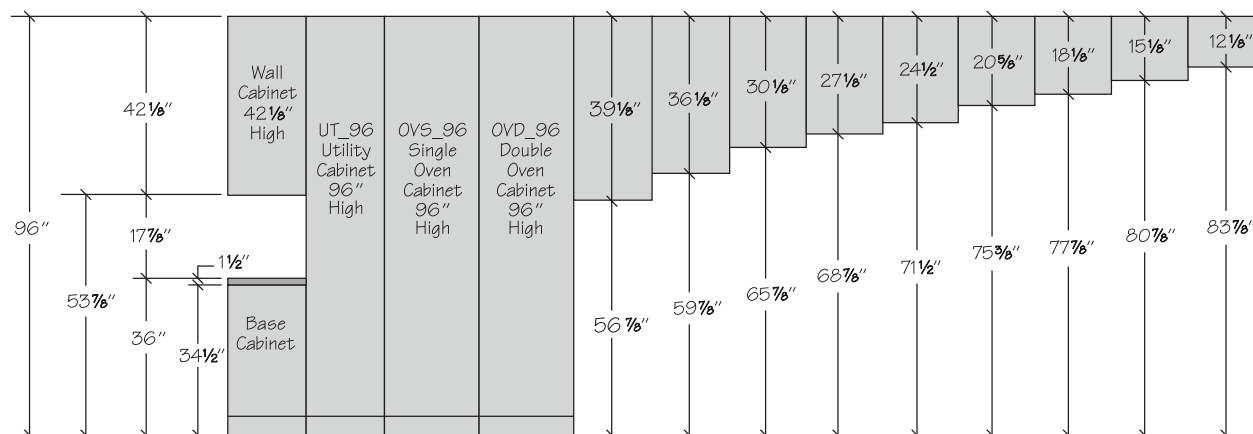
93" Top Alignment Cabinet Installation



Notes:

- 93" top alignment cabinet installation includes Wall cabinets (39 1/8" high) installed 56 7/8" above the finished floor, allowing 17 7/8" clearance between the Wall cabinets and a standard countertop height of 36" - dimensions are for reference only, refer to local building codes to ensure compliance.
- Tall cabinetry (Utility and Oven) is 93" high.
- **When selecting cabinetry for installation above or near any appliance, refer to the appliance manufacturer's specifications for clearance and venting requirements.**

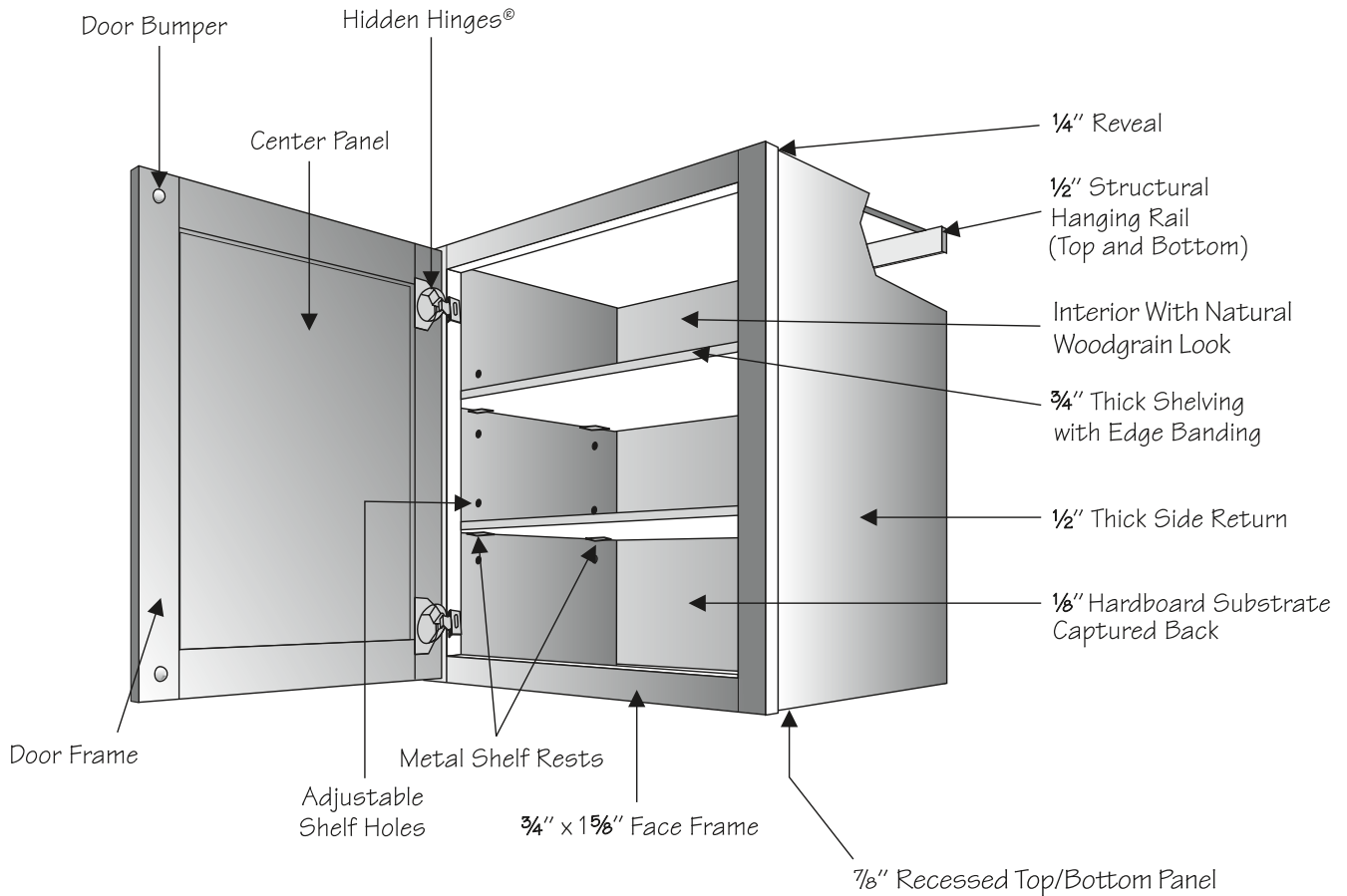
96" Top Alignment Cabinet Installation



Notes:

- 96" top alignment cabinet installation includes Wall cabinets (42 1/8" high) installed 53 7/8" above the finished floor, allowing 17 7/8" clearance between the Wall cabinets and a standard countertop height of 36" - dimensions are for reference only, refer to local building codes to ensure compliance.
- Tall cabinetry (Utility and Oven) is 96" high.
- **When selecting cabinetry for installation above or near any appliance, refer to the appliance manufacturer's specifications for clearance and venting requirements.**

essential wall construction



CABINET FACE FRAMES

Cabinet front face frames are made from $\frac{3}{4}$ " x $1\frac{5}{8}$ " kiln-dried solid wood and/or engineered materials to prevent warping and provide superior strength, durability and finished appearance. Face frame joints are precision fixtured, pressure fitted and mechanically fastened.

CABINET SIDE PANELS

Cabinet side panels are $\frac{1}{2}$ " thick engineered wood. The exterior sides match the cabinet finish and interior sides are finished with a natural woodgrain look. They are captured into a grooved front face frame and secured using high-strength fasteners and glue.

HINGES

Fully-concealed, 6-way adjustable, self-closing Hidden Hinges.

CABINET TOPS, BOTTOMS AND FLOORS

Tops, bottoms and floors are $\frac{1}{2}$ " thick engineered wood. The exteriors and interiors are finished with a natural woodgrain look. They are fitted and glued into the cabinet front face frame grooves, then captured in the grooves of the cabinet side panels.

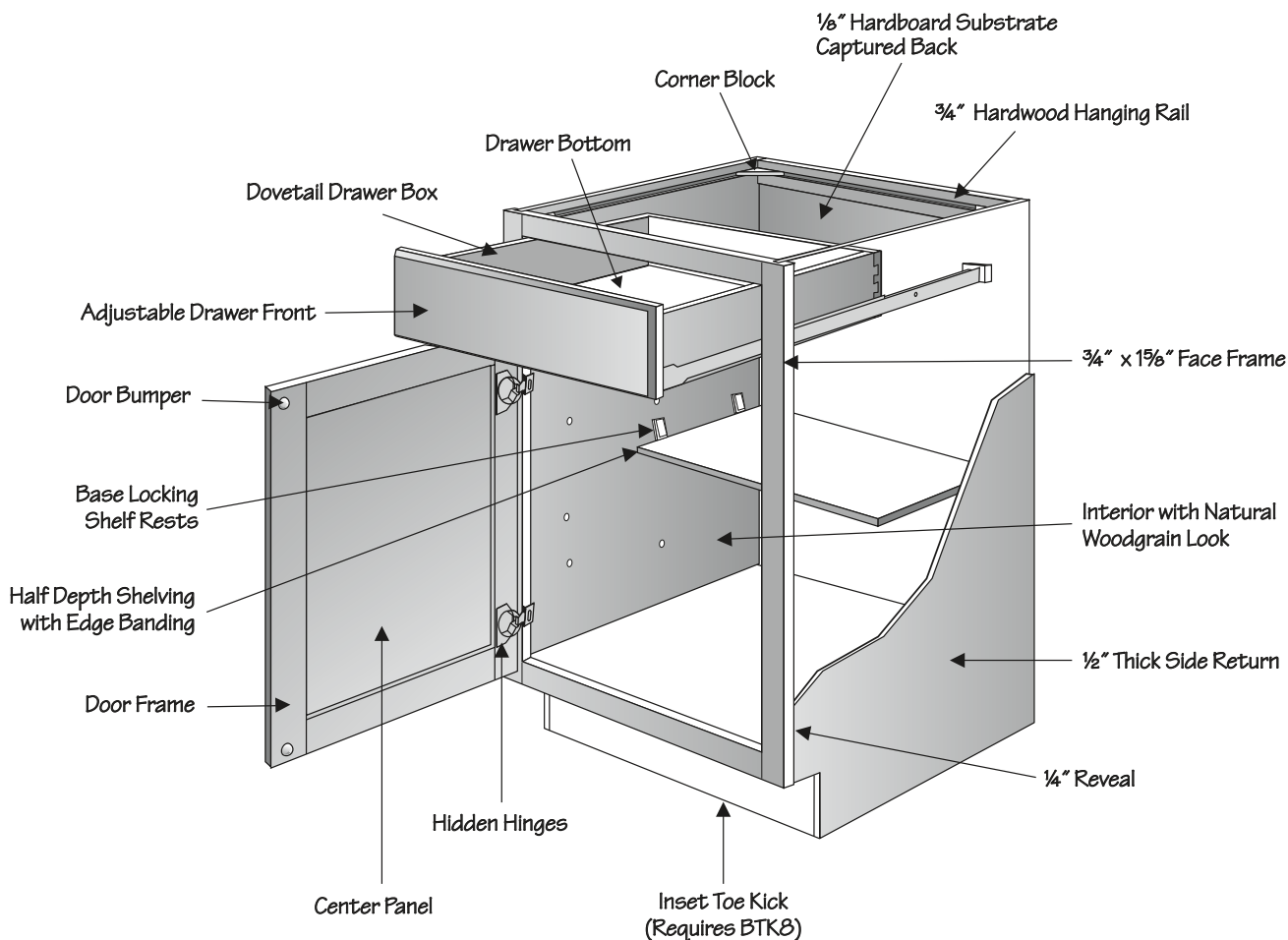
CABINET BACK

The cabinet back is made from $\frac{1}{8}$ " thick hardboard substrate. The inside cabinet surface is finished in a natural woodgrain look.

HANGING RAILS

The base hanging rail is $\frac{3}{4}$ " thick hardwood, mortise and tenon joined and glued to the cabinet side panels. The wall cabinet hanging rails are $\frac{1}{2}$ " thick engineered wood, glued and pinned into the cabinet back, cabinet side panels and top/bottom.

essential base construction



DRAWER SYSTEMS

All standard drawers are 5/8" thick 18" deep dovetail hardwood with fully captured bottoms and side-mounted drawer glides. All drawers meet KCMA load standards of 15 pounds per square foot.

DEEP ROLL OUT TRAYS

Deep Roll Out Trays utilize natural finish dovetail hardwood drawers with MDF bottoms. Trays meet KCMA load standards of 15 pounds per square foot. Deep Roll Out Trays feature side-mounted 3/4" access drawer glides.

CORNER BLOCKS

Corner blocks are attached to help ensure cabinet squareness and allow for proper countertop installation.

CABINET SHELVES

Cabinet shelves are 3/4" thick engineered wood. The shelves are finished in a natural woodgrain look and are banded on one side with PVC edge banding. Tall and Standard Wall cabinets feature full-depth shelves. Base, Desk and Wall Refrigerator cabinets feature half-depth shelves. All shelves are adjustable and meet KCMA load standards of 15 pounds per square foot.

SHELF RESTS

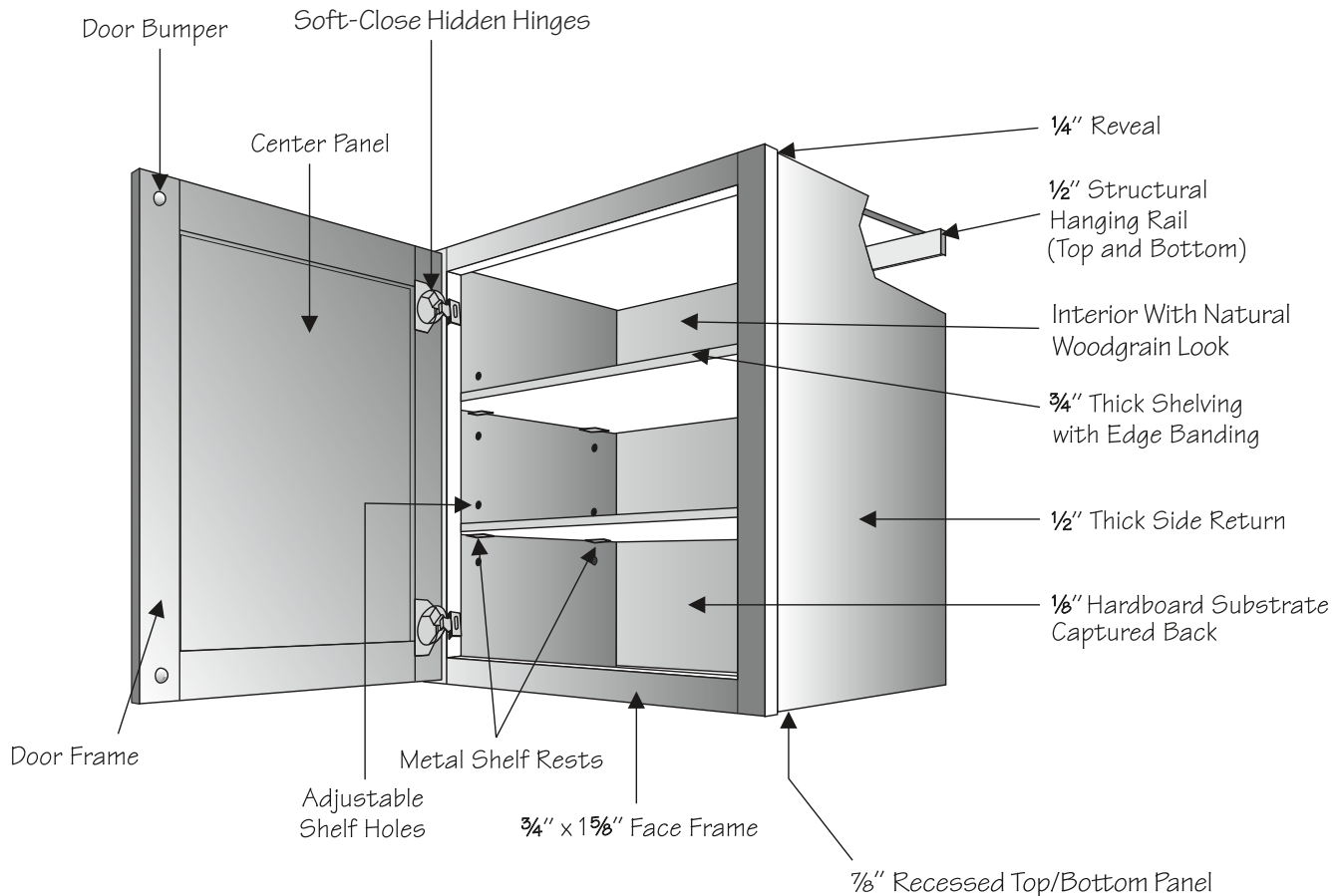
Nickel plated 1/4" steel metal shelf rests are standard on all Wall cabinets and Bookshelves. Clear high-strength polycarbonate clip lock shelf rests are standard on all Base, Desk and Tall cabinets. Clip lock shelf rests lock shelves in place, prevent sliding and allow for easy shelf removal.

INSET TOE KICK

Inset toe kicks are constructed of 1/2" thick unfinished engineered wood and are 4" high and recessed 3 1/2".

BTK8 (matching toe kick) required for installation.

select wall construction



CABINET FACE FRAMES

Cabinet front face frames are made from $\frac{3}{4}$ " x $1\frac{5}{8}$ " kiln-dried solid wood and/or engineered materials to prevent warping and provide superior strength, durability and finished appearance. Face frame joints are precision fixtured, pressure fitted and mechanically fastened.

CABINET SIDE PANELS

Cabinet side panels are $\frac{1}{2}$ " thick engineered wood. The exterior sides match the cabinet finish and interior sides are finished with a natural woodgrain look. They are captured into a grooved front face frame and secured using high-strength fasteners and glue.

HINGES

Fully-concealed, 6-way adjustable Soft-Close Hidden Hinges.

CABINET TOPS, BOTTOMS AND FLOORS

Tops, bottoms and floors are $\frac{1}{2}$ " thick engineered wood. The exteriors and interiors are finished with a natural woodgrain look. They are fitted and glued into the cabinet front face frame grooves, then captured in the grooves of the cabinet side panels.

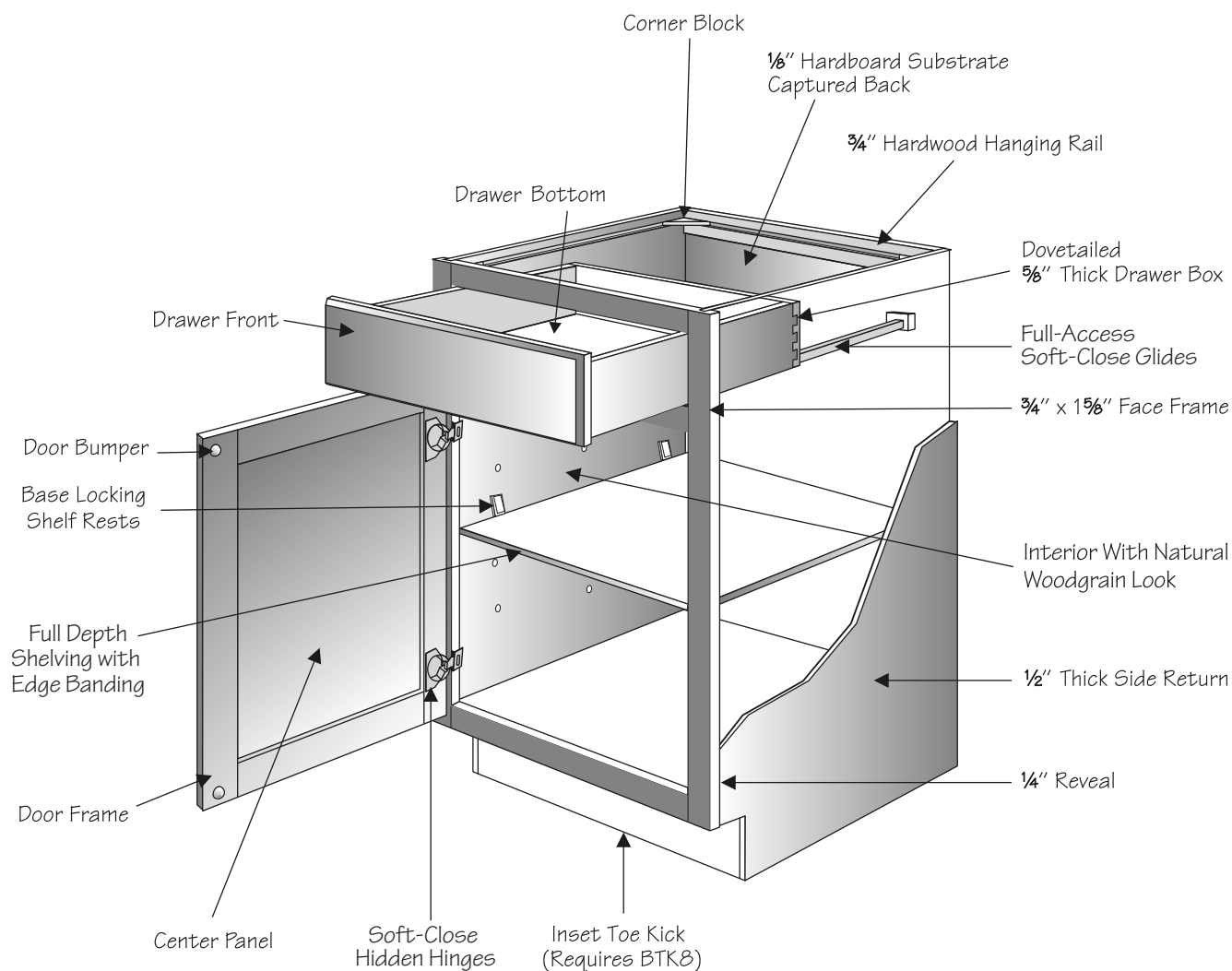
CABINET BACK

The cabinet back is made from $\frac{1}{8}$ " thick hardboard substrate. The inside cabinet surface is finished in a natural woodgrain look.

HANGING RAILS

The base hanging rail is $\frac{3}{4}$ " thick hardwood, mortise and tenon joined and glued to the cabinet side panels. The wall cabinet hanging rails are $\frac{1}{2}$ " thick engineered wood, glued and pinned into the cabinet back, cabinet side panels and top/bottom.

select base construction



DRAWER SYSTEMS

All standard drawers are 5/8" thick 21" deep dovetail hardwood with fully captured bottoms and Full-Access Soft-Close glides. All drawers meet KCMA load standards of 15 pounds per square foot.

DEEP ROLL OUT TRAYS

Deep Roll Out Trays utilize natural finish dovetail hardwood drawers with MDF bottoms. Trays meet KCMA load standards of 15 pounds per square foot. Deep Roll Out Trays feature Full-Access Soft-Close glides.

CORNER BLOCKS

Corner blocks are attached to help ensure cabinet squareness and allow for proper countertop installation.

CABINET SHELVES

Cabinet shelves are full-depth 3/4" thick engineered wood. The shelves are finished in a natural woodgrain look and are banded on one side with PVC edge banding. All shelves are adjustable and meet KCMA load standards of 15 pounds per square foot.

SHELF RESTS

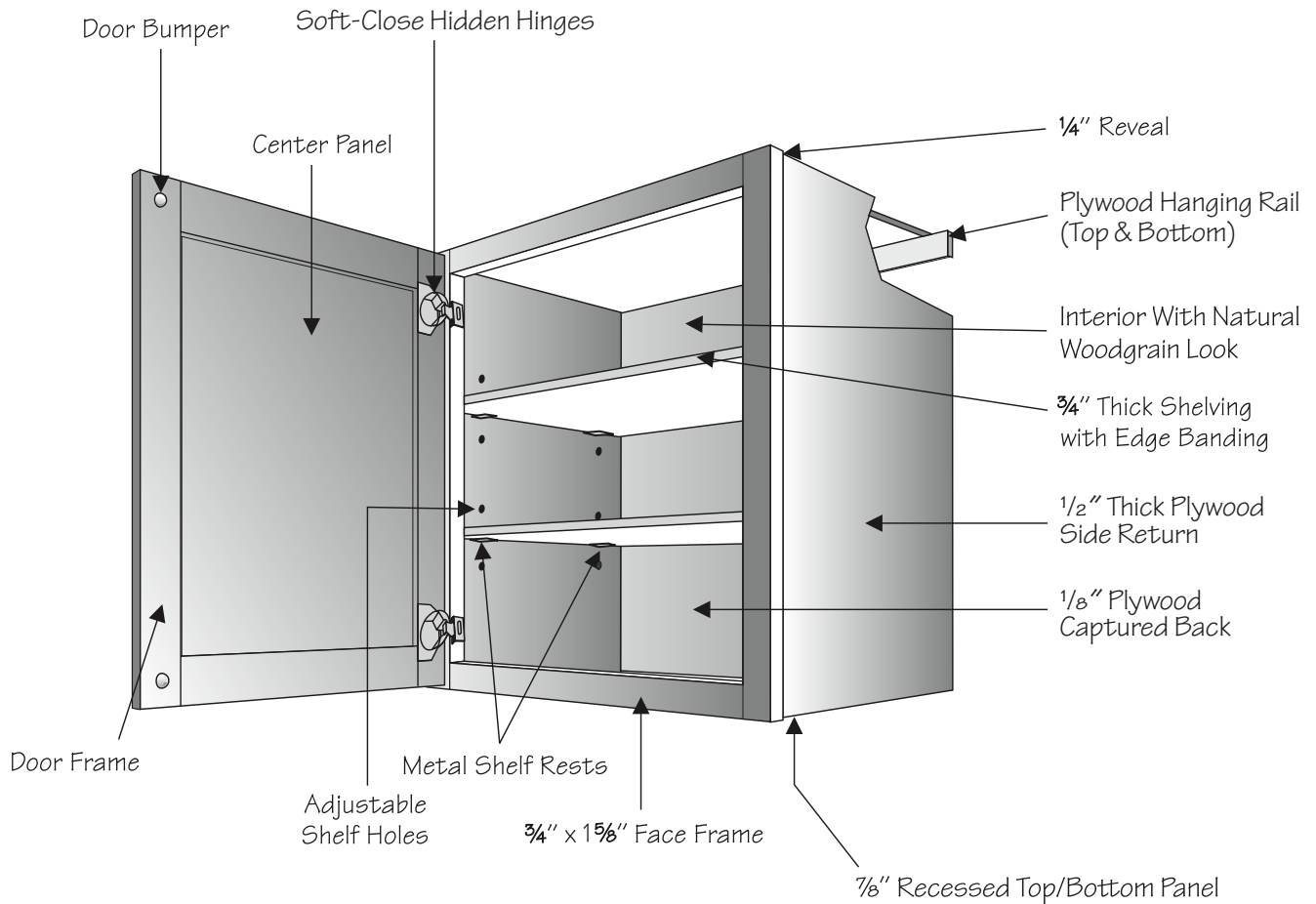
Nickel plated 1/4" steel metal shelf rests are standard on all Wall cabinets and Bookshelves. Clear high-strength polycarbonate clip lock shelf rests are standard on all Base, Desk and Tall cabinets. Clip lock shelf rests lock shelves in place, prevent sliding and allow for easy shelf removal.

INSET TOE KICK

Inset toe kicks are constructed of 1/2" thick **unfinished** engineered wood and are 4" high and recessed 3 1/2".

BTK8 (matching toe kick) required for installation.

luxury wall construction



CABINET FRONT FACE FRAMES

Cabinet front face frames are made from $\frac{3}{4}$ " x $1\frac{5}{8}$ " kiln-dried solid wood and/or engineered materials to prevent warping and provide superior strength, durability and finished appearance. Face frame joints are precision fixtured, pressure fitted and mechanically fastened.

CABINET SIDE PANELS

Cabinet side panels are $\frac{1}{2}$ " thick plywood. The exterior sides match the cabinet finish and the interior sides are finished with a natural woodgrain look. They are captured into a grooved front face frame and secured using high-strength fasteners and glue.

HINGES

Fully-concealed, 6-way adjustable Soft-Close Hidden Hinges.

CABINET TOPS, BOTTOMS AND FLOORS

Tops, bottoms and floors are $\frac{1}{2}$ " thick plywood. They are finished with natural woodgrain look. They are fitted and glued into the cabinet front face frame grooves, then captured in the grooves of the cabinet side panels.

CABINET BACK

The cabinet back is made from $\frac{1}{8}$ " thick plywood. The inside cabinet surface is finished with natural woodgrain look.

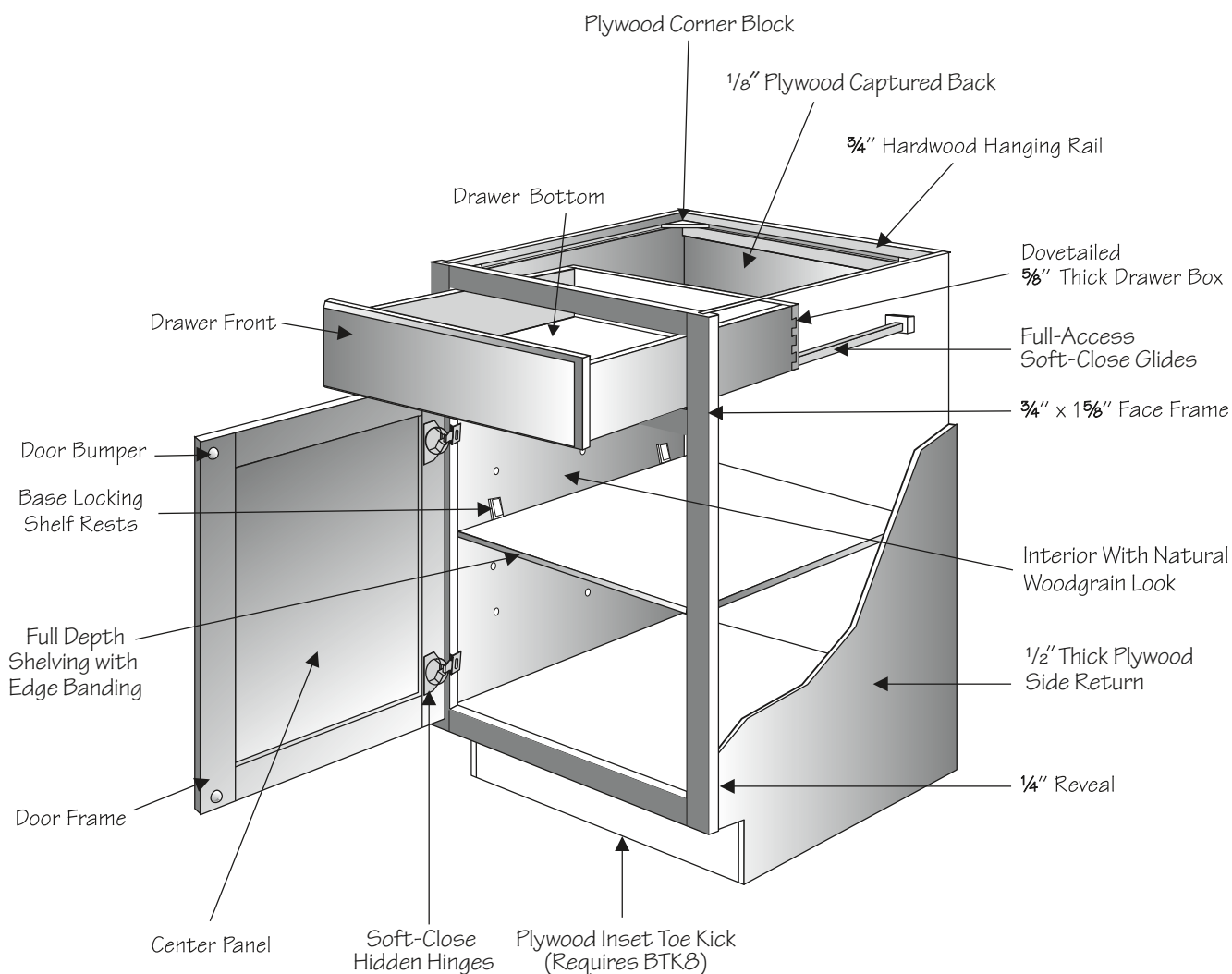
HANGING RAILS

The base hanging rails are $\frac{3}{4}$ " thick hardwood, mortise and tenon joined and glued to the cabinet side panels. The Wall cabinet hanging rails are $\frac{1}{2}$ " thick plywood glued and pinned into the cabinet back, cabinet side panels, and cabinet top and bottom.



Plywood can consist of a combination of veneer and MDF layers to achieve superior product stability and finish quality. Plywood components meet the ANSI/Decorative Hardwoods Association hardwood and decorative plywood standards (www.decorativehardwoods.org).

Luxury base construction



DRAWER SYSTEMS

All standard drawers are 5/8" thick 21" deep dovetail hardwood with fully captured bottoms and Full-Access Soft-Close glides. All drawers meet KCMA load standards of 15 pounds per square foot.

DEEP ROLL OUT TRAYS

Deep Roll Out Trays utilize natural finished dovetail hardwood drawers with MDF bottoms. Trays meet KCMA load standards of 15 pounds per square foot. Deep Roll Out Trays feature Full-Access Soft-Close glides.

CORNER BLOCKS

Corner blocks are made of 1/2" plywood and are attached to help ensure cabinet squareness and allow for proper countertop installation.

CABINET SHELVES

Cabinet shelves are full-depth 3/4" thick plywood. The shelves are finished in a natural woodgrain look and are banded on one side with PVC edge banding. All shelves are adjustable and meet KCMA load standards of 15 pounds per square foot.

SHELF RESTS

Nickel plated 1/4" steel metal shelf rests are standard on all Wall cabinets and Bookshelves. Clear high-strength polycarbonate clip lock shelf rests are standard on all Base, Desk and Tall cabinets. Clip lock shelf rests lock shelves in place, prevent sliding and allow for easy shelf removal.

INSET TOE KICK

Inset Toe Kicks are constructed of 1/2" thick **unfinished** plywood and are 4" high and recessed 3 1/2".

BTK8 (matching toe kick) required for installation.



Plywood can consist of a combination of veneer and MDF layers to achieve superior product stability and finish quality. Plywood components meet the ANSI/Decorative Hardwoods Association hardwood and decorative plywood standards (www.decorativehardwoods.org).

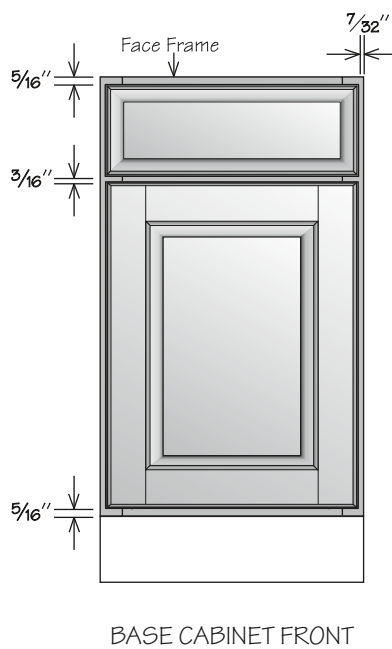
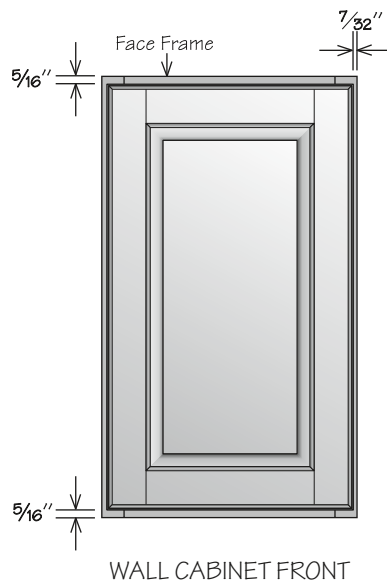
| | essential | select | luxury |
|--|--|---|---|
| Drawer Box | 18" Deep Dovetail Drawer | 21" Deep Dovetail Drawer | |
| Glide | Side-Mounted | Full-Access Soft-Close | |
| Roll Out Accessories | 21" Dovetail Side-Mounted Glide with MDF Bottom | 21" Dovetail Full-Access Soft-Close Glide with MDF Bottom | |
| Pull Out Accessories | Full-Access Soft-Close Glide | | |
| Hinge | 6-Way Adjustable Hidden Hinge | 6-Way Adjustable Soft-Close Hidden Hinge | |
| Base, Desk and Refrigerator Wall Cabinet Shelves | $\frac{3}{4}$ " Half-Depth Engineered Wood | $\frac{3}{4}$ " Full-Depth Engineered Wood | $\frac{3}{4}$ " Full-Depth Plywood |
| Wall and Tall Cabinet Shelves | $\frac{3}{4}$ " Full-Depth Engineered Wood | | $\frac{3}{4}$ " Full-Depth Plywood |
| Wall Cabinet Hanging Rail | $\frac{1}{2}$ " Engineered Wood Top and Bottom Rails | | $\frac{1}{2}$ " Plywood Top and Bottom Rails |
| Base Cabinet Hanging Rail | $\frac{3}{4}$ " Hardwood Top Rail $\frac{1}{2}$ " Engineered Wood Bottom Rail | | $\frac{3}{4}$ " Hardwood Top Rail $\frac{1}{2}$ " Plywood Wood Bottom Rail |
| Inset Toe Kick | $\frac{1}{2}$ " Engineered Wood | | $\frac{1}{2}$ " Plywood |
| Cabinet Back | $\frac{1}{8}$ " Hardboard Substrate Captured | | $\frac{1}{8}$ " Plywood Captured |
| Cabinet Floor | $\frac{1}{2}$ " Engineered Wood | | $\frac{1}{2}$ " Plywood |
| Wall Cabinet Top, Bottom and Sides | $\frac{1}{2}$ " Engineered Wood | | $\frac{1}{2}$ " Plywood |



Plywood can consist of a combination of veneer and MDF layers to achieve superior product stability and finish quality. Plywood components meet the ANSI/Decorative Hardwoods Association hardwood and decorative plywood standards (www.decorativehardwoods.org).

Full Overlay Dimensions

Full Overlay (FOL) doors are sized to cover nearly all of the cabinet face frame. To facilitate proper door operation, include at least a 1" filler between the hinged side of Full Overlay door styles and deeper adjacent objects including cabinets, walls, appliances and countertops. Blind corners may require more space from the adjacent cabinet to accommodate decorative hardware clearance.

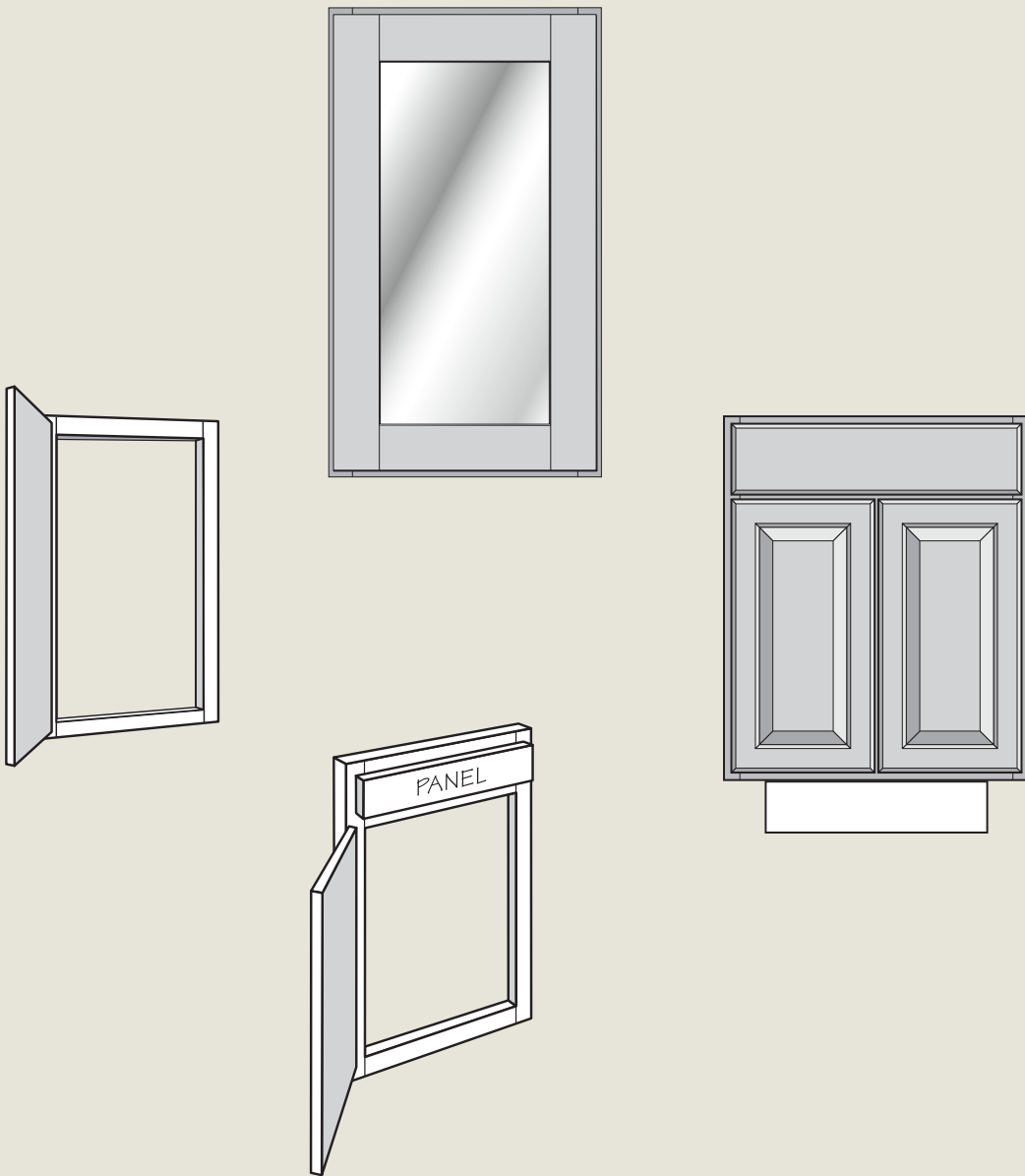




Notes

Multiple horizontal lines for taking notes, starting below the 'Notes' header and extending to the bottom of the page.

Construction Options



Icons used in this guide are shown below and indicate which construction options are available for a particular product.

| | | | |
|------------|---------------------------|-------------|---------------|
| AH | Accessible Height Option | NEW! | OPTION |
| CFO | Cabinet Front Only Option | | |
| FE | Furniture Ends Option | | |
| ID | Increased Depth Option | | |
| MI | Matching Interior Option | | |
| RD | Reduced Depth Option | | |
| RTK | Recessed Toe Kick Option | | |
| VTD | Void Top Drawer Option | | |
| VDO | Void Door Option | | |

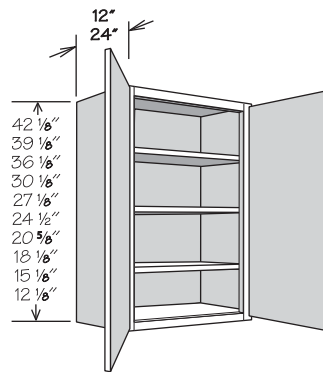
Example:

When a square ■ or diamond ◆ symbol is in an option box, it indicates that the construction option is ONLY available for SKUs listed with that symbol.

All options without a symbol are available for all SKUs.

In this example, the ◆ diamond indicates that only W3015 BUTT and W3015 BUTT SD are available with Increased Depth (ID), while the ■ square indicates that only the non-SD cabinets are available with Matching Interior (MI) and Void Door (VDO) options.

Wall Cabinets • 2 Butt Doors



| |
|--------------|
| CFO |
| FE |
| ID ◆ |
| MI ■ |
| RD |
| VDO ■ |

12" DEEP

- W3015 BUTT ■◆
- W3015 BUTT SD ◆

24" DEEP

- W3015 X 24DP BUTT ■
- W3015 X 24DP BUTT SD

Furniture Ends Option

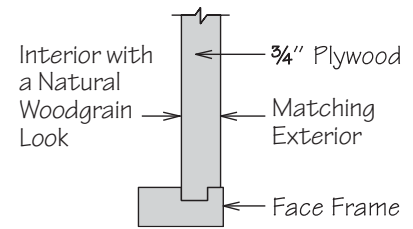
FE

Furniture Ends Option includes:

- ¾" plywood cabinet sides

Notes:

- Exterior sides feature plywood finished to match specific cabinet box exterior
- Plywood is visible on top and bottom of side panels
- All door styles feature standard interior sides with a natural woodgrain look and matching exterior sides
- Available for individual cabinets except (BEA24 FH) Base End Angle and (WEA12) Wall End Angle cabinets
- Both side panels convert to ¾" plywood sides except Base End Angle (BEA12 FH) cabinets which converts the 12" side panel only
- Cabinets with the Matching Interior Option (MI) or standard matching interior feature plywood side panels finished to match cabinet box exterior
- May be combined with all construction options excluding Cabinet Front Only Option
- End panels are not required for installation of Decorator Matching Doors or the exposed ends of cabinets with the Furniture Ends Option
- Cabinet Angle Molding (CAM8) cannot be used with cabinets with the Furniture Ends Option
- Sink Front Return (SFR R/L) with the Furniture Ends Option will include a rabbetted front edge
- A seam will be visible between stacked cabinets and on 93" and 96" tall cabinets between the toe kick box and the cabinet. Recommendations to conceal this seam:
 - » Use decorative molding (e.g., Batten Molding or Ogee Pilaster Molding)
 - » Use a Column Filler or Wood Tall End Panel
- Plywood can consist of a combination of veneer and MDF layers to achieve superior product stability and finish quality. Plywood components meet the ANSI/HPVA hardwood and decorative plywood standards (decorativehardwoodsassociation.org).



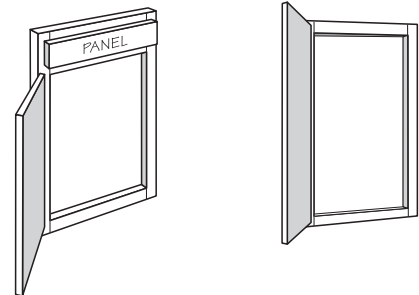
Cabinet Front Only Option

CFO

The Cabinet Front Only Option is available for most cabinets with a frame.

Notes:

- Cannot be combined with any construction options
- This option consists of the cabinet frame, door(s), drawer front(s) and hinges
- Toe kicks are not included



The Reduced Depth Option should be used when ordering less than standard depth cabinets. The Reduced Depth Option is available in 1" increments; minimum depth is 4". Vanity and desk cabinets will reduce to standard reduced depth increments (e.g. vanity cabinets with RD-20 will measure 20" in depth).

Notes:

- There is a potential tipping hazard for reduced depth cabinets until they are mounted to a wall
- Peninsula Base cabinets reduced to 11" or less will not have an inset toe kick
- Adjustable shelves are reduced in 1" increments to match Reduced Depth Option selected on cabinet(s)
- Adding the Reduced Depth Option does not remove adjustable shelves (where applicable)
- May be combined with all construction options excluding Increased Depth, Cabinet Front Only or Recessed Toe Kick when cabinets are reduced to 8" or less
- All cabinets reduced to 5" or less will not have an inset toe kick
- Reduced depth restrictions:
 - » 24" Deep Wall Top Hinge cabinets are only available with RD-23 through RD-8
 - » 12" Deep Wall Top Hinge cabinets are only available with RD-11 through RD-8
 - » Base End Angle (BEA12FH) cabinets are only available with RD-23 through RD-18
 - » Knee-hole Drawer cabinets are only available with RD-20 through RD-12
 - » Two-Drawer Base cabinets are only available with RD-23 through RD-21
 - » 24" Deep Furniture Drawer cabinets are only available with RD-23 through RD-13
- When ordering reduced depth accessories, specify the depth of the cabinet for which the accessory is intended (e.g., SK3624 RD-21 would be ordered for a UT3624 X 84 RD-21)

| Reduced Depth | Drawer Depth Base and 24" Desk Cabinets | Drawer Depth All Vanity and 21" Desk Cabinets | Deep Roll Out Tray Depth | Toe Kick | Shelf |
|---------------|---|---|--------------------------|-------------|-------|
| RD-23 | 18" | — | 18" | YES | YES |
| RD-22 | 18" | — | 18" | YES | YES |
| RD-21 | 18" | — | 18" | YES | YES |
| RD-20 | 15" | 15" | 15" | YES | YES |
| RD-19 | 15" | 15" | 15" | YES | YES |
| RD-18 | 15" | 15" | 15" | YES | YES |
| RD-17 | 12" | 12" | 12" | YES | YES |
| RD-16 | 12" | 12" | 12" | YES | YES |
| RD-15 | 12" | 12" | 12" | YES | YES |
| RD-14 | 9 7/16" | 9 7/16" | 9" | YES | YES |
| RD-13 | 9 7/16" | 9 7/16" | 9" | YES | YES |
| RD-12 | 9 7/16" | 9 7/16" | 9" | YES | YES |
| RD-11 to RD-6 | NO DRAWER | NO DRAWER | NOT AVAILABLE | YES | YES |
| RD-5 or RD-4 | NO DRAWER | NO DRAWER | NOT AVAILABLE | NO TOE KICK | YES |

Increased Depth Option

ID

The Increased Depth Option is available for most Wall cabinets up to 36" wide and all Bookshelves. The Increased Depth Option is available in 1" increments; maximum depth is 24".

Orders specifying Increased Depth Option must show the total cabinet depth

Example: Cabinet: W1530

Option: ID-14 (increased to 14" deep)

Notes:

- May be combined with all construction options excluding Reduced Depth and Cabinet Front Only
- Adjustable shelves are increased in 1" increments to match Increased Depth Option selected on cabinet(s)
- Wall cabinets bookshelves increased to 19" deep and over must be stacked, floor mounted or installed over a refrigerator
- Wall cabinets increased to more than 18" deep must be stacked, floor mounted, or installed over a refrigerator
- All increased depth cabinets must be securely attached in one of the following combinations: to studs in back wall and both sides OR to studs in back wall, one side and top (e.g. two adjacent cabinets or one adjacent cabinet and a wall)

Void Door Option

VDO

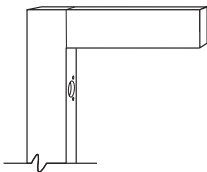
The Void Door Option is available for most wall cabinets. All void door cabinets ship without doors or hinges – center stiles and adjustable shelves will remain. Cabinet frames are pre-drilled for door hinges. All void door wall top hinge cabinets ship without door, lid stays and hinges.

Refer to the descriptions below to select the correct option for your layout:

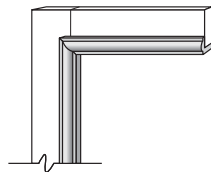
- VDO-DFH (Drilled For Hinges)
- VDO-SBAM (Single Bead Accent Molding)
- VDO-SAM (Shaker Accent Molding)

Notes for VDO options:

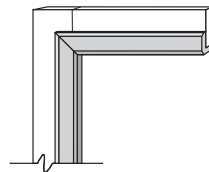
- May be combined with all construction options excluding Cabinet Front Only
- Can be used to create decorative open cabinets
- Decorative accent moldings will conceal hinge holes
- Molding is to be cut and field installed at the job site
- When matching interior is desired, the Matching Interior Option must be selected separately



VDO-DFH
Drilled For Hinges



VDO-SBAM
Single Bead
Accent
Molding



VDO-SAM
Shaker Accent
Molding

Recessed Toe Kick Option

RTK

The Recessed Toe Kick Option is available on most Base, Desk and Vanity base cabinetry. When the Recessed Toe Kick Option is selected, the end or ends to be recessed must be specified.

Notes:

- May be combined with all construction options excluding Accessible Height, Cabinet Front Only or the Reduced Depth Option when cabinets are reduced to 8" or less
- Recommended for cabinets at the end of a run, especially in island and peninsula designs
- All construction packages feature ½" thick unfinished plywood toe kick box
- Recessed side(s) are recessed 3 ½" to match front of cabinet
- Cabinets with the Recessed Toe Kick option is not flush on the non-recessed side and back
- Blind Corner Base cabinets are only available with the Recessed Toe Kick Both (RTKB) Option
- Base End Angle (BEA_ FH), Base Pantry Pull Out (BPP_), Base Pantry Pull Out Utensil Storage (BPPUS_), Base Tray Divider Pull Out (BTDP9), Tray Base (TB9 _) cabinets are not available with the Recessed Toe Kick Both Option (RTKB)
- Not available for Peninsula Base cabinets with the Reduced Depth Option of RD-11 and lower
- For Peninsula Base cabinets, the working drawer side indicates the front of the cabinet in order to correctly select Recessed Toe Kick Right (RTKR) or Left (RTKL)
- Peninsula Base cabinets ordered with Recessed Toe Kick Option must be secured to the floor through the cabinet bottom into bracing secured to the floor
- Base toe kick required for front and any exposed side(s)



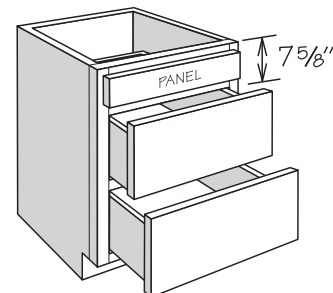
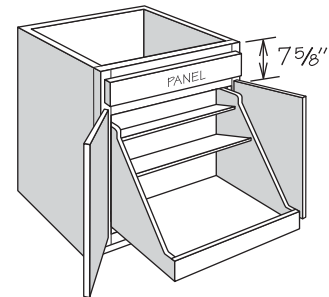
Void Top Drawer Option

VTD

The Void Top Drawer Option is available for most 3 Drawer Base, 4 Drawer Base, Base with Deep Roll Out Trays, Base with Pot & Pan Organizer and Peninsula Base cabinets.

Notes:

- May be combined with all construction options excluding Cabinet Front Only
- This option removes the drawer body and glide system and replaces it with a false panel on any top drawer(s)
- On cabinets with multiple top drawers, all top drawers will be voided
- When using an appliance, the interior height clearance is 7 5/8" from the top of the cabinet to the top of the door/drawer opening below the voided drawer
- Subtract 1 ½" from width and depth for available top opening – removal of corner blocks may be required
- Removal of the top rail is not recommended
- Refer to appliance manufacturer's specifications for adequate clearances and required installation materials



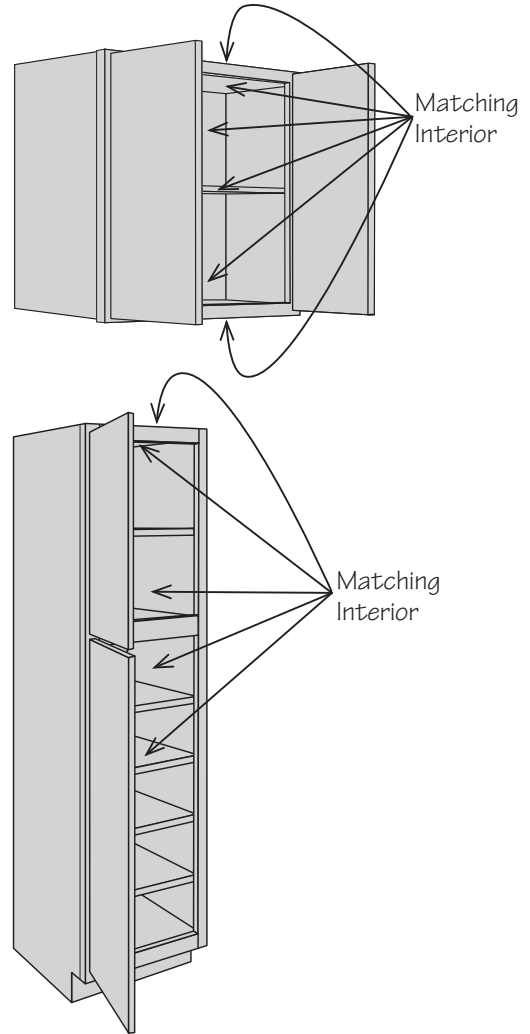
Matching Interior Option

MI

The Matching Interior Option is available for Wall cabinets (with the exceptions noted below), Utility cabinets, Vanity Linen cabinets, and Refrigerator Return Panels. This option matches the cabinet's interior, top and bottom to that of the cabinet's box exterior.

Notes:

- **essential** and **select** construction packages feature two-sided engineered wood side panels finished to match cabinet exterior
- **luxury** construction package features two-sided plywood finished to match cabinet exterior
- May be combined with all construction options excluding Cabinet Front Only
- Not available for wall cabinets with a standard matching interior (including all Specialty Door cabinets)
- Recommended for wall cabinets with the Void Door Option (VDO)
- All finished surfaces of the Wall, Utility, and Vanity Linen cabinets will be color matched including shelves, back, interior and exterior of returns, top and bottom
- Surfaces that are not finished (including hanging rails, tops/bottoms of side panels, cabinet backs, etc.) will remain unfinished
- Interior accessories in Matching Interior cabinets will remain natural finish (e.g., spice rack kit, deep roll out trays)



Accessible Height Option

NEW! **OPTION**

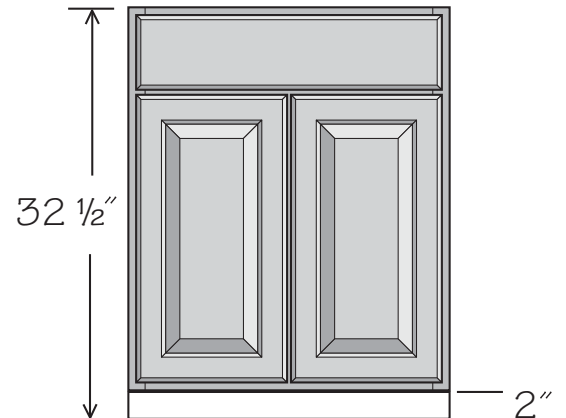
AH

The Accessible Height Option is available for most cabinets that feature a toe kick.

Notes:

- This option reduces cabinet height by 2" off the toe kick area
 - » Toe kick boxes that are shipped separately on 93" & 96" high tall cabinets will also be reduced by 2" with this option
- May be combined with all construction options excluding Recessed Toe Kick or Cabinet Front Only Option
- Any cabinet part above toe kick (face frames, doors, internal cabinet accessories, etc.) will not be altered by this modification

| | 34 1/2" Base/Vanity | 84" Tall | 90" Tall | 93" Tall | 96" Tall |
|------------------------|---------------------|----------|----------|----------|----------|
| Modified Height | 32 1/2" | 82" | 88" | 91" | 94" |



Specialty Door Option cabinets are available for most wall, utility and vanity linen cabinet sizes. All Specialty Door Option cabinets include Matching Interior as standard. Specialty door options for utility and vanity linen cabinets apply to top door(s) only.

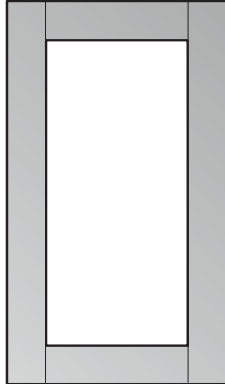
Open Frame Door (OFD) notes:

- Features door frame only with no center panel
- Decorative glass inserts and appropriate glass clips are shipped separately from the cabinet for field installation – see page 36 for available glass inserts
- See page 35 for door style profiles

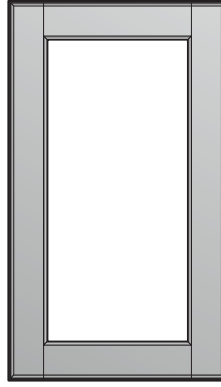
SPECIALTY DOOR AVAILABILITY BY SIZE

| Cabinet Door Width | Door Height | | | | | | | | | |
|--------------------|---------------|---------------|---------------|---------------|---------------|---------------|---------------|---------------|---------------|---------------|
| | 12" High Wall | 15" High Wall | 18" High Wall | 21" High Wall | 24" High Wall | 27" High Wall | 30" High Wall | 36" High Wall | 39" High Wall | 42" High Wall |
| 12" Wide | ● | ● | ● | | ● | | ● | ● | ● | ● |
| 13" Wide | ● | ● | ● | | ● | | ● | ● | ● | ● |
| 15" Wide | ● | ● | ● | ● | ● | ● | ● | ● | ● | ● |
| 16" Wide | ● | ● | ● | ● | ● | | ● | ● | ● | ● |
| 18" Wide | ● | ● | ● | ● | ● | | ● | ● | ● | ● |
| 18½" Wide | ● | ● | ● | ● | | | | | | |
| 19" Wide | ● | ● | ● | ● | | | | | | |
| 21" Wide | ● | ● | ● | | ● | | ● | ● | ● | ● |
| 30" Wide | | ■ | ■ | | | | | | | |
| 36" Wide | | ■ | ■ | | | | | | | |

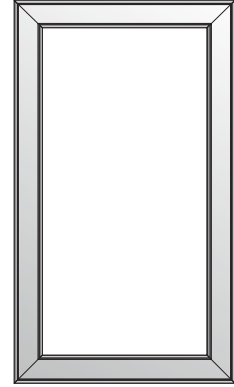
- Available with Specialty Doors
- Wall Top Hinge cabinets only



OFD Profile for
AVELEY
GALWAY
INNSBROOK
PORT
STONEWALL



OFD Profile for
PATINGHAM
TILSON



OFD Profile for
HEATHROW
MCKELLER

Clear Glass



- 1/8" thick panel
- Clear glass
- Tempered safety glass
- Includes appropriate Decorative Glass Clips
- Order as DGI-____ CLEAR, refer to Parts Directory for nomenclature and dimensions

Derbyshire Seeded Glass



- 1/8" thick panel
- Clear seeded glass
- Laminated safety glass
- Includes appropriate Decorative Glass Clips
- Order as DGI-____ DERBYSHIRE, refer to Parts Directory for nomenclature and dimensions

Frosted Glass



- 1/8" thick panel
- Frosted glass with etched finish
- Tempered safety glass
- Includes appropriate Decorative Glass Clips
- Order as DGI-____ FROSTED, refer to Parts Directory for nomenclature and dimensions

Meredith Glass



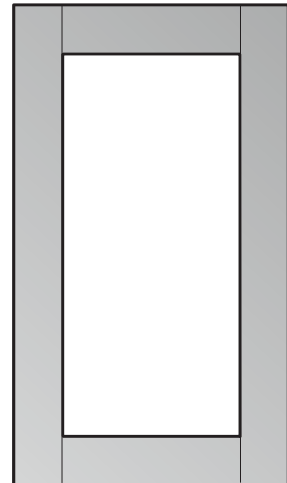
- 1/4" overall thickness (1/8" beveled edge thickness)
- Clear glass design with 1/4" wide beveled edges
- Tempered safety glass
- Includes appropriate Decorative Glass Clips
- Order as DGI-____ MEREDITH, refer to Parts Directory for nomenclature and dimensions

Ribbed Glass



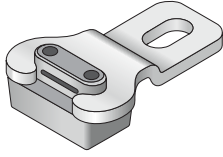
- 1/8" thick panel
- Clear ribbed glass
- Tempered safety glass
- Includes appropriate Decorative Glass Clips
- Not available for Wall Top Hinge Cabinets
- Order as DGI-____ RIBBED, refer to Parts Directory for nomenclature and dimensions

Prepped for Glass

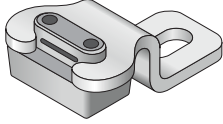


- For customer installed inserts up to 5/8" thick
- Refer to page 35 for standard profiles
- Decorative Glass Clips not included—order separately

Decorative Glass Clips



CLIP DGI 1/8



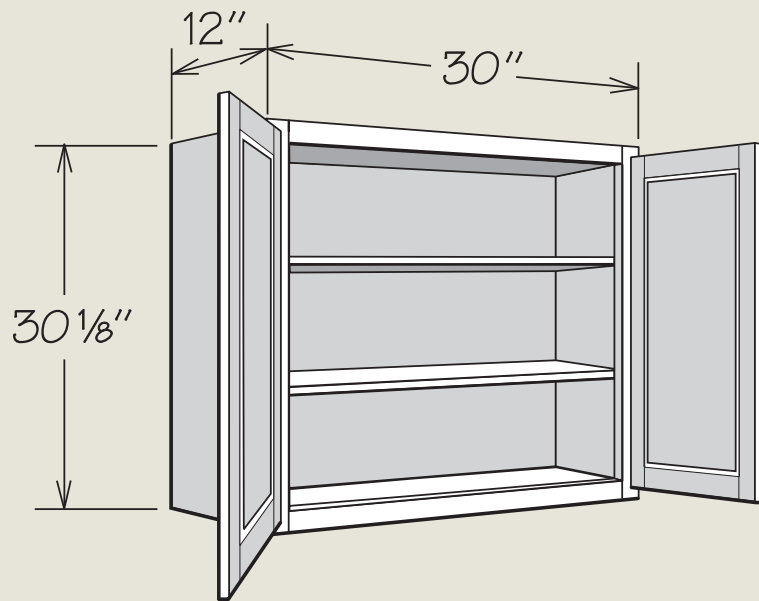
CLIP DGI 5/16

| Glass Insert | CLIP DGI 1/8 | CLIP DGI 5/16 |
|--------------|--------------|---------------|
| Clear | ● | |
| Derbyshire | | ● |
| Frosted | ● | |
| Meredith | ● | |
| Ribbed | ● | |

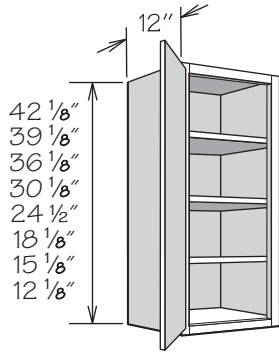
- For installation of decorative glass insert
- Order one bag (six clips) per door

CLIP DGI 1/8
CLIP DGI 5/16

Wall Cabinets



Wall Cabinets • 1 Door **NEW!** **SIZES**



42" High Shown

- Specialty Door cabinets (SD) feature Matching Interior standard and require a specialty door selection
- Must be ordered as hinged left or right
- 18", 15" and 12" high wall cabinets are not drilled for adjustable shelf

| |
|--------------|
| CFO |
| FE |
| ID |
| MI ■ |
| RD |
| VDO ■ |

12" DEEP

42"H - 3 Shelves

- W942 ■
- W1242 ■
- W1542 ■
- W1842 ■
- W2142 ■
- W2242 ■
- W1242 SD
- W1542 SD
- W1842 SD
- W2142 SD

39"H - 3 Shelves

- W939 ■
- W1239 ■
- W1539 ■
- W1839 ■
- W2139 ■
- W2439 ■
- W1239 SD
- W1539 SD
- W1839 SD
- W2139 SD

36"H - 2 Shelves

- W936 ■
- W1236 ■
- W1536 ■
- W1836 ■
- W2136 ■
- W2436 ■
- W1236 SD
- W1536 SD
- W1836 SD
- W2136 SD

30"H - 2 Shelves

- W930 ■
- W1230 ■
- W1530 ■
- W1830 ■
- W2130 ■
- W2430 ■
- W1230 SD
- W1530 SD
- W1830 SD
- W2130 SD

24"H - 1 Shelf

- W1224 ■
- W1524 ■
- W1824 ■
- W2124 ■
- W1224 SD
- W1524 SD
- W1824 SD
- W2124 SD

18"H - No Shelf

- W1218 ■
- W1518 ■
- W1818 ■
- W2118 ■
- W1218 SD
- W1518 SD
- W1818 SD
- W2118 SD

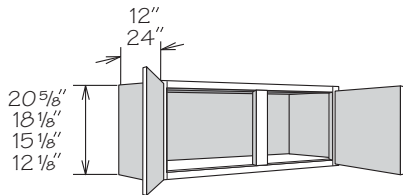
15"H - No Shelf

- W1215 ■
- W1515 ■
- W1815 ■
- W2115 ■
- W1215 SD
- W1515 SD
- W1815 SD
- W2115 SD

12"H - No Shelf

- W1212 ■
- W1512 ■
- W1812 ■
- W2112 ■
- W1212 SD
- W1512 SD
- W1812 SD
- W2112 SD

Wall Cabinets • 2 Doors



21" High Shown

- Specialty Door cabinets (SD) feature Matching Interior standard and require a specialty door selection
- 24" deep cabinets must be installed by:
 - » Securely attaching to studs in back wall and both sides or to studs in back wall, one side and top (e.g. two adjacent cabinets or one adjacent cabinet and a wall)
 - » And must be either stacked, floor mounted or installed over a refrigerator
- Not drilled for adjustable shelf

| |
|--------------|
| CFO |
| FE |
| MI ■ |
| RD |
| VDO ■ |

12" DEEP

21"H - No Shelf

- W3921 ■
- W3921 SD

18"H - No Shelf

- W3918 ■
- W3918 SD

15"H - No Shelf

- W3915 ■
- W3915 SD

12"H - No Shelf

- W3912 ■
- W3912 SD

24" DEEP

21"H - No Shelf

- W3921 X 24 DP ■
- W3921 X 24 DP SD

18"H - No Shelf

- W3918 X 24 DP ■
- W3918 X 24 DP SD

15"H - No Shelf

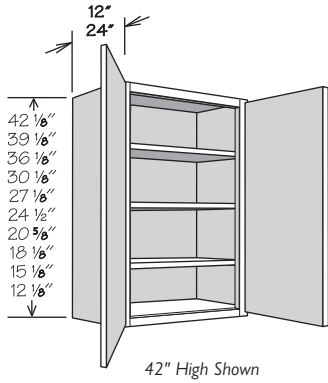
- W3915 X 24 DP ■
- W3915 X 24 DP SD

12"H - No Shelf

- W3912 X 24 DP ■
- W4212 X 24 DP ■
- W3912 X 24 DP SD

Wall Cabinets • 2 Butt Doors

NEW! **SIZES**



42" High Shown

- Specialty Door cabinets (SD) feature Matching Interior standard and require a specialty door selection
- 24" deep cabinets must be installed by:
 - » Securely attaching to studs in back wall and both sides or to studs in back wall, one side and top (e.g. two adjacent cabinets or one adjacent cabinet and a wall)
 - » And must be either stacked, floor mounted or installed over a refrigerator
- 21", 18", 15" and 12" high wall cabinets are not drilled for adjustable shelf

| |
|--------------|
| CFO |
| FE |
| ID ◆ |
| MI ■ |
| RD |
| VDO ■ |

12" DEEP

42"H • 3 Shelves

- W2442 BUTT ■◆
- W2742 BUTT ■◆
- W3042 BUTT ■◆
- W3342 BUTT ■◆
- W3642 BUTT ■◆
- W2442 BUTT SD ◆
- W2742 BUTT SD ◆
- W3042 BUTT SD ◆
- W3342 BUTT SD ◆
- W3642 BUTT SD ◆

39"H • 3 Shelves

- W2439 BUTT ■◆
- W2739 BUTT ■◆
- W3039 BUTT ■◆
- W3339 BUTT ■◆
- W3639 BUTT ■◆
- W2439 BUTT SD ◆
- W2739 BUTT SD ◆
- W3039 BUTT SD ◆
- W3339 BUTT SD ◆
- W3639 BUTT SD ◆

36"H • 2 Shelves

- W2436 BUTT ■◆
- W2736 BUTT ■◆
- W3036 BUTT ■◆
- W3336 BUTT ■◆
- W3636 BUTT ■◆
- W2436 BUTT SD ◆
- W2736 BUTT SD ◆
- W3036 BUTT SD ◆
- W3336 BUTT SD ◆
- W3636 BUTT SD ◆

30"H • 2 Shelves

- W2430 BUTT ■◆
- W2730 BUTT ■◆
- W3030 BUTT ■◆
- W3330 BUTT ■◆
- W3630 BUTT ■◆
- W2430 BUTT SD ◆
- W2730 BUTT SD ◆
- W3030 BUTT SD ◆
- W3330 BUTT SD ◆
- W3630 BUTT SD ◆

27"H • 1 Shelf

- W3027 BUTT ■◆
- W3027 BUTT SD ◆

24"H • 1 Shelf

- W2424 BUTT ■◆
- W2724 BUTT ■◆
- W3024 BUTT ■◆
- W3324 BUTT ■◆
- W3624 BUTT ■◆
- W2424 BUTT SD ◆
- W2724 BUTT SD ◆
- W3024 BUTT SD ◆
- W3324 BUTT SD ◆
- W3624 BUTT SD ◆

21"H • No Shelf

- W3021 BUTT ■◆
- W3321 BUTT ■◆
- W3621 BUTT ■◆
- W3021 BUTT SD ◆
- W3321 BUTT SD ◆
- W3621 BUTT SD ◆

18"H • No Shelf

- W2418 BUTT ■◆
- W2718 BUTT ■◆
- W3018 BUTT ■◆
- W3318 BUTT ■◆
- W3618 BUTT ■◆
- W2418 BUTT SD ◆
- W2718 BUTT SD ◆
- W3018 BUTT SD ◆
- W3318 BUTT SD ◆
- W3618 BUTT SD ◆

15"H • No Shelf

- W2415 BUTT ■◆
- W2715 BUTT ■◆
- W3015 BUTT ■◆
- W3315 BUTT ■◆
- W3615 BUTT ■◆
- W2415 BUTT SD ◆
- W2715 BUTT SD ◆
- W3015 BUTT SD ◆
- W3315 BUTT SD ◆
- W3615 BUTT SD ◆

12"H • No Shelf

- W2412 BUTT ■◆
- W2712 BUTT ■◆
- W3012 BUTT ■◆
- W3312 BUTT ■◆
- W3612 BUTT ■◆
- W2412 BUTT SD ◆
- W2712 BUTT SD ◆
- W3012 BUTT SD ◆
- W3312 BUTT SD ◆
- W3612 BUTT SD ◆

24" DEEP

27"H • 1 Shelf

- W3027 X 24 DP BUTT ■
- W3027 X 24 DP BUTT SD

24"H • 1 Shelf

- W3024 X 24 DP BUTT ■
- W3324 X 24 DP BUTT ■
- W3624 X 24 DP BUTT ■
- W3724 X 24 DP BUTT ■
- W3024 X 24 DP BUTT SD
- W3324 X 24 DP BUTT SD
- W3624 X 24 DP BUTT SD
- W3724 X 24 DP BUTT SD

21"H • No Shelf

- W3021 X 24 DP BUTT ■
- W3321 X 24 DP BUTT ■
- W3621 X 24 DP BUTT ■
- W3721 X 24 DP BUTT ■
- W3021 X 24 DP BUTT SD
- W3321 X 24 DP BUTT SD
- W3621 X 24 DP BUTT SD
- W3721 X 24 DP BUTT SD

18"H • No Shelf

- W3018 X 24 DP BUTT ■
- W3318 X 24 DP BUTT ■
- W3618 X 24 DP BUTT ■
- W3718 X 24 DP BUTT ■
- W3018 X 24 DP BUTT SD
- W3318 X 24 DP BUTT SD
- W3618 X 24 DP BUTT SD
- W3718 X 24 DP BUTT SD

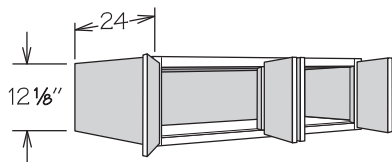
15"H • No Shelf

- W3015 X 24 DP BUTT ■
- W3315 X 24 DP BUTT ■
- W3615 X 24 DP BUTT ■
- W3715 X 24 DP BUTT ■
- W3015 X 24 DP BUTT SD
- W3315 X 24 DP BUTT SD
- W3615 X 24 DP BUTT SD
- W3715 X 24 DP BUTT SD

12"H • No Shelf

- W3012 X 24 DP BUTT ■
- W3312 X 24 DP BUTT ■
- W3612 X 24 DP BUTT ■
- W3712 X 24 DP BUTT ■
- W3012 X 24 DP BUTT SD
- W3312 X 24 DP BUTT SD
- W3612 X 24 DP BUTT SD
- W3712 X 24 DP BUTT SD

Wall Cabinets • 4 Butt Doors



- Hinged as shown
- Not drilled for adjustable shelf
- Cabinet must be installed by:
 - » Securely attaching to studs in back wall and both sides or to studs in back wall, one side and top (e.g. two adjacent cabinets or one adjacent cabinet and a wall)
 - » And must be either stacked, floor mounted or installed over a refrigerator

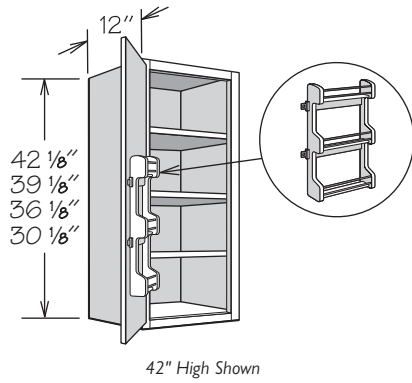
| |
|------------|
| CFO |
| FE |
| MI |
| RD |
| VDO |

24" DEEP

12"H • No Shelf

- W4812 X 24 DP BUTT

Wall Cabinet with Spice Rack • 1 Door



- Spice Rack Kit packaged separately for field installation
- Position adjustable shelves prior to installation
- Kit in natural finish solid wood features chrome rails and three fixed shelves
- Must be ordered as hinged left or right

| |
|----|
| FE |
| ID |
| MI |

12" DEEP

42"H • 3 Shelves

W1542 SR
W1842 SR
W2142 SR

36"H • 2 Shelves

W1536 SR
W1836 SR
W2136 SR

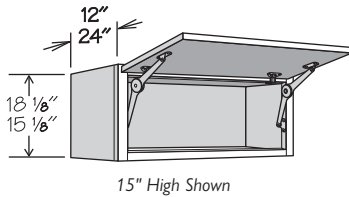
39"H • 3 Shelves

W1539 SR
W1839 SR
W2139 SR

30"H • 2 Shelves

W1530 SR
W1830 SR
W2130 SR

Wall Top Hinge • 1 Door



- Features one pair of factory installed, field adjustable lid stays that supports door securely at any angle up to 105°
- Cabinet can be flipped to open downwards and lid stay can be adjusted to support door
- Door rail and stile configuration and insert panel grain direction will differ from standard wall cabinets
- Specialty Door cabinets (SD) feature Matching Interior standard and require a specialty door selection
- 24" deep cabinets must be installed by:
 - » Securely attaching to studs in back wall and both sides or to studs in back wall, one side and top (e.g. two adjacent cabinets or one adjacent cabinet and a wall)
 - » And must be either stacked, floor mounted or installed over a refrigerator

| |
|-------|
| FE |
| ID ◆ |
| MI ■ |
| RD |
| VDO ■ |

12" DEEP

18"H • No Shelf

WTH3018 ■◆
WTH3618 ■◆
WTH3018 SD ◆
WTH3618 SD ◆

15"H • No Shelf

WTH3015 ■◆
WTH3615 ■◆
WTH3015 SD ◆
WTH3615 SD ◆

24" DEEP

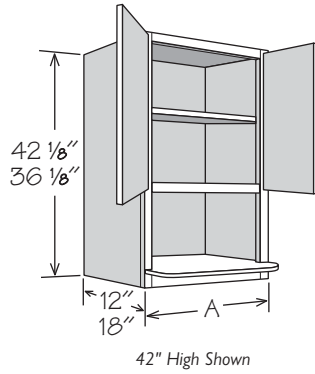
18"H • No Shelf

WTH3018 X 24 DP ■
WTH3618 X 24 DP ■
WTH3018 X 24 DP SD
WTH3618 X 24 DP SD

15"H • No Shelf

WTH3015 X 24 DP ■
WTH3615 X 24 DP ■
WTH3015 X 24 DP SD
WTH3615 X 24 DP SD

Wall Microwave Cabinets • 2 Butt Doors

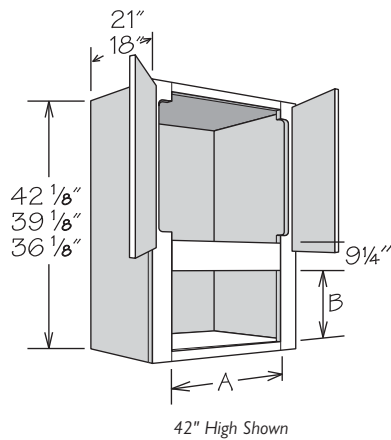


- Must be installed between two adjacent cabinets or a cabinet and a wall
- Cabinet interior and microwave shelf is finished to match cabinet box exterior
- 3/4" plywood microwave shelf included for all construction packages
- Designed to accommodate countertop style microwave
- Refer to appliance manufacturer's specifications for adequate clearances
- 36" high not drilled for adjustable shelf

| |
|------------|
| FE |
| RD |
| VDO |

| 12" DEEP | A | LOWER FRAME OPENING | | |
|------------------------|-----|---------------------|---------|---------|
| | | WIDTH | HEIGHT | DEPTH |
| 36"H • No Shelf | | | | |
| WMSC271236 BUTT | 27" | 23 3/4" | 18 5/8" | 17 3/4" |
| WMSC301236 BUTT | 30" | 26 3/4" | 18 5/8" | 17 3/4" |
| WCMSC241236 BUTT | 24" | 20 3/4" | 15 5/8" | 17 3/4" |
| WCMSC271236 BUTT | 27" | 23 3/4" | 15 5/8" | 17 3/4" |
| 18" DEEP | | | | |
| 42"H • 1 Shelf | | | | |
| WMSC271842 BUTT | 27" | 23 3/4" | 15 1/4" | 23 3/4" |
| 36"H • No Shelf | | | | |
| WMSC271836 BUTT | 27" | 23 3/4" | 18 5/8" | 23 3/4" |

Microwave Wall Cabinets • 2 Butt Doors

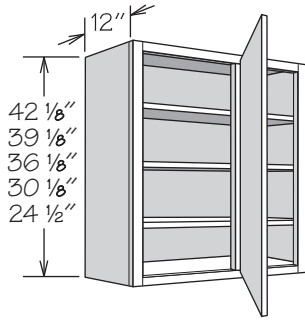


- Must be installed between two cabinets or a cabinet and a wall
- Designed to accommodate microwaves with trim kit
- A cutout exists in the door area where the 3/8" stiles are routed to 1 5/8"
- Refer to appliance manufacturers specifications for adequate clearances
- Not drilled for adjustable shelf

| |
|-----------|
| FE |
| ID |
| MI |
| RD |

| 18" DEEP | A | A | B | B |
|------------------------|---------|------|---------|---------|
| | ACTUAL | MAX. | ACTUAL | MAX. |
| 42"H • No Shelf | | | | |
| WMC301842 BUTT | 23 3/4" | 28" | 12 1/4" | 19 1/2" |
| 39"H • No Shelf | | | | |
| WMC271839 BUTT | 20 3/4" | 25" | 11 3/4" | 19 1/2" |
| WMC301839 BUTT | 23 3/4" | 28" | 11 3/4" | 19 1/2" |
| 36"H • No Shelf | | | | |
| WMC271836 BUTT | 20 3/4" | 25" | 11 3/4" | 19 1/2" |
| WMC301836 BUTT | 23 3/4" | 28" | 11 3/4" | 19 1/2" |
| 21" DEEP | | | | |
| 42"H • No Shelf | | | | |
| WMC302142 BUTT | 23 3/4" | 28" | 12 1/4" | 19 1/2" |
| 39"H • No Shelf | | | | |
| WMC272139 BUTT | 20 3/4" | 25" | 11 3/4" | 19 1/2" |
| WMC302139 BUTT | 23 3/4" | 28" | 11 3/4" | 19 1/2" |
| 36"H • No Shelf | | | | |
| WMC272136 BUTT | 20 3/4" | 25" | 11 3/4" | 19 1/2" |
| WMC302136 BUTT | 23 3/4" | 28" | 11 3/4" | 19 1/2" |

Blind Wall Cabinet • 1 Door



42" High Shown

- Cabinet shown as right indicating blind opening is on the right side of cabinet (must be ordered as left or right)
- Includes 1/8" panel to cover blind opening (field trim and install)
- Refer to Blind Wall Cabinet Installation Chart for specifications
- Must order Universal Filler separately
- Specialty Door cabinets (SD) feature Matching Interior standard and require a specialty door selection

| |
|-----|
| CFO |
| FE |
| ID |
| MI |
| RD |
| VDO |

12" DEEP

42"H • 3 Shelves

- BLW24/2742 ■
- BLW27/3042 ■
- BLW30/3342 ■
- BLW33/3642 ■
- BLW24/2742 SD
- BLW27/3042 SD
- BLW30/3342 SD
- BLW33/3642 SD

39"H • 3 Shelves

- BLW24/2739 ■
- BLW27/3039 ■
- BLW30/3339 ■
- BLW33/3639 ■
- BLW24/2739 SD
- BLW27/3039 SD
- BLW30/3339 SD
- BLW33/3639 SD

36"H • 2 Shelves

- BLW24/2736 ■
- BLW27/3036 ■
- BLW30/3336 ■
- BLW33/3636 ■
- BLW24/2736 SD
- BLW27/3036 SD
- BLW30/3336 SD
- BLW33/3636 SD

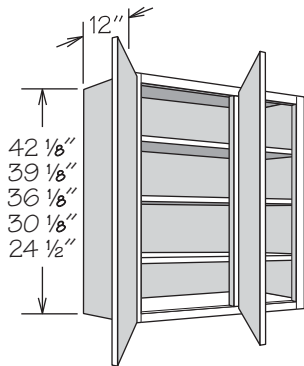
30"H • 2 Shelves

- BLW24/2730 ■
- BLW27/3030 ■
- BLW30/3330 ■
- BLW33/3630 ■
- BLW36/3930 ■
- BLW24/2730 SD
- BLW27/3030 SD
- BLW30/3330 SD
- BLW33/3630 SD

24"H • 1 Shelf

- BLW24/2724 ■
- BLW27/3024 ■
- BLW30/3324 ■
- BLW33/3624 ■
- BLW24/2724 SD
- BLW27/3024 SD
- BLW30/3324 SD
- BLW33/3624 SD

Blind Wall Cabinet • 2 Butt Doors



42" High Shown

- Cabinet shown as right indicating blind opening is on the right side of cabinet (can be reversed in the field)
- Includes 1/8" panel to cover blind opening (field trim and install)
- Refer to Blind Wall Cabinet Installation Chart for specifications
- Must order Universal Filler separately
- Specialty Door cabinets (SD) feature Matching Interior standard and require a specialty door selection
- Center shelf support provided on cabinets 39" or wider

| |
|------|
| CFO |
| FE |
| ID ◆ |
| MI |
| RD |
| VDO |

12" DEEP

42"H • 3 Shelves

- BLW36/3942 BUTT ■ ◆
- BLW39/4242 BUTT ■
- BLW42/4542 BUTT ■
- BLW36/3942 BUTT SD ◆
- BLW39/4242 BUTT SD
- BLW42/4542 BUTT SD

39"H • 3 Shelves

- BLW36/3939 BUTT ■ ◆
- BLW39/4239 BUTT ■
- BLW42/4539 BUTT ■
- BLW36/3939 BUTT SD ◆
- BLW39/4239 BUTT SD
- BLW42/4539 BUTT SD

36"H • 2 Shelves

- BLW36/3936 BUTT ■ ◆
- BLW39/4236 BUTT ■
- BLW42/4536 BUTT ■
- BLW36/3936 BUTT SD ◆
- BLW39/4236 BUTT SD
- BLW42/4536 BUTT SD

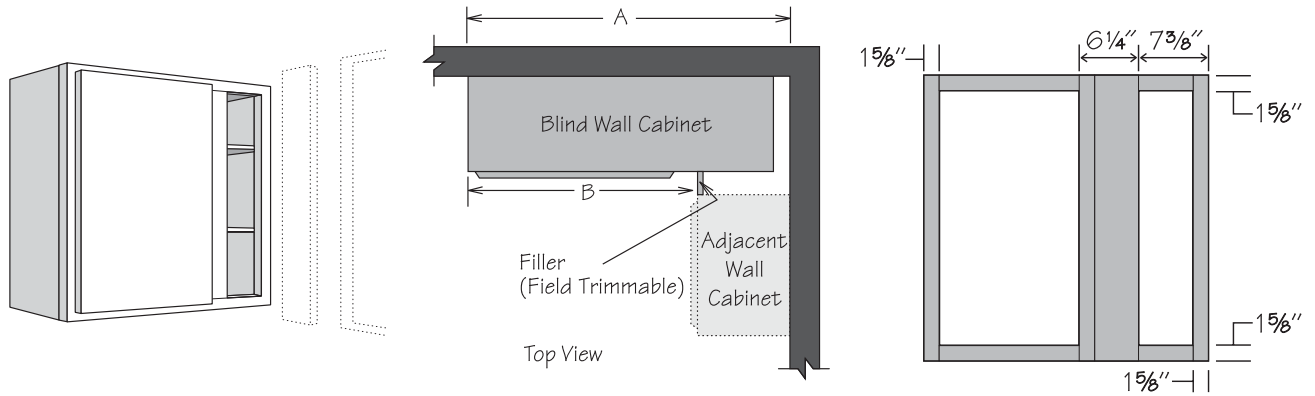
30"H • 2 Shelves

- BLW36/3930 BUTT ■ ◆
- BLW39/4230 BUTT ■
- BLW42/4530 BUTT ■
- BLW36/3930 BUTT SD ◆
- BLW39/4230 BUTT SD
- BLW42/4530 BUTT SD

24"H • 1 Shelf

- BLW36/3924 BUTT ■ ◆
- BLW36/3924 BUTT SD ◆

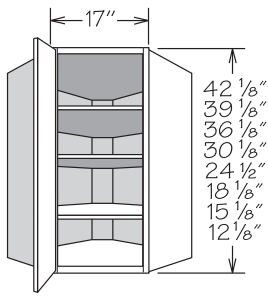
Blind Wall Cabinet Installation Chart



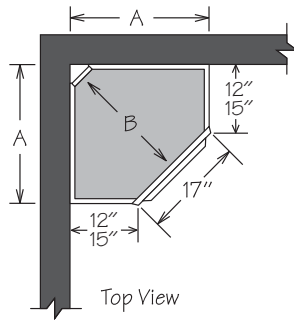
| CABINET | ACTUAL CABINET WIDTH | DOOR OPENING | DOOR(S) | WALL SPACE A | | | EXPOSED FRAME B | |
|---------------|----------------------|--------------|-----------------|----------------|--------------|---------------|-----------------|---------------|
| | | | | MINIMUM SPACE* | MAXIMUM PULL | MAXIMUM SPACE | MINIMUM SPACE* | MAXIMUM SPACE |
| BLW24/27_ | 24" | 8 3/4" | DR12__ | 26 1/4" | 1 3/4" | 28" | 14 1/4" | 16" |
| BLW27/30_ | 27" | 11 3/4" | DR15__ | 29 1/4" | 1 3/4" | 31" | 17 1/4" | 19" |
| BLW30/33_ | 30" | 14 3/4" | DR18__ | 32 1/4" | 1 3/4" | 34" | 20 1/4" | 22" |
| BLW33/36_ | 33" | 17 3/4" | DR21__ | 35 1/4" | 1 3/4" | 37" | 23 1/4" | 25" |
| BLW36/3930 | 36" | 20 3/4" | DR2430 | 38 1/4" | 1 3/4" | 40" | 26 1/4" | 28" |
| BLW36/39_BUTT | 36" | 20 3/4" | DR12__ BUTT (2) | 38 1/4" | 1 3/4" | 40" | 26 1/4" | 28" |
| BLW39/42_BUTT | 39" | 23 3/4" | DR13__ BUTT (2) | 41 1/4" | 1 3/4" | 43" | 29 1/4" | 31" |
| BLW42/45_BUTT | 42" | 26 3/4" | DR15__ BUTT (2) | 44 1/4" | 1 3/4" | 46" | 32 1/4" | 34" |

*Dimension requirements do not include optional Overlay Fillers – add 7/8" if Overlay Fillers will be used.

Corner Wall Cabinets NEW! SIZES



42" High Shown



Top View

- Must be ordered as hinged left or right
- Door opening is 11³/₄" wide
- Features a DR15_ door
- Specialty Door cabinets (SD) feature Matching Interior standard and require a specialty door selection
- 24" high cabinet's shelf is adjustable, not removable
- Glass Shelf Kit is not available for 24", 18", 15" and 12" high cabinets

| |
|-----|
| FE |
| MI |
| VDO |

| | A | B |
|----------|-----|---------|
| 12" Deep | 24" | 21 1/2" |
| 15" Deep | 27" | 25 3/4" |

12" DEEP

42"H • 3 Shelves

CW2442 ■
CW2442 SD

36"H • 2 Shelves

CW2436 ■
CW2436 SD

24"H • 1 Shelf

CW2424 ■
CW2424 SD

18"H • No Shelf

CW2418 ■
CW2418 SD

15"H • No Shelf

CW2415 ■
CW2415 SD

12"H • No Shelf

CW2412 ■
CW2412 SD

39"H • 3 Shelves

CW2439 ■
CW2439 SD

30"H • 2 Shelves

CW2430 ■
CW2430 SD

15" DEEP

42"H • 3 Shelves

CW2742 ■
CW2742 SD

36"H • 2 Shelves

CW2736 ■
CW2736 SD

24"H • 1 Shelf

CW2724 ■
CW2724 SD

18"H • No Shelf

CW2718 ■
CW2718 SD

15"H • No Shelf

CW2715 ■
CW2715 SD

12"H • No Shelf

CW2712 ■
CW2712 SD

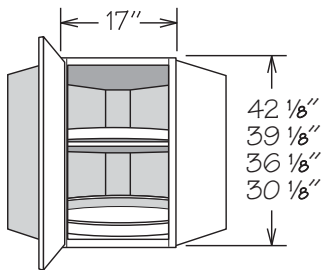
39"H • 3 Shelves

CW2739 ■
CW2739 SD

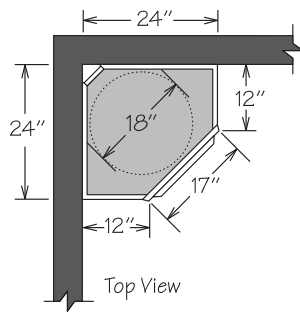
30"H • 2 Shelves

CW2730 ■
CW2730 SD

Corner Wall Cabinets • with Wood Spin Units



30" High Shown



Top View

- Must be ordered as hinged left or right
- Door opening is 11³/₄" wide
- Features a DR15_ door
- Wood Spin Units feature:
 - » One fixed wood spin unit mounted on cabinet floor and all other spin units are attached to 3/4" adjustable shelf
 - » Natural finish with 1" lip
- Specialty Door cabinets (SD) feature Matching Interior standard and require a specialty door selection

| |
|-----|
| FE |
| MI |
| VDO |

WOOD SPIN UNIT

42"H • 3 Spin Units

CWS2442 WD ■
CWS2442 WD SD

39"H • 3 Spin Units

CWS2439 WD ■
CWS2439 WD SD

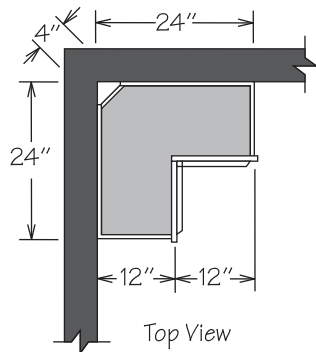
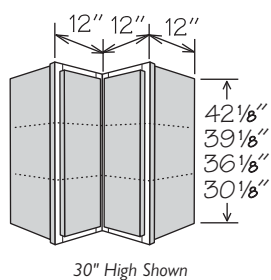
36"H • 2 Spin Units

CWS2436 WD ■
CWS2436 WD SD

30"H • 2 Spin Units

CWS2430 WD ■
CWS2430 WD SD

Wall Easy Reach



- Stile width and outside profile of both doors at door-to-door hinge may vary from standard dimension and profile for proper door function
- Must be ordered as hinged left or right
- Stile width and outside profile of both doors at door-to-door hinge may vary from standard dimension and profile for proper door function
- Doors open 170°

| |
|----|
| FE |
| MI |

12" DEEP

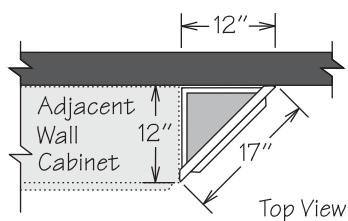
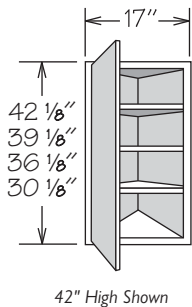
42"H • 3 Shelves
WER2442

39"H • 3 Shelves
WER2439

36"H • 2 Shelves
WER2436

30"H • 2 Shelves
WER2430

Wall End Angle • 1 Door



- Requires 12" x 12" space
- Features a DR15_ door
- Must be ordered as hinged left or right
- Specialty Door cabinets (SD) feature Matching Interior standard and require a specialty door selection

| |
|-------|
| MI ■ |
| VDO ■ |

12" DEEP

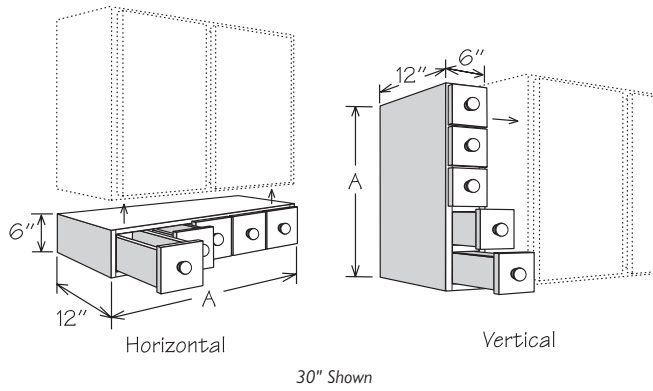
42"H • 3 Shelves
WEA1242 ■
WEA1242 SD

39"H • 3 Shelves
WEA1239 ■
WEA1239 SD

36"H • 2 Shelves
WEA1236 ■
WEA1236 SD

30"H • 2 Shelves
WEA1230 ■
WEA1230 SD

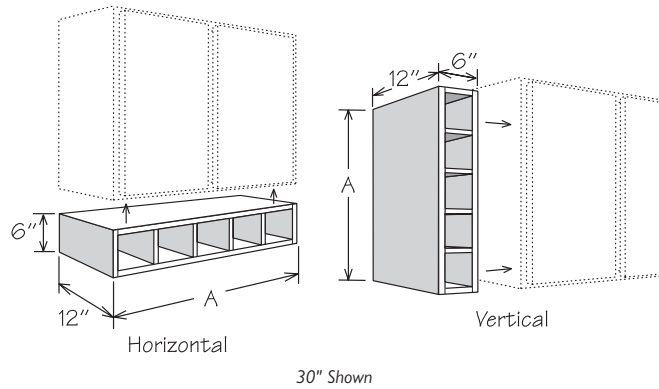
Spice Drawer Cabinet



- Designed for horizontal or vertical installation
- Vertical installation may require the use of fillers and/or molding which must be ordered separately
- Features veneered engineered wood with 1/2" thick slab drawer fronts for all construction packages
- Flush sides with no face frame or 1/4" reveals
- All wood drawer body with dovetail construction
- AVELEY, MCKELLER and TILSON door styles feature white porcelain knobs, all other door styles feature matching wood knobs

| 12" DEEP | A | NUMBER OF DRAWERS |
|----------|-----|-------------------|
| SDC18 | 18" | 3 |
| SDC24 | 24" | 4 |
| SDC30 | 30" | 5 |
| SDC36 | 36" | 6 |

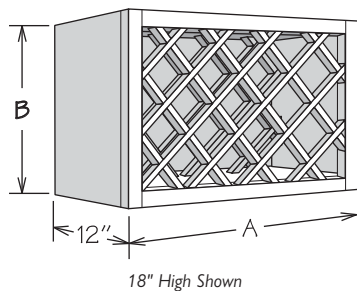
Storage Cube



- Designed for horizontal or vertical installation
- Vertical installation may require the use of fillers and/or molding which must be ordered separately
- Opening size is 5" wide x 4 1/2" high (horizontal) which will accommodate most wine bottles and various other storage needs
- Features 3/4" veneered engineered wood finished to match cabinet box exterior for all construction packages
- Flush sides with no face frame or 1/4" reveals
- Interior finished to match cabinet box exterior
- Cannot be retrofitted with Spice Drawer Cabinet drawers

| 12" DEEP | A | NUMBER OF OPENINGS |
|----------|-----|--------------------|
| SC30 | 30" | 5 |
| SC36 | 36" | 6 |
| SC42 | 42" | 7 |

Wine Rack Cabinet

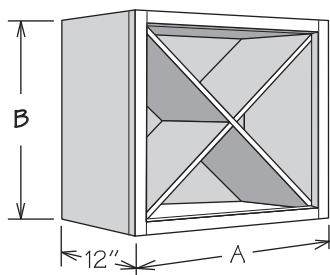


- Interior finished to match cabinet box exterior
- Wine bottle opening is 4" x 4"
- Cabinet must be installed between two adjacent cabinets, one cabinet and a wall, or secured to a cabinet directly above or below

FE

| 12" DEEP | A | B | NUMBER OF BOTTLES |
|------------------------|-----|---------|-------------------|
| 18"H WRC3018 | 30" | 18 1/8" | 11 |
| 15"H WRC3015 | 30" | 15 1/8" | 10 |
| WRC3615 | 36" | 15 1/8" | 13 |

Wine Storage Cabinet

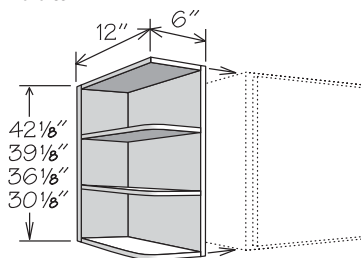


- Interior finished to match cabinet box exterior
- Features 3/4" plywood partitions for all construction packages
- Accent molding recommended – order separately
- Cabinet must be installed between two adjacent cabinets, one cabinet and a wall, or secured to a cabinet directly above or below

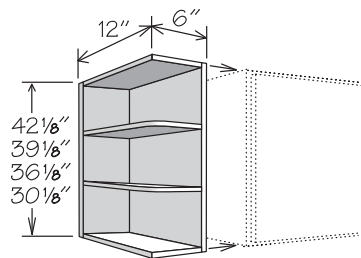
FE

| 12" DEEP | A | B | NUMBER OF BOTTLES |
|-------------|-----|---------|-------------------|
| 24"H | | | |
| WSC2424 | 24" | 24 1/2" | 30 |
| 18"H | | | |
| WSC1818 | 18" | 18 1/8" | 12 |

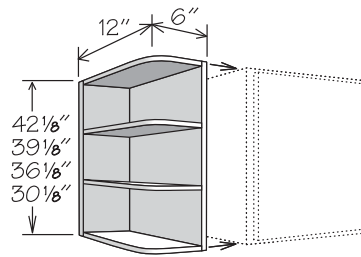
Shelf End Wall



SQUARE TOP, ROUND BOTTOM (SQT)
30" High Shown



SQUARE TOP & BOTTOM (SQTB)
30" High Shown



ROUND TOP & BOTTOM (SEW)
30" High Shown

- Interior finished to match cabinet box exterior
- Features 1/2" veneered engineered wood back and side for all construction packages
- Top, bottom, and shelves are 3/4" veneered engineered wood for all construction packages
- Rounded shelves feature a 3" radius
- 1/8" screw recommended from inside of adjacent cabinet for installation
- Rounded bottom on SEW_ SQT does not allow cabinet to be reversed in the field or installation of bottom molding

12" DEEP

42"H • 3 Shelves

SEW42L SQT
SEW42R SQT
SEW42 SQT
SEW42 SQT
SEW42

39"H • 3 Shelves

SEW39L SQT
SEW39R SQT
SEW39 SQT
SEW39 SQT
SEW39

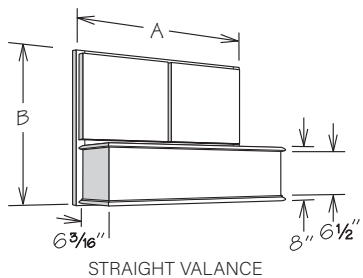
36"H • 2 Shelves

SEW36L SQT
SEW36R SQT
SEW36 SQT
SEW36 SQT
SEW36

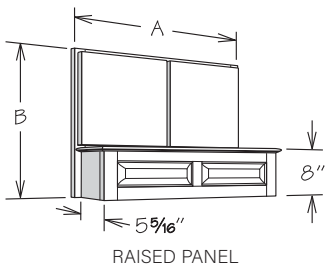
30"H • 2 Shelves

SEW30L SQT
SEW30R SQT
SEW30 SQT
SEW30 SQT
SEW30

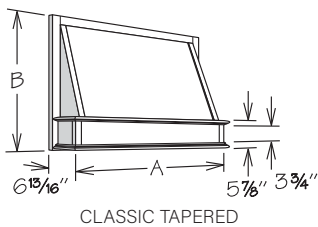
Wall Range Hood



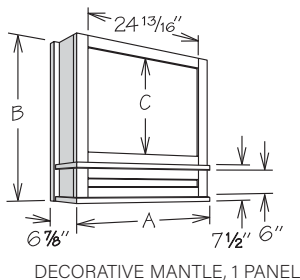
STRAIGHT VALANCE



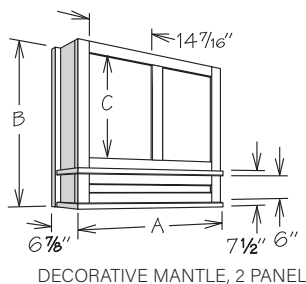
RAISED PANEL



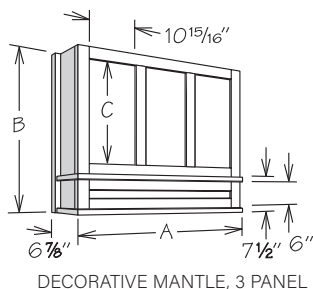
CLASSIC TAPERED



DECORATIVE MANTLE, 1 PANEL



DECORATIVE MANTLE, 2 PANEL

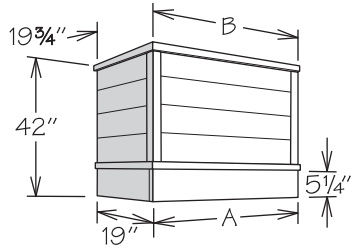


DECORATIVE MANTLE, 3 PANEL

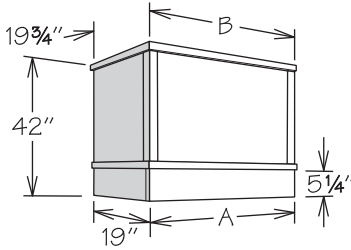
- Must be installed between two wall cabinets
- Silver metallic liner included
- Order range hood blower separately - not for use with RHVENT 960
- All finished surfaces will match cabinet box exterior - glazed door styles will be glazed
- Straight Valance and Raised Panel Range Hoods feature:
 - » Center stile and functioning BUTT doors allow for duct work installation and wiring
 - » Doors will match door style ordered

| | A | B | C | DOORS |
|------------------------------------|-----|-----|----------|-----------------|
| Straight Valance | | | | |
| WRH3024 SV | 30" | 24" | - | (2) DR1515 BUTT |
| WRH3624 SV | 36" | 24" | - | (2) DR1815 BUTT |
| WRH3027 SV | 30" | 27" | - | (2) DR1518 BUTT |
| WRH3627 SV | 36" | 27" | - | (2) DR1818 BUTT |
| WRH3030 SV | 30" | 30" | - | (2) DR1521 BUTT |
| WRH3630 SV | 36" | 30" | - | (2) DR1821 BUTT |
| Raised Panel | | | | |
| WRH3024 RP | 30" | 24" | - | (2) DR1515 BUTT |
| WRH3624 RP | 36" | 24" | - | (2) DR1815 BUTT |
| WRH3027 RP | 30" | 27" | - | (2) DR1518 BUTT |
| WRH3627 RP | 36" | 27" | - | (2) DR1818 BUTT |
| WRH3030 RP | 30" | 30" | - | (2) DR1521 BUTT |
| WRH3630 RP | 36" | 30" | - | (2) DR1821 BUTT |
| Classic Tapered | | | | |
| WRH3024 CT | 30" | 24" | - | - |
| WRH3624 CT | 36" | 24" | - | - |
| Decorative Mantle - 1 Panel | | | | |
| WRH3024 DM | 30" | 24" | 12 5/16" | - |
| WRH3030 DM | 30" | 30" | 18 5/16" | - |
| WRH3036 DM | 30" | 36" | 24 5/16" | - |
| Decorative Mantle - 2 Panel | | | | |
| WRH3624 DM | 36" | 24" | 12 5/16" | - |
| WRH3630 DM | 36" | 30" | 18 5/16" | - |
| WRH3636 DM | 36" | 36" | 24 5/16" | - |
| Decorative Mantle - 3 Panel | | | | |
| WRH4236 DM | 42" | 36" | 24 5/16" | - |

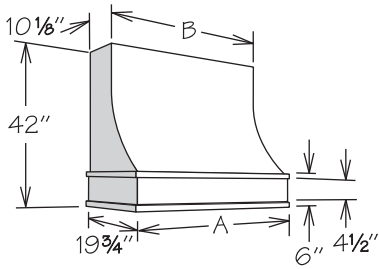
Range Hood • Integrated Chimney



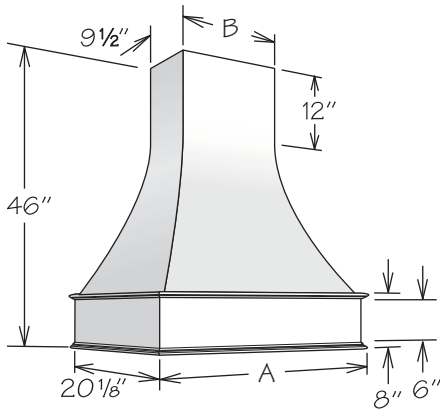
SHIPLAP BOX



MODERN BOX



SLOPED

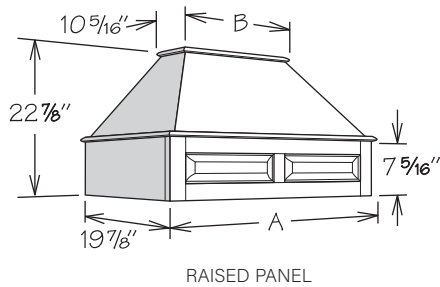
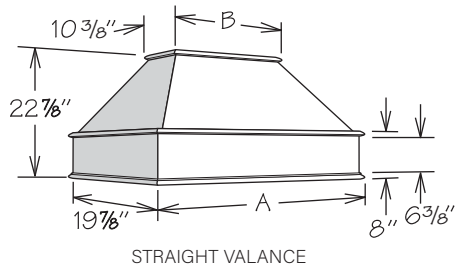


ARTISAN

- All door styles are finished to match cabinet box exterior - glazed door styles will be glazed
- Wall mounted installation only
- Silver metallic liner included - liner specific to range hood and blower ordered
 - » If no blower ordered, RHLNER__S will be included
- Order range hood blower separately
- Not recommended for use with Recirculating Blowers (RHVENT 260R & RHVENT 400R)
- Field trimmable in height to 24"
- RH_SB and RH_MB include field installed corner molding and removable top molding
- Features a french cleat install system which requires 1" gap between hood and ceiling - molding recommended to cover the gap

| | A | B |
|--------------------|----------|---------|
| Shiplap Box | | |
| RH3642 SB | 36" | 37 1/2" |
| RH4242 SB | 42" | 43 1/2" |
| RH4842 SB | 48" | 49 1/2" |
| Modern Box | | |
| RH3642 MB | 36" | 37 1/2" |
| RH4242 MB | 42" | 43 1/2" |
| RH4842 MB | 48" | 49 1/2" |
| Sloped | | |
| RH3642 SL | 37 9/16" | 34 1/2" |
| RH4242 SL | 43 9/16" | 40 1/2" |
| Artisan | | |
| RH3646 A | 38 5/16" | 17" |
| RH4246 A | 44 5/16" | 23" |

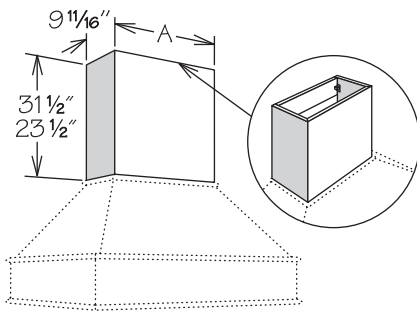
Range Hood



- All door styles are finished to match cabinet box exterior - glazed door styles will be glazed
- Wall mounted installation only
- Order range hood blower separately
- Silver metallic liner included - liner is specific to range hood and blower ordered
 - » If no blower is ordered, RHLINER_S will be included
- May be accessorized with Range Hood Chimney - order separately

| | A | B |
|-------------------------|---------|----------|
| Straight Valance | | |
| RH3624 SV | 37 3/4" | 18 3/4" |
| RH4224 SV | 43 3/4" | 24 3/4" |
| RH4824 SV | 49 3/4" | 30 3/4" |
| Raised Panel | | |
| RH3624 RP | 37 3/4" | 18 5/16" |
| RH4224 RP | 43 3/4" | 24 5/16" |
| RH4824 RP | 49 3/4" | 30 5/16" |

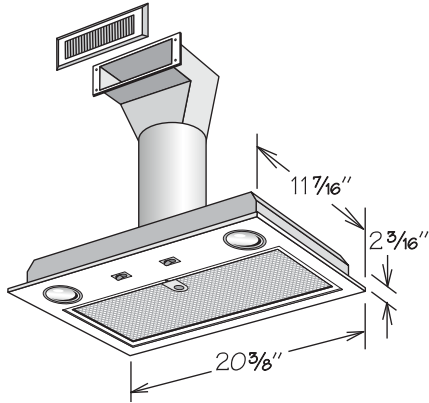
Range Hood Chimney



- Field trimmable in height
- All door styles feature 3/4" solid wood finished to match cabinet box exterior for all construction packages
- Features two chimney mounting blocks with metal fasteners
- For use with Straight Valance or Raised Panel Range Hoods

| 23 1/2" HIGH | A | 31 1/2" HIGH | A |
|---------------------|---------|---------------------|---------|
| RHC3623 | 17 3/8" | RHC3631 | 17 3/8" |
| RHC4223 | 23 3/8" | RHC4231 | 23 3/8" |
| RHC4823 | 29 3/8" | RHC4831 | 29 3/8" |

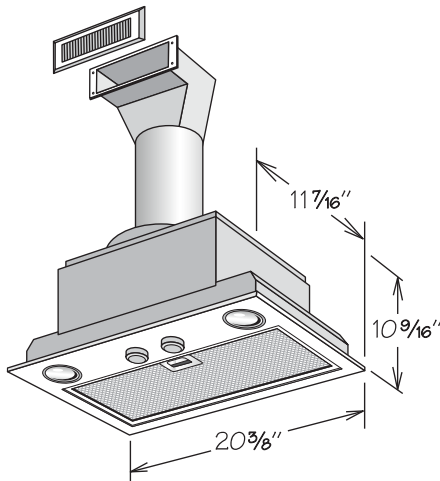
Range Hood Blower • 260 CFM Recirculating



- Designed for recirculating installation where exhaust is vented back into kitchen
- Recommended for use in spaces with soffit or bulkheads
- Not recommended for use with Integrated Chimney Range Hoods
- Includes duct work, metal grille and clips -- field assembly required
- Stainless steel finish
- 2-speed fan provides 260 CFM on high
- Sound level of 7 sones on high
- Features quick-release dishwasher safe aluminum mesh filter
- Includes two 2.8W bright LED lights
- Metal grille measures 11 1/4" x 5 5/16"
- 10" x 3" cutout required for metal grille
- Installation and care instructions included
- Liner not included

RHVENT 260R

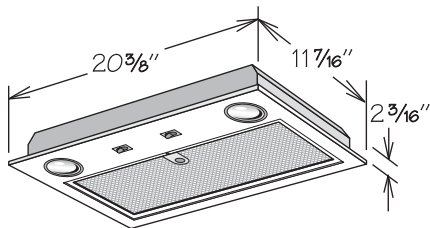
Range Hood Blower • 400 CFM Recirculating



- Designed for recirculating installation where exhaust is vented back into kitchen
- Recommended for use in spaces with soffit or bulkheads
- Not recommended for use with Integrated Chimney Range Hoods
- Includes duct work, metal grille and clips -- field assembly required
- Stainless steel finish
- Energy Star rated
- Features 3-speed rotary switch
- Fan provides 400 CFM on high
- Sound level of 6 sones on high
- Features quick-release dishwasher safe aluminum mesh filter
- Includes two 2.8W bright LED lights
- Unit has master on-off switch and heat sentry will automatically turn unit on when excessive heat is detected
- Metal grille measures 11 1/4" x 5 5/16"
- 10" x 3" cutout required for metal grille
- Installation and care instructions included
- Liner not included

RHVENT 400R

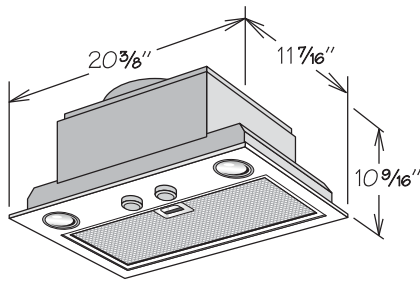
Range Hood Blower • 260 CFM Vented



- Designed for vented installation where exhaust is vented to exterior of home
- Stainless steel finish
- Requires 7" round duct for venting to exterior (not included)
- 2-speed fan provides 260 CFM on high
- Sound level of 7 sones on high
- Features quick-release dishwasher safe aluminum mesh filter
- Includes two 2.8W bright LED lights
- Installation and care instructions included
- Liner not included

RHVENT 260

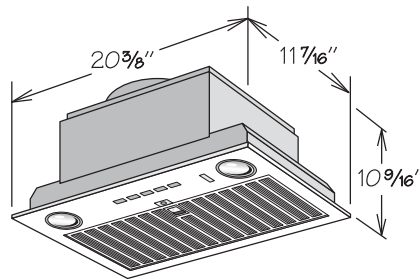
Range Hood Blower • 400 CFM Vented



- Designed for vented installation where exhaust is vented to exterior of home
- Stainless steel finish
- Energy Star rated
- Features 3-speed rotary switch
- Fan provides 400 CFM on high with rectangular duct and 390 CFM on high with round duct
- Requires 6" vertical round or rectangular 3/4" x 10" duct for venting to exterior (not included)
- Sound level of 6 sones on high
- Features quick-release dishwasher safe aluminum mesh filter
- Includes two 2.8W bright LED lights
- Unit has master on-off switch and heat sentry will automatically turn unit on when excessive heat is detected
- Installation and care instructions included
- Liner not included

RHVENT 400

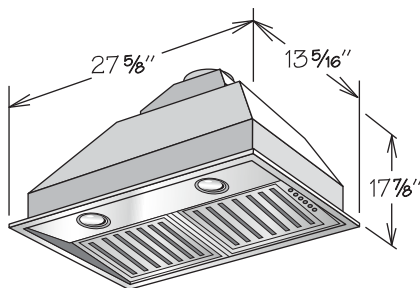
Range Hood Blower • 600 CFM Vented



- Designed for vented installation where exhaust is vented to exterior of home
- Stainless steel finish
- Features 4-speed back-lit Electronic Soft Touch controls
- Requires 8" round, 6" round or 3/4" x 10" venting to exterior (not included)
- Fan provides 600 CFM on high with round duct or 580 CFM on high with rectangular duct
- Sound level of 9.5 sones on high
- Features quick-release dishwasher safe baffle-style filter with clean filter reminder
- Includes two 3W bright LED lights with 3 lighting levels
- Unit has master on-off switch and heat sentry will automatically turn unit on when excessive heat is detected
- Auto-Sensing option sets CFM to correct level automatically
- Wifi enabled option allows for voice control
- Installation and care instructions included
- Liner not included

RHVENT 600

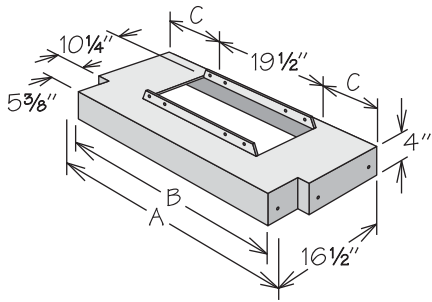
Range Hood Blower • 960 CFM Vented



- Designed for vented installation where exhaust is vented to exterior of home
- Durable stainless steel with brushed finish
- Requires 7" round duct for venting to exterior (not included)
- Features a 4-speed push-button control to offer greater CFM flexibility; 960 CFM, 660 CFM, 480 CFM and 300 CFM
- Centrifugal blower provides 960 CFM air delivery and sound level of 5.1 sones on high
- Features quick-release dishwasher safe baffle-style filter
- Includes two 4-watt 12v MR16 LED bulbs - daylight
- 10 minute delay off timer
- Installation and care instructions included
- Not designed for use with the following:
 - » Straight Valance Wall Range Hoods
 - » Raised Panel Wall Range Hoods
 - » Classic Tapered Wall Range Hoods
 - » Decorative Mantle Wall Range Hoods
- Liner not included

RHVENT 960

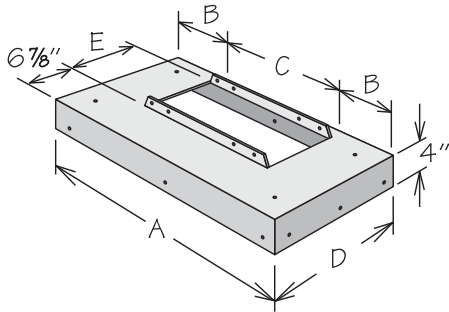
Tapered Hood Liner



- Liner is silver metallic powder coated metal
- For use with the following Wall Range Hoods:
 - » Straight Valance (WRH__SV)
 - » Raised Panel (WRH__RP)
 - » Classic Tapered (WRH__CT)
 - » Decorative Mantle (WRH__DM)
- One liner included with range hood

| | A | B | C |
|------------|------------------------------------|-----------------------------------|-----------------------------------|
| RHLINER 30 | 29 ¹⁵ / ₁₆ " | 26 ⁷ / ₁₆ " | 5 ⁷ / ₃₂ " |
| RHLINER 36 | 35 ¹⁵ / ₁₆ " | 32 ³ / ₁₆ " | 8 ⁷ / ₃₂ " |
| RHLINER 42 | 41 ¹⁵ / ₁₆ " | 38 ¹ / ₁₆ " | 11 ⁷ / ₃₂ " |

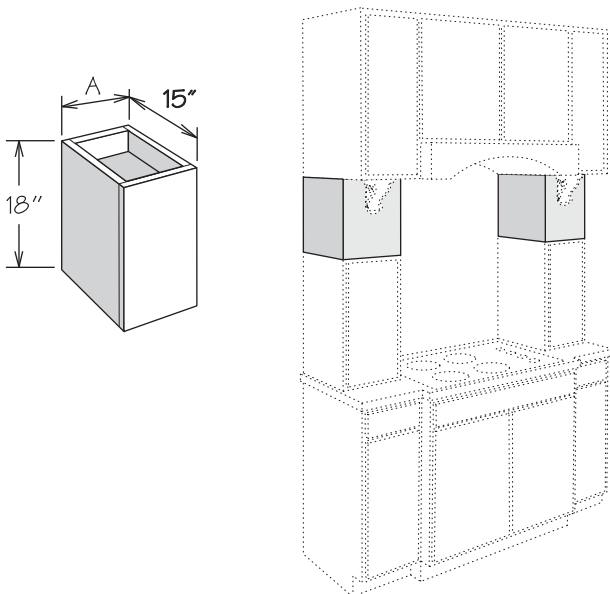
Straight Valance Hood Liner



- Liner finish is silver metallic powder-coated material
- For use with the following Range Hoods:
 - » Modern Box (RH__MB)
 - » Shiplap Box (RH__SB)
 - » Straight Valance (RH__SV)
 - » Raised Panel (RH__RP)
 - » Sloped (RH__SL)
 - » Artisan (RH__A)
- RHLINER_S SL1 must be used with RHVENT 960 blower
- RHLINER_S for use with all blowers except RHVENT 960
- One liner included with range hood (liner is specific to range hood and blower ordered)

| | A | B | C | D | E |
|-----------------|-----------------------------------|-----------------------------------|------------------------------------|-----------------------------------|-----------------------------------|
| RHLINER 36S | 34 ¹ / ₃₂ " | 7 ⁷ / ₁₆ " | 19 ¹ / ₂ " | 18 ¹ / ₄ " | 10 ¹ / ₄ " |
| RHLINER 42S | 40 ¹ / ₃₂ " | 10 ⁷ / ₁₆ " | 19 ¹ / ₂ " | 18 ¹ / ₄ " | 10 ¹ / ₄ " |
| RHLINER 48S | 46 ¹ / ₃₂ " | 13 ⁷ / ₁₆ " | 19 ¹ / ₂ " | 18 ¹ / ₄ " | 10 ¹ / ₄ " |
| RHLINER 36S SL1 | 34 ¹ / ₃₂ " | 3 ³ / ₄ " | 26 ¹³ / ₁₆ " | 18 ³ / ₁₆ " | 12 ⁷ / ₁₆ " |
| RHLINER 42S SL1 | 40 ¹ / ₃₂ " | 6 ³ / ₄ " | 26 ¹³ / ₁₆ " | 18 ³ / ₁₆ " | 12 ⁷ / ₁₆ " |
| RHLINER 48S SL1 | 46 ¹ / ₃₂ " | 9 ³ / ₄ " | 26 ¹³ / ₁₆ " | 18 ³ / ₁₆ " | 12 ⁷ / ₁₆ " |

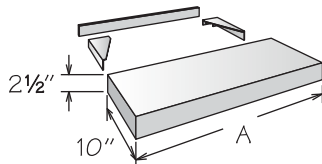
Plain Box Filler



- Veneered engineered wood for all construction packages
- Features ¹/₄" reveal
- Trimmable in height to 14 ¹/₈" tall
- Reversible for left or right installation

| 15" DEEP | A |
|-----------------|----------|
| WPB91815 | 9" |
| WPB121815 | 12" |

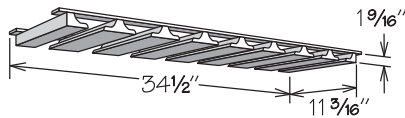
Floating Shelf



- Not trimmable
- Finished on all sides to match cabinet box exterior
- Features veneered engineered wood top and bottom and solid wood front and sides for all construction packages
- When installed between two cabinets, Furniture Ends (FE) is recommended for adjacent cabinets
- Must be secured to studs in wall
- Installation instructions, mounting brackets and screws included

| 10" DEEP | A | MAX. LOAD |
|----------|-----|-----------|
| FLSH2410 | 24" | 30 lbs. |
| FLSH3010 | 30" | 37 lbs. |
| FLSH3610 | 36" | 45 lbs. |
| FLSH4210 | 42" | 52 lbs. |
| FLSH4810 | 48" | 60 lbs. |

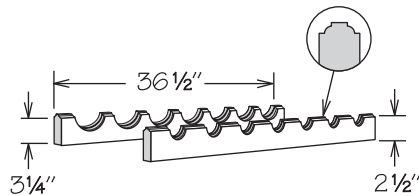
Stem Glass Holder



- Field trimmable to install below 18", 24", 30", or 36" wide wall cabinet
- All door styles feature solid wood finished to match cabinet box exterior
- Maximum stem glass base is 3/2" in diameter
- Not sized to fit modified depth cabinets

SGH36U

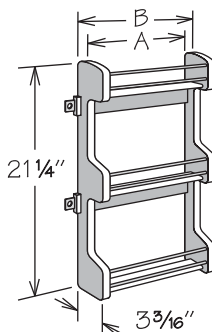
Wine Rack



- Accommodates seven bottles
- Field trimmable to 24" (five bottles) or 30" (six bottles)
- All door styles feature solid wood finished to match cabinet box exterior

WR36

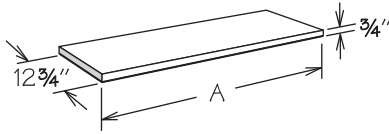
Spice Rack Kit



- Field installation accessory
- For wall cabinets 30" or higher
- Position cabinet adjustable shelves prior to installation
- Natural finish solid wood with chrome rails
- Three fixed shelves
- SRK15 mounts to 15" wide door
- SRK18 mounts to 18" wide door
- SRK21 mounts to 21" wide door

| | A | B |
|-------|---------|---------|
| SRK15 | 9 1/2" | 10 1/2" |
| SRK18 | 12 1/2" | 13 1/2" |
| SRK21 | 15 1/2" | 16 1/2" |

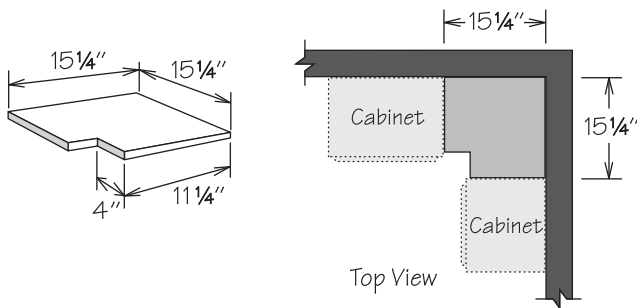
Finished Shelf



- Standard finished shelves feature veneered engineered wood, edge banded on all sides with top and bottom finished to match cabinet box exterior for all construction packages
- Field trimmable

| STANDARD | A |
|----------|---------|
| FS4812 | 48 1/4" |
| FS6012 | 60 1/4" |
| FS7212 | 72 1/4" |

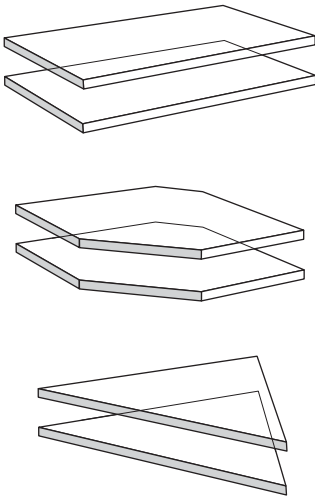
Blind Corner Closure



- Features 1/2" engineered wood finished with natural woodgrain finish both sides for all construction packages
- Field trimmable

BLC1515

Glass Shelf Kit



- Glass Shelf Kit includes two 1/4" high-strength tempered glass shelves
- Use existing shelf rests
- Refer to individual SKU box for number of shelves required and/or available
- GSK12 - GSK36 is 10 1/4" deep
- GSK12-15 - GSK36-15 is 13 1/4" deep
- Tempered glass cannot be field trimmed
- Glass Shelf Kits 12" - 24" wide have a 15 lb. per square foot load rating
- Glass Shelf Kits 27" - 36" wide have a 5 lb. per square foot load rating

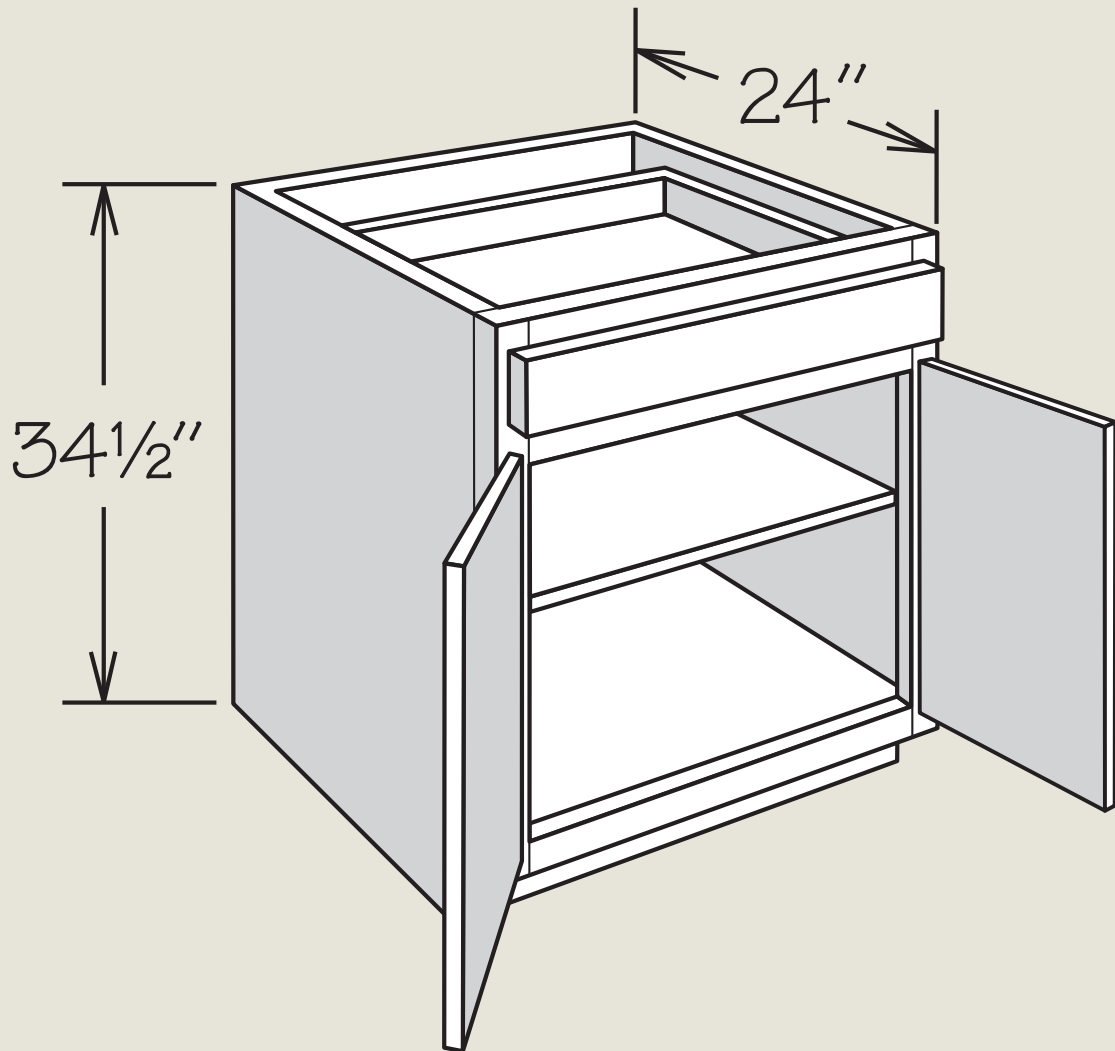
12" DEEP

GSK12
GSK15
GSK18
GSK21
GSK24
GSK27
GSK30
GSK33
GSK36
GSKCW24
GSKWEA12

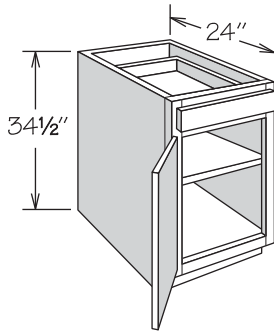
15" DEEP

GSK12-15
GSK15-15
GSK18-15
GSK21-15
GSK24-15
GSK27-15
GSK30-15
GSK33-15
GSK36-15
GSKCW27

Base Cabinets



Base Cabinet • 1 Door and 1 Drawer



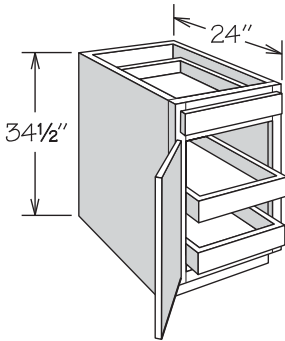
- Adjustable shelf
- Hinged left and can be reversed in the field

| |
|-----|
| AH |
| CFO |
| FE |
| RD |
| RTK |

1 SHELF

- B12
- B15
- B18
- B21
- B24

Base Cabinet • 1 Door, 1 Drawer and Deep Roll Out Trays



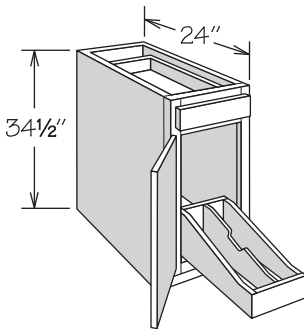
- Deep Roll Out Trays are not adjustable
- Hinged left and can be reversed in the field

| |
|-----|
| AH |
| FE |
| RD |
| RTK |
| VTD |

2 ROLL OUT TRAYS

- B12 2FWT
- B15 2FWT
- B18 2FWT
- B21 2FWT
- B24 2FWT

Base Cabinet • 1 Door, 1 Drawer and Roll-Out Tray Divider



- Roll-Out Tray Divider in natural finish solid wood and wood veneer and dovetail (front only) construction with engineered wood bottom for all construction packages
- B12 ROTD features two compartments (one partition)
- B15 ROTD features three compartments (two partitions)
- Partitions are field installed
- No shelf
- Hinged left and can be reversed in the field

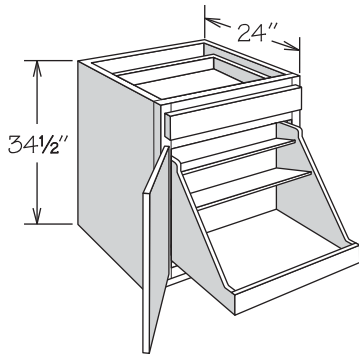
| |
|-----|
| AH |
| FE |
| RTK |

ROLL-OUT TRAY DIVIDER

- B12 ROTD
- B15 ROTD

Base Cabinet • 1 Door, 1 Drawer and Pot & Pan Organizer

| |
|-----|
| AH |
| FE |
| RTK |
| VTD |



- Organizer features natural finish solid wood, wood veneer and dovetail (front only) construction with engineered wood bottom for all construction packages
- Top shelf of organizer measures 6³/₁₆" deep
- Middle shelf of organizer measures 9⁷/₄" deep
- Hinged left and can be reversed in the field

BASE POT & PAN ORGANIZER

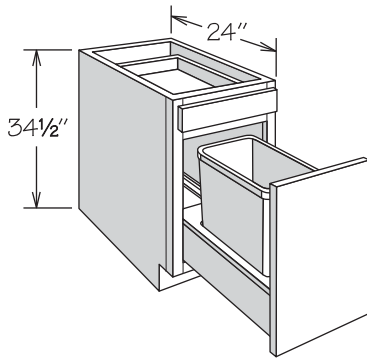
B24 BPPO

Base Cabinet • 1 Drawer and Door with Wastebasket Pull-Out

NEW!

UPDATE

| |
|-----|
| AH |
| FE |
| RTK |



1 WASTEBASKET

- **UPDATE:** Wastebasket frame slides on soft-close heavy-duty (100 pound rated) glides for all construction packages
 - » Upper drawer system will feature standard construction
- Wastebasket rests in a natural finish wood frame
- BWBB15 features one silver plastic 35-quart capacity bin
- BWBB15-2 features two silver plastic 27-quart capacity bins
- BWBB18-2 and BWBB21-2 feature two silver plastic 35-quart capacity bins
- Decorative hardware strongly recommended

1 WASTEBASKET

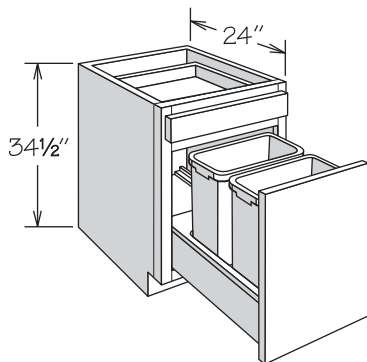
BWBB15

2 WASTEBASKETS

BWBB15-2

BWBB18-2

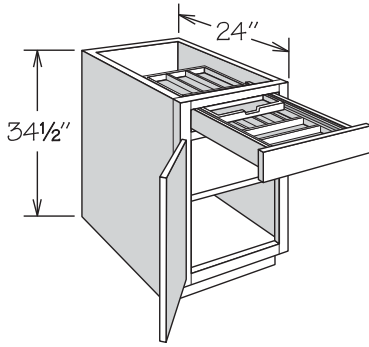
BWBB21-2



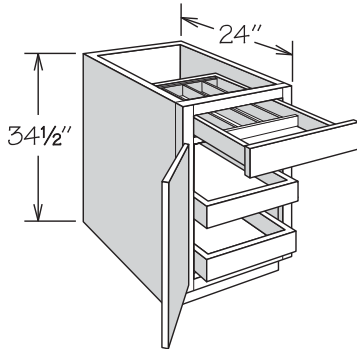
2 WASTEBASKETS

Base Cabinet • Drawer Accessories • 1 Door

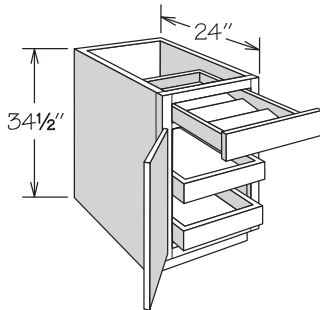
| |
|-----|
| FE |
| RTK |



1 SHELF
18" Wood Tiered Cutlery Divider Shown



2 ROLL OUT TRAYS
18" Cutlery Divider Shown



2 ROLL OUT TRAYS
18" Spice Drawer Insert Shown

- **essential** features solid hardwood dovetail drawer with full access glides
- Cutlery Divider features solid hardwood and plywood in natural finish
- Spice Drawer Insert features solid hardwood and plywood in natural finish and accommodates most spice containers (not included)
- Wood Tiered Cutlery Divider features:
 - » Solid hardwood and plywood in natural finish
 - » Upper section slides independently from drawer
- Refer to specifications on individual cabinets and accessories for more details

| WOOD TIERED CUTLERY DIVIDER | UPPER SECTION | LOWER SECTION |
|-----------------------------|---------------|---------------|
| 15" | 5 | 5 |
| 18" | 5 | 6 |
| 21" | 6 | 7 |
| 24" | 7 | 7 |

| CUTLERY DIVIDER | SECTIONS |
|-----------------|----------|
| 15" | 4 |
| 18" | 5 |
| 21" | 6 |
| 24" | 6 |

1 SHELF

Wood Tiered Cutlery Divider

B15 WTCD
B18 WTCD
B21 WTCD
B24 WTCD

Cutlery Divider

B15 CD
B18 CD
B21 CD
B24 CD

Spice Drawer Insert

B15 SDI
B18 SDI
B21 SDI
B24 SDI

2 ROLL OUT TRAYS

Wood Tiered Cutlery Divider

B15 2FWT WTCD
B18 2FWT WTCD
B21 2FWT WTCD
B24 2FWT WTCD

Cutlery Divider

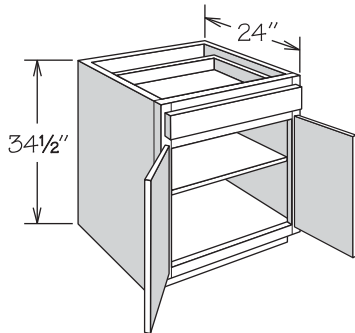
B15 2FWT CD
B18 2FWT CD
B21 2FWT CD
B24 2FWT CD

Spice Drawer Insert

B15 2FWT SDI
B18 2FWT SDI
B21 2FWT SDI
B24 2FWT SDI

Base Cabinet • 2 Butt Doors and 1 Drawer

| |
|-----|
| AH |
| CFO |
| FE |
| RD |
| RTK |

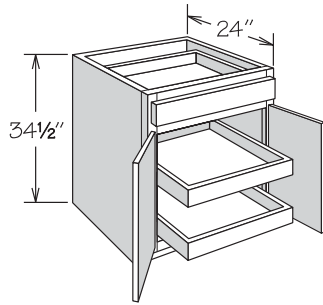


- Full-depth adjustable shelf

1 SHELF

B24 BUTT
B27 BUTT
B30 BUTT
B33 BUTT
B36 1TD BUTT

Base Cabinet • 2 Butt Doors, 1 Drawer and Deep Roll Out Trays



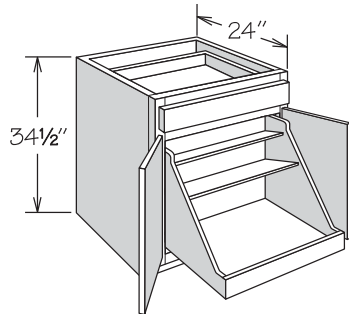
- Deep Roll Out Trays are not adjustable

| |
|-----|
| AH |
| FE |
| RD |
| RTK |
| VTD |

2 ROLL OUT TRAYS

B24 2FWT BUTT
 B27 2FWT BUTT
 B30 2FWT BUTT
 B33 2FWT BUTT
 B36 2FWT 1TD BUTT

Base Cabinet • 2 Butt Doors, 1 Drawer and Pot & Pan Organizer



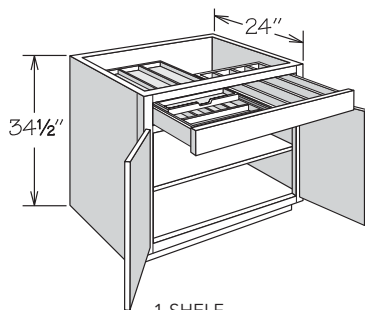
- Organizer features natural finish solid wood, wood veneer and dovetail (front only) construction with engineered wood bottom for all construction packages
- Top shelf of organizer measures 6³/₁₆" deep
- Middle shelf of organizer measures 9³/₄" deep

| |
|-----|
| AH |
| FE |
| RTK |
| VTD |

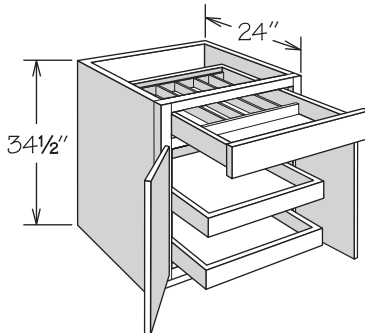
BASE POT & PAN ORGANIZER

B24 BUTT BPPO
 B27 BUTT BPPO
 B30 BUTT BPPO
 B33 BUTT BPPO
 B36 1TD BUTT BPPO

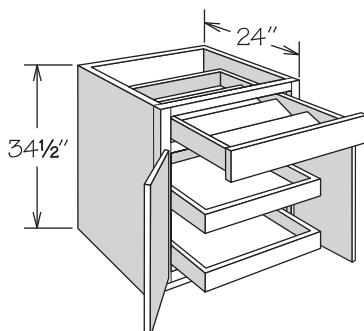
Base Cabinet • Drawer Accessories • 2 Doors



1 SHELF
 30" Wood Tiered Cutlery Divider Shown



2 ROLL OUT TRAYS
 24" Cutlery Divider Shown



2 ROLL OUT TRAYS
 24" Spice Drawer Insert Shown

| |
|-----|
| FE |
| RTK |

- **essential** features solid hardwood dovetail drawer with full access glides
- Cutlery Divider features solid hardwood and plywood in natural finish
- Spice Drawer Insert features solid hardwood and plywood in natural finish and accommodates most spice containers (not included)
- Wood Tiered Cutlery Divider features:
 - » Solid hardwood and plywood in natural finish
 - » Upper section slides independently from drawer
 - » Additional cooking utensil section on 30" or wider
- Refer to specifications on individual cabinets and accessories for more details

| WOOD TIERED CUTLERY DIVIDER | UPPER SECTIONS | LOWER SECTIONS | COOKING UTENSIL SECTIONS |
|-----------------------------|----------------|----------------|--------------------------|
| 24" | 7 | 7 | - |
| 30" | 5 | 5 | 4 |
| 36" | 5 | 5 | 5 |

| CUTLERY DIVIDER | SECTIONS |
|-----------------|----------|
| 24" | 6 |
| 30" | 7 |
| 36" | 8 |

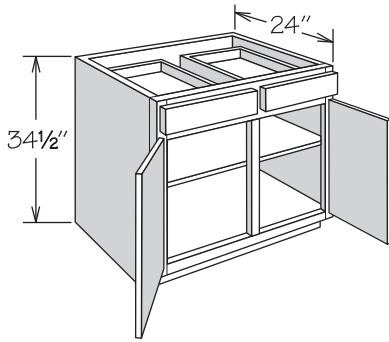
1 SHELF

Wood Tiered Cutlery Divider
 B24 BUTT WTCD BUTT
 B30 BUTT WTCD
 B36 1TD BUTT WTCD
Cutlery Divider
 B24 BUTT CD
 B30 BUTT CD
 B36 1TD BUTT CD
Spice Drawer Insert
 B24 BUTT SDI

2 ROLL OUT TRAYS

Wood Tiered Cutlery Divider
 B24 2FWT BUTT WTCD
 B30 2FWT BUTT WTCD
 B36 1TD 2FWT BUTT WTCD
Cutlery Divider
 B24 2FWT BUTT CD
 B30 2FWT BUTT CD
 B36 1TD 2FWT BUTT CD
Spice Drawer Insert
 B24 2FWT BUTT SDI

Base Cabinet • 2 Doors and 2 Drawers



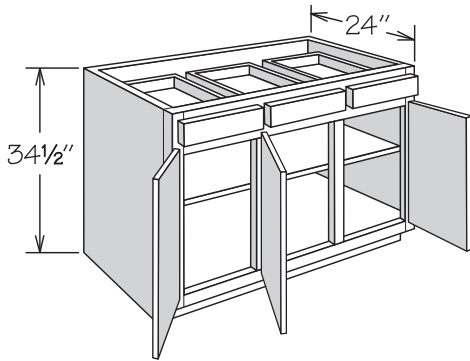
- Adjustable shelf
- Center support for shelf provided

| |
|-----|
| AH |
| CFO |
| FE |
| RD |
| RTK |

1 SHELF

B39
B42
B48

Base Cabinet • 3 Doors and 3 Drawers



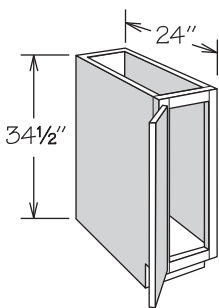
- Adjustable shelf
- Full-depth shelf for **select** and **luxury** must be installed through top of cabinet and cannot be removed through door opening
- Center support for shelf provided
- Hinged as shown – can be reversed in the field

| |
|-----|
| AH |
| CFO |
| FE |
| RD |
| RTK |

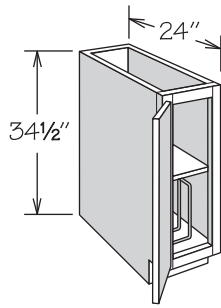
1 SHELF

B45

Full-Height Base Cabinet • 1 Door



NO SHELF



1 SHELF & TRAY DIVIDER

- Full-height door
- Recessed Toe Kick Option available left (RTKL) or right (RTKR) only
- TB9 TDS is only available with RD-23 though RD-14
- TB9 TDS features full-depth adjustable shelf (S924) for all construction packages and Tray Divider (TD3) packaged separately for field installation
- Hinged left and can be reversed in the field

| |
|-------|
| AH |
| CFO ■ |
| FE |
| RD |
| RTK |

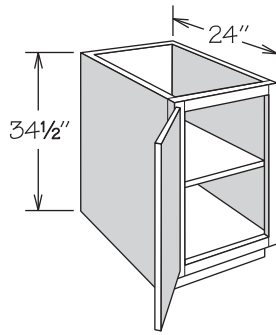
NO SHELF

TB9 ■

1 SHELF & TRAY DIVIDER

TB9 TDS

Full-Height Base Cabinet • 1 Door



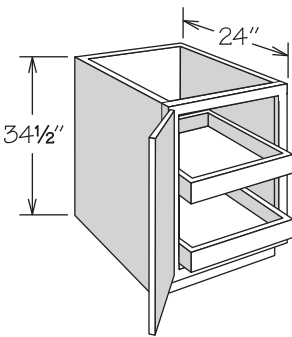
- Adjustable shelf
- Full-height door
- Hinged left and can be reversed in the field

| |
|-----|
| AH |
| CFO |
| FE |
| RD |
| RTK |

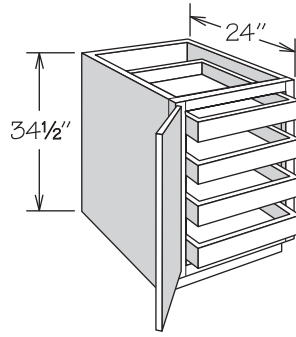
1 SHELF

B12 FH
B15 FH
B18 FH
B21 FH
B24 FH

Full-Height Base Cabinet • 1 Door and Deep Roll Out Trays



2 ROLL OUT TRAYS



4 ROLL OUT TRAYS

- Full-height door
- Deep Roll Out Trays are not adjustable
- Distance between two roll out trays is 10 13/16"
- Distance between four roll out trays is 4 7/16"
- Hinged left and can be reversed in the field

| |
|-----|
| AH |
| FE |
| RD |
| RTK |

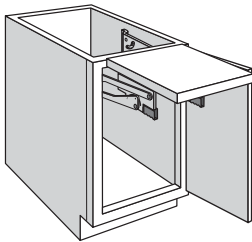
2 ROLL OUT TRAYS

B12 FH 2FWT
B15 FH 2FWT
B18 FH 2FWT
B21 FH 2FWT
B24 FH 2FWT

4 ROLL OUT TRAYS

B12 FH 4FWT
B15 FH 4FWT
B18 FH 4FWT
B21 FH 4FWT
B24 FH 4FWT

Full-Height Base Cabinet • 1 Door and Base Mixer Lift



- Full-height door
- Features Furniture Ends standard for all construction packages
- Includes 1 3/8" thick natural finish solid wood shelf and one pair of shock dampening, adjustable tension lifts
- Supports up to 60 pounds
- Cannot be used with Deep Roll Out Tray or adjustable shelf
- Kit packaged separately for field installation

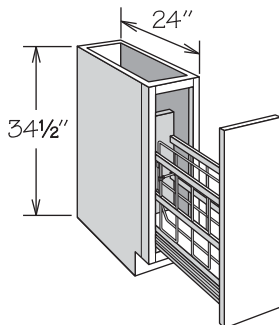
| |
|-----|
| AH |
| RTK |

BASE MIXER LIFT

B18 FH MLK

Full-Height Base Cabinet • 1 Door with Tray Divider Pull-Out

NEW! **UPDATE**



- **UPDATE:** Features full-access soft-close glides for all construction packages
- Full-height door
- Tray divider is adjustable to accommodate various storage solutions
- Decorative hardware strongly recommended
- Recessed Toe Kick Option available left (RTKL) or right (RTKR) only

| |
|-----|
| AH |
| FE |
| RTK |

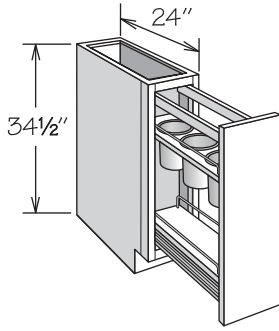
TRAY DIVIDER PULL-OUT

BTDP9

Full-Height Base Cabinet • 1 Door with Utensil Storage Pull-Out

NEW! **UPDATE**

| |
|-----|
| AH |
| FE |
| RTK |



- **UPDATE:** Features full-access soft-close glides for all construction packages
- Full-height door
- One fixed bottom and one adjustable lower shelf in a natural finish with chrome rails
- One fixed upper shelf in a natural finish with chrome rails and three stainless steel removable storage bins
- Stainless steel bins measure 5 1/4" wide x 6 1/8" deep
- Decorative hardware strongly recommended
- BPPUS9 not available with Recessed Toe Kick Both Option (RTKB)

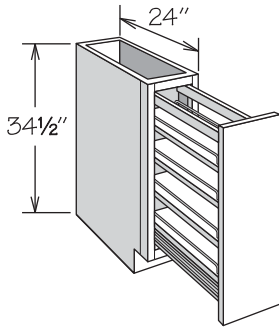
UTENSIL STORAGE PULL-OUT

BPPUS9
BPPUS12

Full-Height Base Cabinet • 1 Door with Base Pantry Pull-Out

NEW! **UPDATE**

| |
|-----|
| AH |
| FE |
| RTK |



- **UPDATE:** Features full-access soft-close glides for all construction packages
- Full-height door
- One fixed and three adjustable shelves with chrome rails
- Decorative hardware strongly recommended
- BPP9 not available with Recessed Toe Kick Both Option (RTKB)

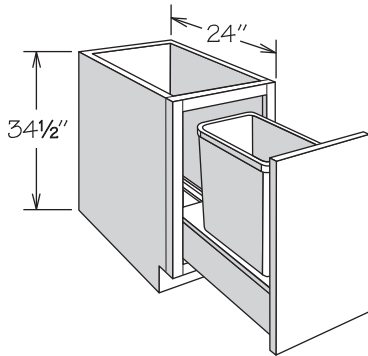
BASE PANTRY PULL-OUT

BPP9
BPP12

Full-Height Base Cabinet • 1 Door with Wastebasket Pull-Out

NEW! **UPDATE**

| |
|-----|
| AH |
| FE |
| RTK |



1 WASTEBASKET

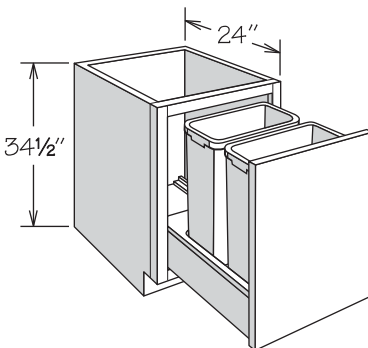
- **UPDATE:** Wastebasket frame slides on soft-close heavy-duty (100 pound rated) glides for all construction packages
- Full-height door
- Wastebasket rests in a natural finish wood frame
- BWBB15 FH and BWBB18 FH feature one silver plastic 50-quart capacity bin
- BWBB21-2 FH features two silver plastic 50-quart capacity bins
- Decorative hardware strongly recommended

1 WASTEBASKET

BWBB15 FH
BWBB18 FH

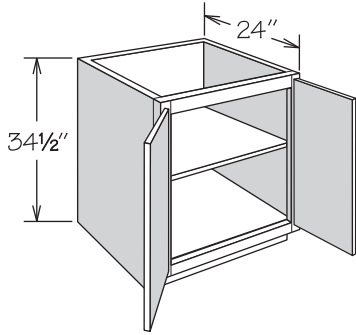
2 WASTEBASKETS

BWBB21-2 FH



2 WASTEBASKETS

Full-Height Base Cabinet • 2 Butt Doors



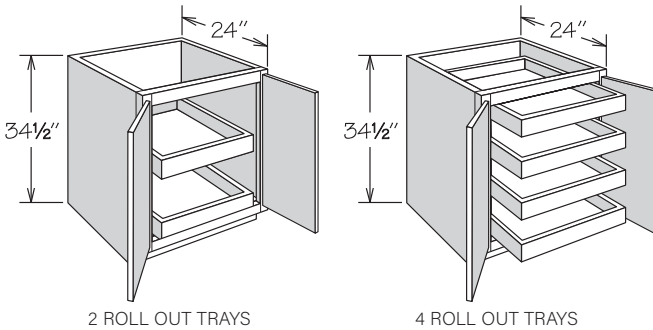
- Adjustable shelf
- Full-height butt doors
- Center support for shelf provided for cabinets 27" or wider

| |
|-----|
| AH |
| CFO |
| FE |
| RD |
| RTK |

1 SHELF

B24 BUTT FH
 B27 BUTT FH
 B30 BUTT FH
 B33 BUTT FH
 B36 BUTT FH

Full-Height Base Cabinet • 2 Butt Doors and Deep Roll Out Trays



- Full-height doors
- Deep Roll Out Trays are not adjustable
- Distance between two roll out trays is 10 13/16"
- Distance between four roll out trays is 4 7/16"

| |
|-----|
| AH |
| FE |
| RD |
| RTK |

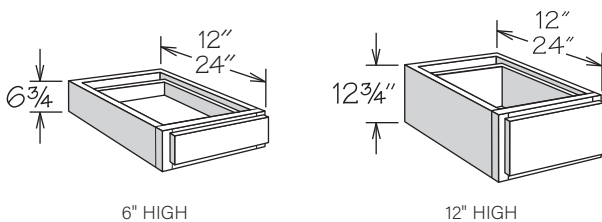
2 ROLL OUT TRAYS

B24 BUTT FH 2FWT
 B27 BUTT FH 2FWT
 B30 BUTT FH 2FWT
 B33 BUTT FH 2FWT
 B36 BUTT FH 2FWT

4 ROLL OUT TRAYS

B24 BUTT FH 4FWT
 B27 BUTT FH 4FWT
 B30 BUTT FH 4FWT
 B33 BUTT FH 4FWT
 B36 BUTT FH 4FWT

Furniture Drawer Cabinet • 1 Drawer



- 6" high features one standard drawer and 12" high features one large drawer
- 24" deep Furniture Drawer cabinets are only available with RD-23 through RD-13
- Bottom of cabinet frame must be fully supported

| |
|------|
| CFO |
| FE |
| RD ■ |

6" HIGH • 1 DRAWER

12" Deep

FD121206
 FD151206
 FD181206
 FD211206
 FD241206
 FD271206
 FD301206
 FD331206
 FD361206

24" Deep

FD122406 ■
 FD152406 ■
 FD182406 ■
 FD212406 ■
 FD242406 ■
 FD272406 ■
 FD302406 ■
 FD332406 ■
 FD362406 ■

12" HIGH • 1 DRAWER

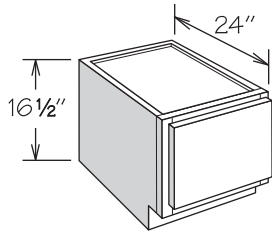
12" Deep

FD121212
 FD151212
 FD181212
 FD211212
 FD241212
 FD271212
 FD301212
 FD331212
 FD361212

24" Deep

FD122412 ■
 FD152412 ■
 FD182412 ■
 FD212412 ■
 FD242412 ■
 FD272412 ■
 FD302412 ■
 FD332412 ■
 FD362412 ■

Pedestal Drawer Cabinet • 1 Drawer



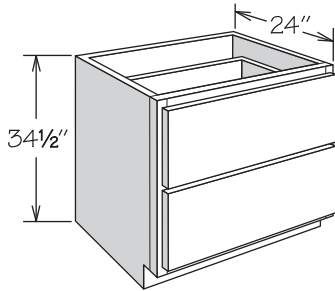
- One large drawer
- Features solid top

| |
|------------|
| CFO |
| FE |
| RD |
| RTK |

1 DRAWER

PD1217 1DWR
 PD1517 1DWR
 PD1817 1DWR
 PD2117 1DWR
 PD2417 1DWR
 PD2717 1DWR
 PD3017 1DWR
 PD3317 1DWR
 PD3617 1DWR

Drawer Base Cabinet • 2 Large Drawers



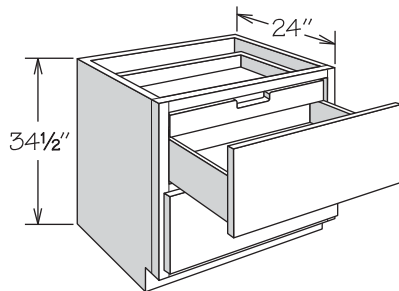
- Two large drawers with extra large drawer fronts
- Drawer body measures 6⁵/₁₆" high
- Features 21" deep dovetail drawers with full-access soft-close heavy-duty 132 pound rated glides for all construction packages
- Only available with RD-23 through RD-21

| |
|------------|
| AH |
| CFO |
| FE |
| RD |
| RTK |

2 DRAWERS

DB21 2DWR
 DB24 2DWR
 DB27 2DWR
 DB30 2DWR
 DB36 2DWR
 DB33 2DWR

Drawer Base Cabinet • 2 Drawers with Scalloped Roll Out Tray



- Two large drawers with extra large drawer fronts
- Drawer body measures 6⁵/₁₆" high
- Features 21" deep dovetail drawers with full-access soft-close heavy-duty 132 pound rated glides for all construction packages
- Scalloped Deep Roll Out Tray with full-access soft-close glides in top opening for all construction packages
- Only available with RD-23 through RD-21

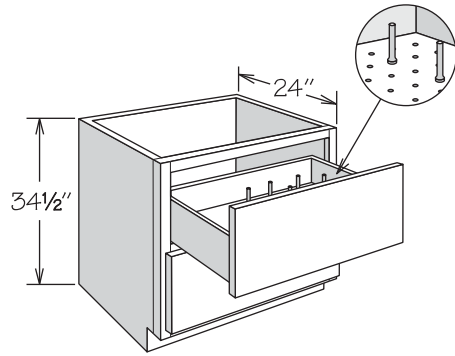
| |
|------------|
| AH |
| FE |
| RD |
| RTK |

2 DRAWERS

DB21 2DWR SFWT
 DB24 2DWR SFWT
 DB27 2DWR SFWT
 DB30 2DWR SFWT
 DB33 2DWR SFWT
 DB36 2DWR SFWT

Drawer Base Cabinet • 2 Drawers with Peg Dish Organizer

| |
|-----|
| AH |
| FE |
| RTK |

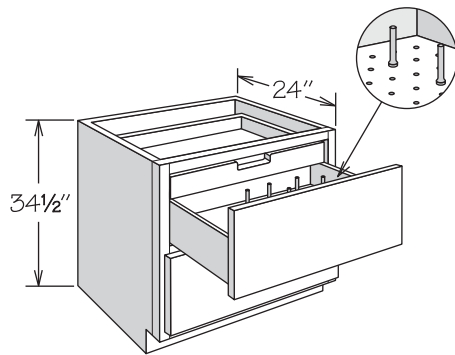


- Two large drawers with extra large drawer fronts
- Drawer body measures 6⁵/₁₆" high
- Features 21" deep dovetail drawers with full-access soft-close heavy-duty 132 pound rated glides for all construction packages
- One Peg Dish Organizer Kit (organizer and adjustable pegs) in natural finish, packaged separately for field installation
- Additional pegs (PEG KIT 4 PK) and Peg Dish Organizer Kits (PDO_) can be ordered separately

| 2 DRAWERS | PEG COUNT |
|---------------|-----------|
| DB21 2DWR PDO | 8 |
| DB24 2DWR PDO | 12 |
| DB27 2DWR PDO | 12 |
| DB30 2DWR PDO | 12 |
| DB33 2DWR PDO | 12 |
| DB36 2DWR PDO | 12 |

Drawer Base Cabinet • 2 Drawers with Scalloped Roll Out Tray and Peg Dish Organizer

| |
|-----|
| AH |
| FE |
| RTK |

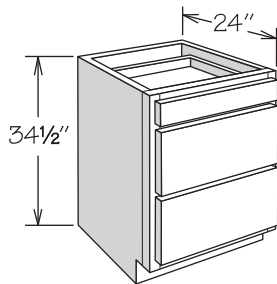


- Two large drawers with extra large drawer fronts
- Drawer body measures 6⁵/₁₆" high
- Features 21" deep dovetail drawers with full-access soft-close heavy-duty 132 pound rated glides for all construction packages
- Scalloped Deep Roll Out Tray with full-access soft-close Glides in top opening for all construction packages
- One Peg Dish Organizer Kit (organizer and adjustable pegs) in natural finish, packaged separately for field installation
- Additional pegs (PEG KIT 4 PK) and Peg Dish Organizer Kits (PDO_) can be ordered separately

| 2 DRAWERS | PEG COUNT |
|--------------------|-----------|
| DB21 2DWR SFWT PDO | 8 |
| DB24 2DWR SFWT PDO | 12 |
| DB27 2DWR SFWT PDO | 12 |
| DB30 2DWR SFWT PDO | 12 |
| DB33 2DWR SFWT PDO | 12 |
| DB36 2DWR SFWT PDO | 12 |

Drawer Base Cabinet • 3 Drawers

| |
|-----|
| AH |
| CFO |
| FE |
| RD |
| RTK |
| VTD |

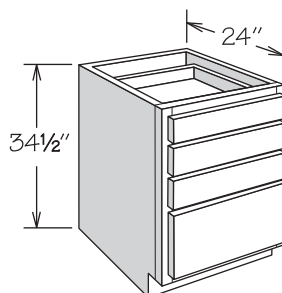


- One standard and two large drawers

| 3 DRAWERS | |
|-----------|----------|
| DB12 | DB27 |
| DB15 | DB30 |
| DB18 | DB33 |
| DB21 | DB36 1TD |
| DB24 | |

Drawer Base Cabinet • 4 Drawers

| |
|-----|
| AH |
| CFO |
| FE |
| RD |
| RTK |
| VTD |

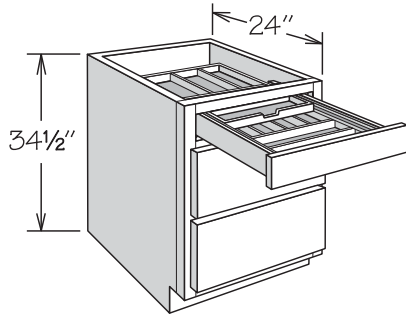


- One large and three standard drawers

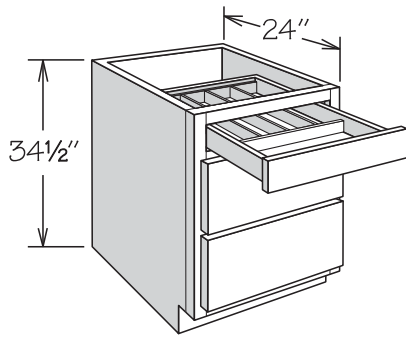
| 4 DRAWERS |
|-----------|
| DB12 4DWR |
| DB15 4DWR |
| DB18 4DWR |
| DB21 4DWR |
| DB24 4DWR |

Drawer Base Cabinet • Drawer Accessories

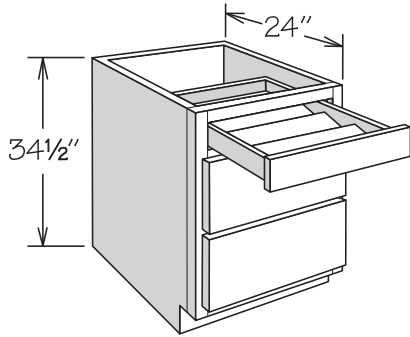
| |
|-----|
| FE |
| RTK |



3 DRAWER
18" Wood Tiered Cutlery Divider Shown



3 DRAWER
18" Cutlery Divider Shown



3 DRAWER
18" Spice Drawer Insert Shown

- Top drawer for **essential** features solid hardwood dovetail drawer with full-access glides and standard construction on remaining drawers
- Cutlery Divider features solid hardwood and plywood in natural finish
- Spice Drawer Insert features solid hardwood and plywood in natural finish and accommodates most spice containers (not included)
- Wood Tiered Cutlery Divider features:
 - » Solid hardwood and plywood in natural finish
 - » Upper section slides independently from drawer
 - » Additional cooking utensil section on 30" or wider
- Refer to specifications on individual cabinets and accessories for more details

| WOOD TIERED CUTLERY DIVIDER | UPPER SECTION | LOWER SECTION | COOKING UTENSIL SECTION |
|-----------------------------|---------------|---------------|-------------------------|
| 15" | 5 | 5 | - |
| 18" | 5 | 6 | - |
| 21" | 6 | 7 | - |
| 24" | 7 | 7 | - |
| 30" | 5 | 5 | 4 |
| 36" | 5 | 5 | 5 |

| CUTLERY DIVIDER | SECTIONS |
|-----------------|----------|
| 15" | 4 |
| 18" | 5 |
| 21" | 6 |
| 24" | 6 |
| 30" | 7 |
| 36" | 8 |

3 DRAWER

Wood Tiered Cutlery Divider

DB15 WTCD
DB18 WTCD
DB21 WTCD
DB24 WTCD
DB30 WTCD
DB36 1TD WTCD

Cutlery Divider

DB15 CD
DB18 CD
DB21 CD
DB24 CD
DB30 CD
DB36 1TD CD

Spice Drawer Insert

DB15 SDI
DB18 SDI
DB21 SDI
DB24 SDI

4 DRAWER

Wood Tiered Cutlery Divider

DB15 4DWR WTCD
DB18 4DWR WTCD
DB21 4DWR WTCD
DB24 4DWR WTCD

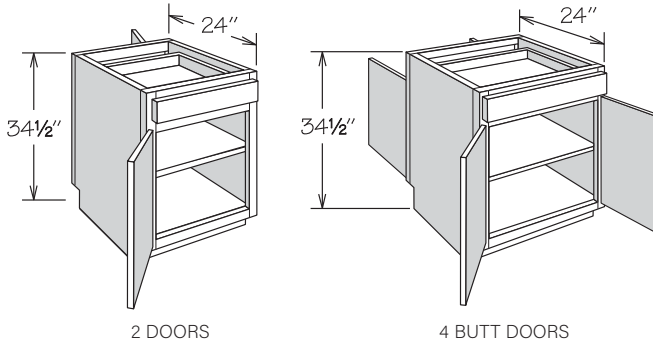
Cutlery Divider

DB15 4DWR CD
DB18 4DWR CD
DB21 4DWR CD
DB24 4DWR CD

Spice Drawer Insert

DB15 4DWR SDI
DB18 4DWR SDI
DB21 4DWR SDI
DB24 4DWR SDI

Peninsula Base • 1 Drawer



- Full-depth adjustable shelf for all construction packages
- Drawer accessible on one side only
- Panel on opposite side of drawer
- When selecting the Recessed Toe Kick Option, the drawer side indicates the front of the cabinet
- Single door cabinets are hinged left and can be reversed in the field

| |
|-----|
| FE |
| RD |
| RTK |
| VTD |

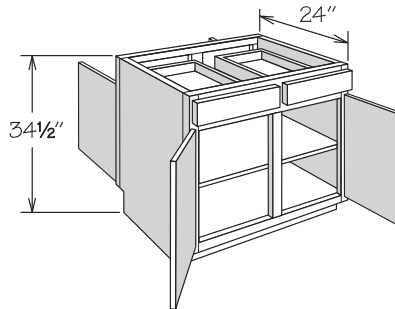
2 DOORS

PB12
PB18
PB24

4 BUTT DOORS

PB24 BUTT
PB30 BUTT
PB36 1TD BUTT

Peninsula Base • 2 Drawers



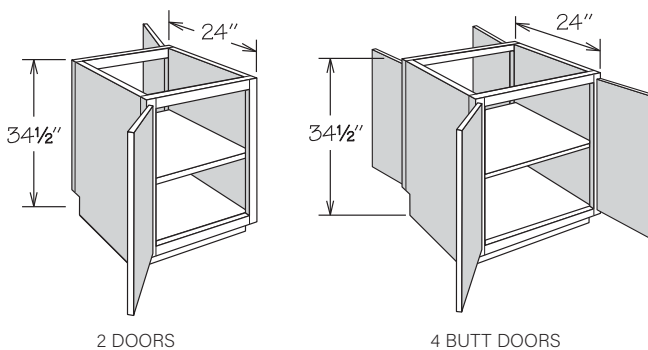
- Full-depth adjustable shelf for all construction packages
- Drawers accessible on one side only
- Features two panels on opposite side of drawers
- When selecting the Recessed Toe Kick Option, the drawer side indicates the front of the cabinet

| |
|-----|
| FE |
| RD |
| RTK |
| VTD |

4 DOORS

PB42

Full-Height Peninsula Base



- Full-height doors
- Full-depth adjustable shelf for all construction packages
- Single door cabinets are hinged left and can be reversed in the field

| |
|-----|
| FE |
| RD |
| RTK |

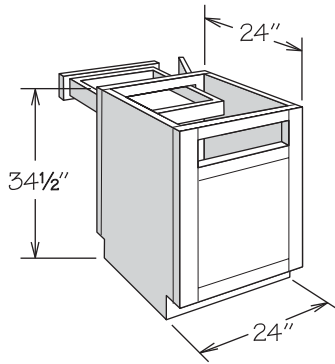
2 DOORS

PB12 FH
PB18 FH

4 BUTT DOORS

PB24 BUTT FH
PB30 BUTT FH
PB36 BUTT FH

Blind Peninsula Corner Base



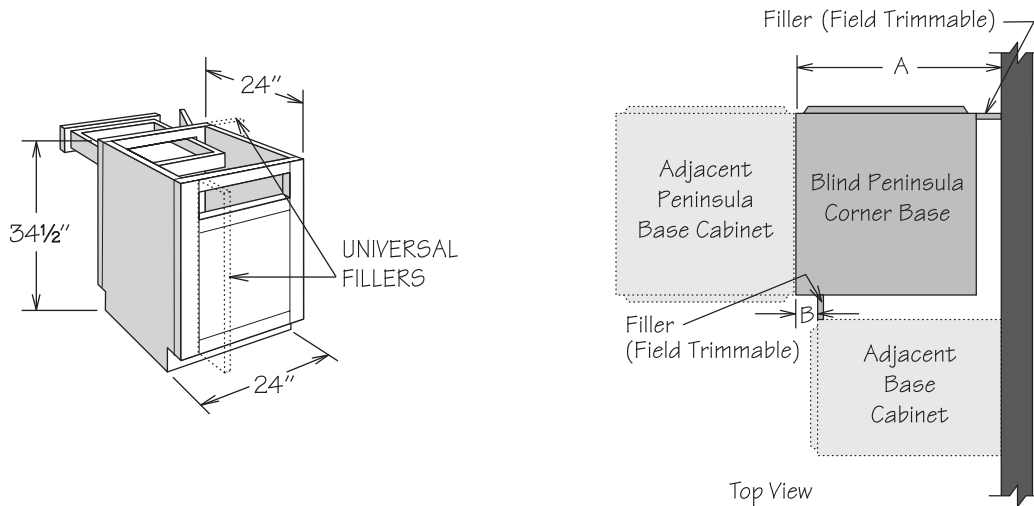
- Full-depth adjustable shelf for all construction packages
- Can be installed left or right
- Universal Fillers are recommended for use between PBC24 and wall and adjoining base cabinet or appliance for hardware clearance and proper door operation
- Cabinet may require pulling from wall – refer to the chart below for specifications
- Roll-out accessories are not recommended
- Must order Universal Fillers separately
- PBC24 is hinged left and can be reversed in the field

| |
|-----------|
| FE |
| RD |

1 DOOR
PBC24

2 DOORS
PBC24 BUTT

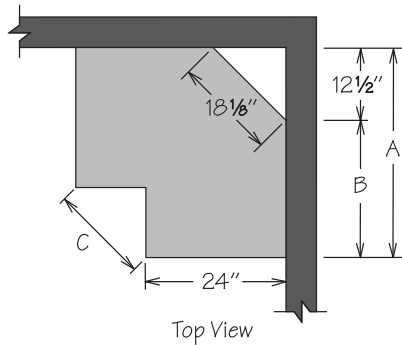
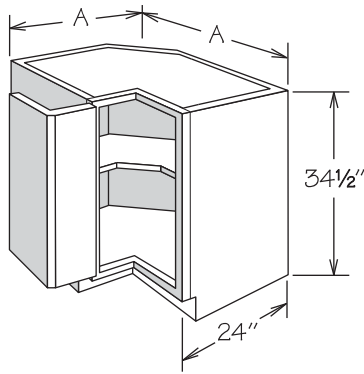
Blind Peninsula Corner Base Installation Chart



*Must use these dimensions if optional Overlay Fillers will be used.

| Cabinet | Actual Cabinet Width | Door Opening | Door(s) | Wall Space A | | | Exposed Frame B | | Filler (at wall) | |
|------------|----------------------|----------------------------------|-----------------|----------------------------------|-------------------------------|-------------|---------------------------------|-------------|---------------------------------|-------|
| | | | | Min. Space | Max. Pull | Max. Space* | Min. Space | Max. Space* | Min. | Max.* |
| PBC24 | 24" | 20 ³ / ₄ " | DR2424 | 26 ¹ / ₄ " | ³ / ₄ " | 27" | 2 ¹ / ₄ " | 3" | 2 ¹ / ₄ " | 3" |
| PBC24 BUTT | 24" | 20 ³ / ₄ " | DR1224 BUTT (2) | 26 ¹ / ₄ " | ³ / ₄ " | 27" | 2 ¹ / ₄ " | 3" | 2 ¹ / ₄ " | 3" |

Base Easy Reach

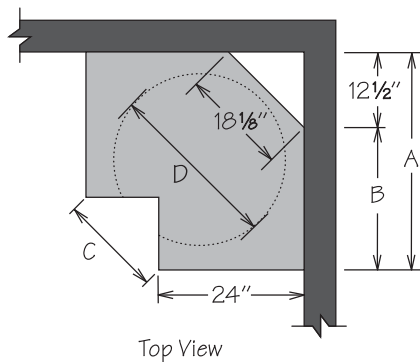
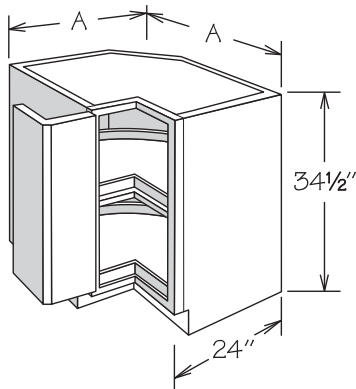


- One adjustable half-depth shelf (non-removable) for all construction packages
- All door styles must be ordered hinged left or right
- Features a solid top
- Sides are finished
- Stile width and outside profile of both doors at door-to-door hinge may vary from standard dimension and profile for proper door function
- Stile width and outside profile of both doors at door-to-door hinge may vary from standard dimension and profile for proper door function
- Doors open 170°
- Cabinet requires a minimum of 29" to fit through doorway
- Additional space recommended if appliance is installed on the hinge side of this cabinet for proper door operation - decorative hardware should be taken into consideration for the overall depth of appliance

| |
|----|
| AH |
| FE |

| SHELF | A | B | C |
|-------|-----|---------|----------|
| BER33 | 33" | 20 1/2" | 10 7/16" |
| BER36 | 36" | 23 1/2" | 14 5/8" |

Base Super Susan • Wood Spin Unit

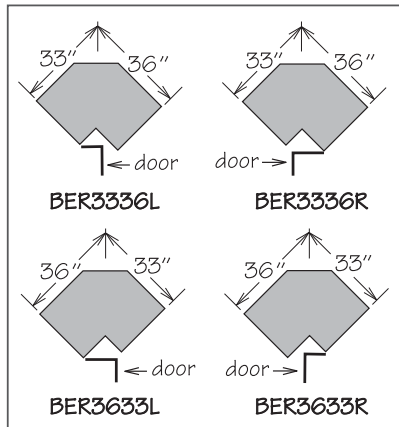
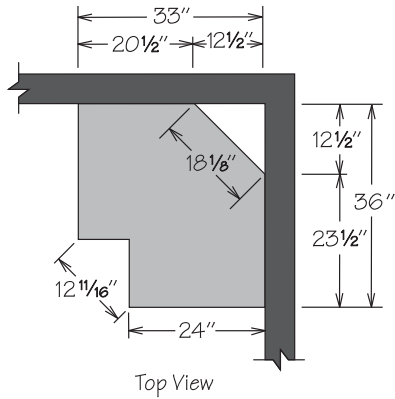


- All door styles must be ordered hinged left or right
- Features a solid top
- Sides are finished
- Stile width and outside profile of both doors at door-to-door hinge may vary from standard dimension and profile for proper door function
- Stile width and outside profile of both doors at door-to-door hinge may vary from standard dimension and profile for proper door function
- Doors open 170°
- Cabinet requires a minimum of 29" to fit through doorway
- Additional space recommended if appliance is installed on the hinge side of this cabinet for proper door operation - decorative hardware should be taken into consideration for the overall depth of appliance
- Wood Spin Units feature:
 - » One fixed spin unit mounted on cabinet floor
 - » One spin unit attached to 3/4" adjustable shelf
 - » Natural wood finish with 1" lip

| |
|----|
| AH |
| FE |

| WOOD SPIN UNIT | A | B | C | D |
|----------------|-----|---------|----------|-----|
| BSS33 WD | 33" | 20 1/2" | 10 7/16" | 28" |
| BSS36 WD | 36" | 23 1/2" | 14 5/8" | 32" |

Asymmetrical Base Easy Reach

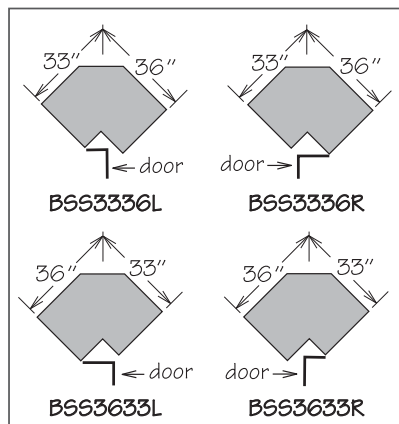
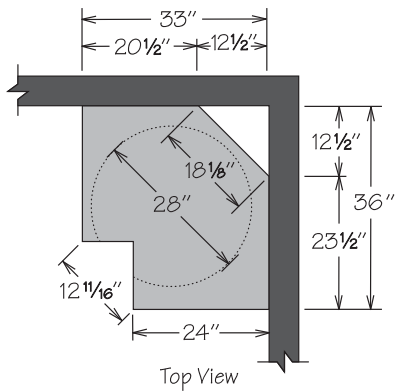


- | |
|-----------|
| AH |
| FE |
- One adjustable half-depth shelf (non-removable)
 - All door styles must be ordered hinged left or right
 - Stile width and outside profile of both doors at door-to-door hinge may vary from standard dimension and profile for proper door function
 - Features a solid top
 - Sides are finished
 - Stile width and outside profile of both doors at door-to-door hinge may vary from standard dimension and profile for proper door function
 - Doors open 170°
 - Cabinet requires a minimum of 29" to fit through doorway
 - Additional space recommended if appliance is installed on the hinge side of this cabinet for proper door operation - decorative hardware should be taken into consideration for the overall depth of appliance

SHELF

BER3336
BER3633

Asymmetrical Base Super Susan • Wood Spin Unit

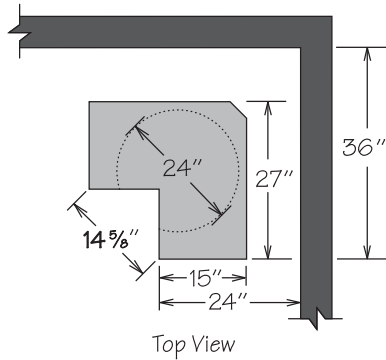
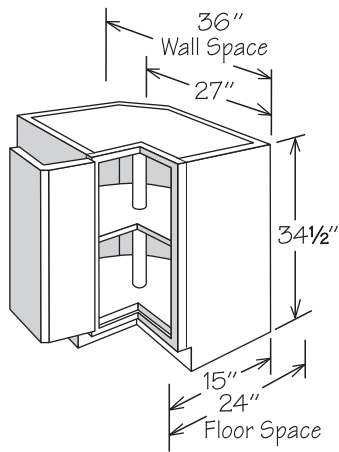


- | |
|-----------|
| AH |
| FE |
- All door styles must be ordered hinged left or right
 - Stile width and outside profile of both doors at door-to-door hinge may vary from standard dimension and profile for proper door function
 - Features a solid top
 - Sides are finished
 - Stile width and outside profile of both doors at door-to-door hinge may vary from standard dimension and profile for proper door function
 - Doors open 170°
 - Cabinet requires a minimum of 29" to fit through doorway
 - Additional space recommended if appliance is installed on the hinge side of this cabinet for proper door operation - decorative hardware should be taken into consideration for the overall depth of appliance
 - Wood Spin Units feature:
 - » One fixed spin unit mounted on cabinet floor
 - » One spin unit attached to 3/4" adjustable shelf
 - » Natural wood finish with 1" lip

WOOD SPIN UNIT

BSS3336 WD
BSS3633 WD

Corner Base Carousel • Wood Spin Unit



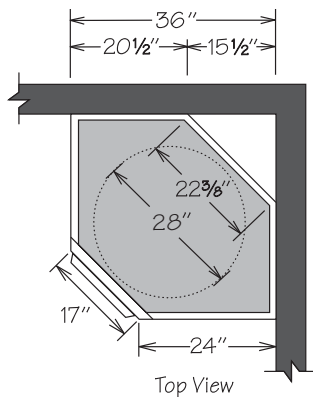
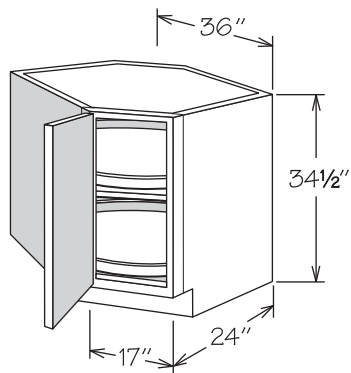
- All door styles must be ordered hinged left or right
- Stile width and outside profile of both doors at door-to-door hinge may vary from standard dimension and profile for proper door function
- Features a solid top
- Sides are unfinished
- Stile width and outside profile of both doors at door-to-door hinge may vary from standard dimension and profile for proper door function
- Doors open 170°
- If unit has an exposed side, order end panel separately
- Additional support for countertop in back is necessary
- Additional space recommended if appliance is installed on the hinge side of this cabinet for proper door operation- decorative hardware should be taken into consideration for the overall depth of appliance
- Unit must be pulled to install in a 36" x 36" space
- Wood Spin Units feature:
 - » Two natural finish solid hardwood spin shelves with pole (top shelf adjustable)

AH

WOOD SPIN UNIT

CAR36 WD

Corner Base • Wood Spin Unit



- Hinged left and can be reversed in the field
- Sides are finished
- Cabinet requires a minimum of 34" to fit through doorway
- Additional space recommended if appliance is installed on the hinge side of this cabinet for proper door operation
- Cabinet features solid top
- Wood Spin Units feature:
 - » One fixed spin unit mounted on cabinet floor
 - » One spin unit attached to 34" adjustable shelf
 - » Natural wood finish with 1" lip

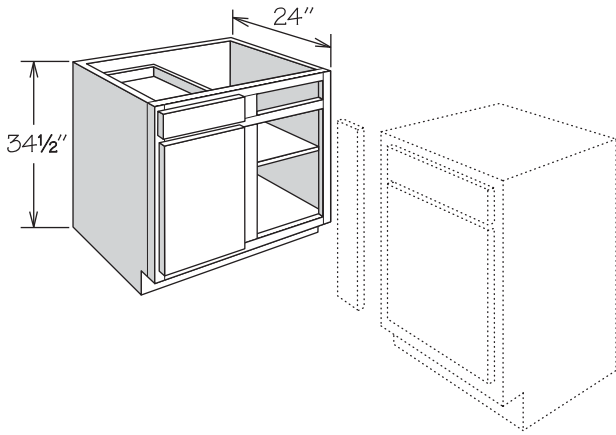
AH

FE

WOOD SPIN UNIT

CBS36 WD

Blind Corner Base



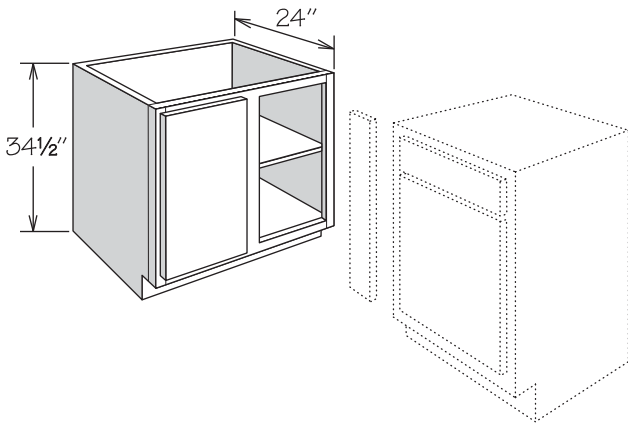
- Adjustable shelf
- Blind base door and drawer are installed in the left section
- Door and drawer can be reversed in the field as blind sections are identical
- Includes 1/8" panel to cover blind opening (field trim and install)
- Refer to the Blind Corner Base Installation Chart for specifications
- Recessed Toe Kick Both Option (RTKB) available only
- Must order Universal Filler separately
- Center support for shelf provided (excluding BLB36/39 and BLB39/42)

| |
|------------|
| AH |
| CFO |
| FE |
| RD |
| RTK |

1 SHELF

BLB36/39
BLB39/42
BLB42/45
BLB45/48
BLB48/51

Full Height Blind Corner Base **NEW!** SIZES



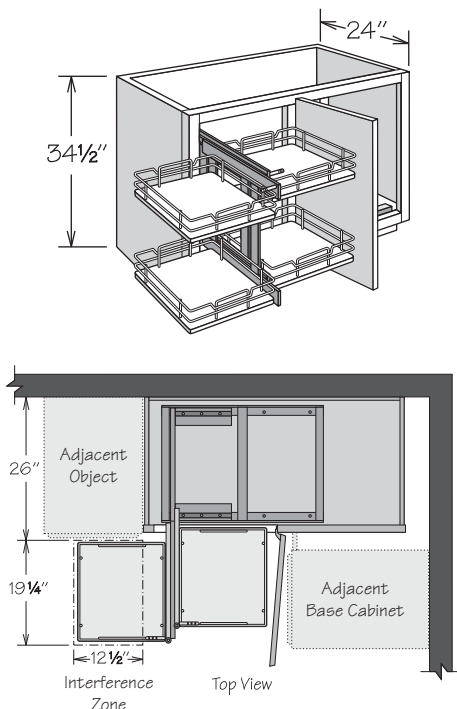
- Adjustable Shelf
- Blind base door is installed in the left section
- Door can be reversed in the field as blind sections are identical
- Includes 1/8" panel to cover blind opening (field trim and install)
- Refer to the Blind Corner Base Installation Chart for specifications
- Recessed Toe Kick Both Option (RTKB) available only
- Must order Universal Filler separately
- Center support for shelf provided (excluding BLB36/39 and BLB39/42 FH)

| |
|------------|
| AH |
| CFO |
| FE |
| RD |
| RTK |

1 SHELF

BLB36/39 FH
BLB39/42 FH
BLB42/45 FH
BLB45/48 FH
BLB48/51 FH

Blind Corner Base • Pull Out Kit



- Full-height door
- Blind base door is installed in the left section
- Door and Pull Out Kit can be reversed in the field as blind sections are identical
- Includes 1/8" panel to cover blind opening (field trim and install)
- Refer to the Blind Corner Base Installation Chart for specifications
- Recessed Toe Kick Both Option (RTKB) available only
- Pull out kit:
 - » Features two-tiered organizer with four chrome finish wire shelves and engineered wood bottoms with woodgrain look
 - » Features full-extension 100-pound rated glides
 - » Supports up to 27 pounds per front shelf and 34 pounds per shelf per back shelf
 - » Packaged separately for field installation
 - » Mounts to cabinet floor
- Unit requires 19 1/4" of clearance in front of cabinet to pull the unit out, and 12 1/2" of side clearance to slide over
- Baskets are able to be repositioned to allow clearance of deeper adjacent objects up to 26"

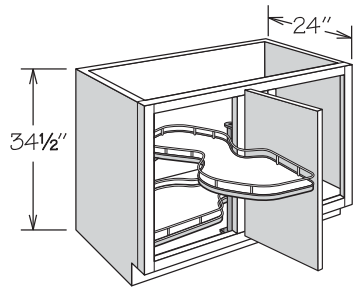
| |
|------------|
| AH |
| FE |
| RTK |

PULL OUT KIT

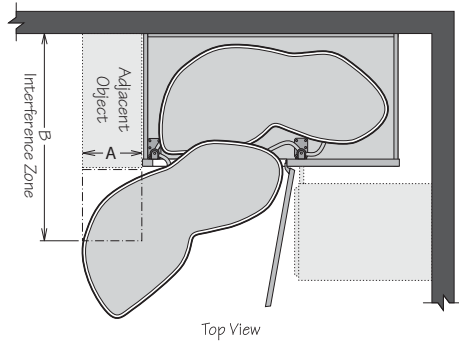
BLB45/48 FH POK
BLB48/51 FH POK

Blind Corner Base • Swing Out Kit

| |
|------------|
| AH |
| RTK |



BLB45/48 FH SOKL Shown



Top View

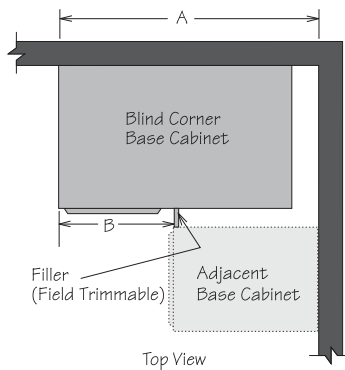
- Full-height door
- Features Furniture Ends standard for all construction packages
- Blind base door is installed in the left section
- Door can be reversed in the field as blind sections are identical, kit is not reversible and must be ordered as left or right
- Includes 1/8" panel to cover blind opening (field trim and install)
- Refer to the Blind Corner Base Installation Chart for specifications
- Recessed Toe Kick Both Option (RTKB) available only
- Pull out kit:
 - » Must be ordered left or right
 - » Features two-tiered organizer with two chrome finish wire shelves and engineered wood bottoms with woodgrain look
 - » Supports up to 55 pounds per shelf
 - » Packaged separately for field installation
 - » Mounts to cabinet side panel and telescopic pole (included)

| A (Distance from edge of BLB frame) | 0" | 3" | 6" | 9" | 12" | 13" |
|--|---------|---------|---------|---------|---------|-----------------|
| B (Maximum Depth of Adjacent Object) | 24 7/8" | 25 1/2" | 27 1/2" | 28 5/8" | 32 1/4" | no interference |

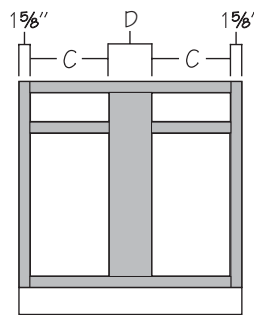
SWING OUT KIT

- BLB45/48 FH SOKL
- BLB45/48 FH SOKR
- BLB48/51 FH SOKL
- BLB48/51 FH SOKR

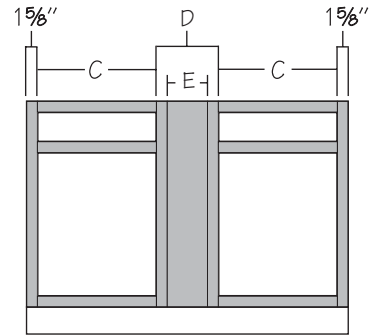
Blind Corner Base Installation Chart



Top View



BLB36/39 - BLB45/48



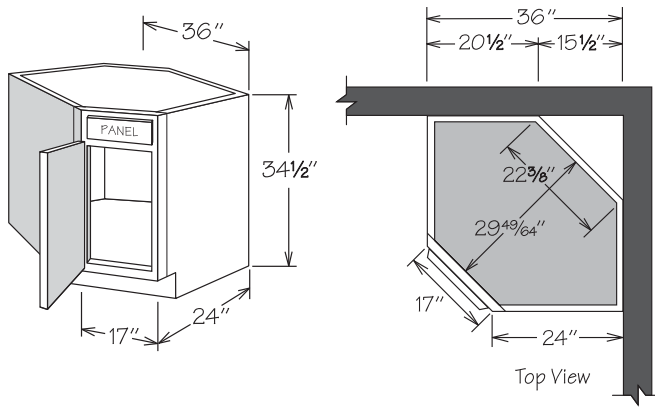
BLB45/48 FH, BLB48/51, BLB48/51 FH

Full Overlay door styles require decorative hardware, which has been calculated into dimensions.

*Dimension requirements do not include optional Overlay Fillers - add 7/8" if Overlay Fillers will be used, except for BLB48/51 add 1/2".

| Cabinet | Actual Cabinet Width | Wall Space A | | | Exposed Frame B | | C Door Opening | Door(s) | D | E |
|-------------|----------------------|----------------|--------------|---------------|-----------------|---------------|----------------|---------|--------|----|
| | | Minimum Space* | Maximum Pull | Maximum Space | Minimum Space* | Maximum Space | | | | |
| BLB36/39 | 27" | 38 1/4" | 1 3/4" | 40" | 14 1/4" | 16" | 8 3/4" | DR1224 | 6 1/4" | - |
| BLB36/39 FH | 27" | 38 1/4" | 1 3/4" | 40" | 14 1/4" | 16" | 8 3/4" | DR12FH | 6 1/4" | - |
| BLB39/42 | 33" | 41 1/4" | 1 3/4" | 43" | 17 1/4" | 19" | 11 1/4" | DR1524 | 6 1/4" | - |
| BLB39/42 FH | 33" | 41 1/4" | 1 3/4" | 43" | 17 1/4" | 19" | 11 3/4" | DR15FH | 6 1/4" | - |
| BLB42/45 | 39" | 44 1/4" | 1 3/4" | 46" | 20 1/4" | 22" | 14 3/4" | DR1824 | 6 1/4" | - |
| BLB42/45 FH | 39" | 44 1/4" | 1 3/4" | 46" | 20 1/4" | 22" | 14 3/4" | DR18FH | 6 1/4" | - |
| BLB45/48 | 45" | 47 1/4" | 1 3/4" | 49" | 23 1/4" | 25" | 17 3/4" | DR2124 | 6 1/4" | - |
| BLB45/48 FH | 45" | 47 1/4" | 1 3/4" | 49" | 23 1/4" | 25" | 17 3/4" | DR21FH | 6 1/4" | 3" |
| BLB48/51 | 48" | 48" | 4" | 52" | 24" | 28" | 17 3/4" | DR2124 | 9 1/4" | 6" |
| BLB48/51 FH | 48" | 48" | 4" | 52" | 24" | 28" | 17 3/4" | DR21FH | 9 1/4" | 6" |

Corner Sink Base • 1 Door

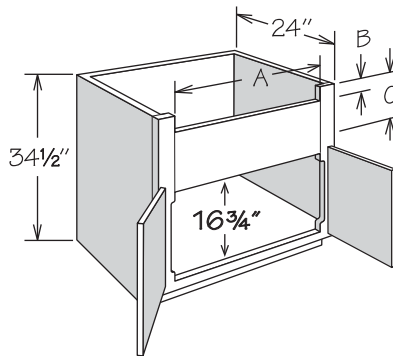


- No shelf
- Sides are finished
- Cabinet requires a minimum of 34" to fit through doorway
- Additional space recommended if appliance is installed on either side of this cabinet for proper appliance door operation
- Cabinet features solid top which must be field cut for sink installation as per manufacturer's specifications
- Maximum sink width is 22 3/8" if cut out is 4" back from face of front frame
- Refer to sink manufacturer's specifications for adequate clearance and required installation materials
- Touch Up Kit included

| |
|----|
| AH |
| FE |

CSB36

Deep Sink/Range Base • 2 Butt Doors

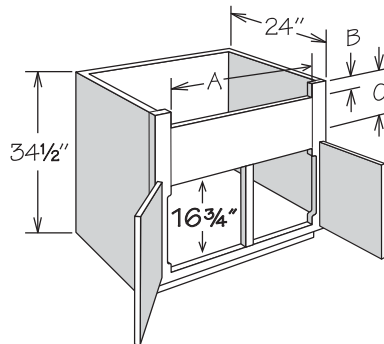


- No shelf
- Accommodates farm sinks
- Apron stiles are 3/8" wide and trimmable
- A cutout exists in the door area where the 3/8" stiles are routed to 1 5/8"
- Refer to sink or appliance manufacturer's specifications for adequate clearance and required installation materials
- Touch Up Kit included

| |
|-----|
| AH |
| FE |
| RD |
| RTK |

| | A-MIN. | A-MAX. | B | C-MAX |
|------------|---------|--------|--------|-------|
| DSB30 BUTT | 23 3/4" | 28" | 2 7/8" | 10" |
| DSB33 BUTT | 26 3/4" | 31" | 2 7/8" | 10" |
| DSB36 BUTT | 29 3/4" | 34" | 2 7/8" | 10" |

Deep Sink/Range Base • 2 Doors

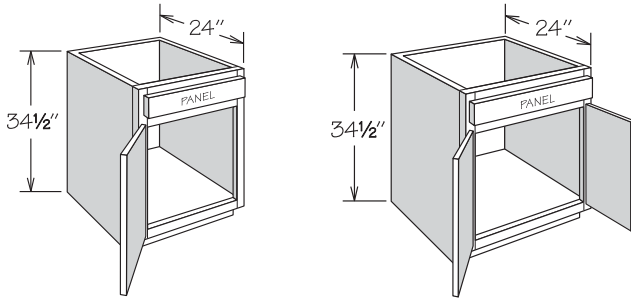


- No shelf
- Accommodates farm sinks
- Apron stiles are 3/8" wide and trimmable
- A cutout exists in the door area where the 3/8" stiles are routed to 1 5/8"
- Refer to sink or appliance manufacturer's specifications for adequate clearance and required installation materials
- Touch Up Kit included

| |
|-----|
| AH |
| FE |
| RD |
| RTK |

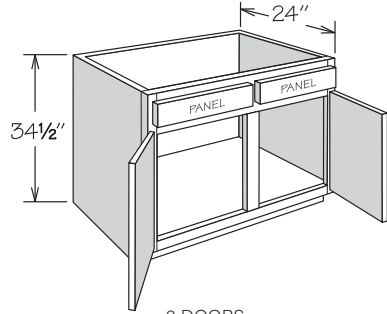
| | A-MIN. | A-MAX. | B | C-MAX |
|-------|---------|--------|--------|-------|
| DSB39 | 32 3/4" | 37" | 2 7/8" | 10" |

Sink/Cooktop Base

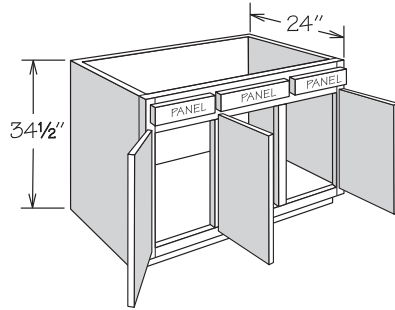


1 DOOR

2 BUTT DOORS



2 DOORS



3 DOORS

- No shelf
- Full-height back
- Subtract 1/2" from width and depth for available sink bowl opening
- Refer to sink or appliance manufacturer's specifications for adequate clearance and required installation materials
- Touch Up Kit included
- Single door cabinets are hinged left and can be reversed in the field

| |
|-----|
| AH |
| FE |
| RD |
| RTK |

1 DOOR

SB18
SB21
SB24

2 BUTT DOORS

SB24 BUTT
SB27 BUTT
SB30 BUTT
SB33 BUTT
SB36 BUTT

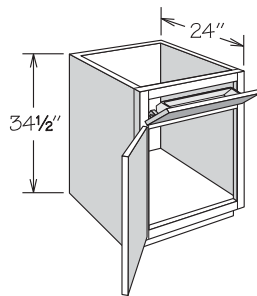
2 DOORS

SB39
SB42
SB48

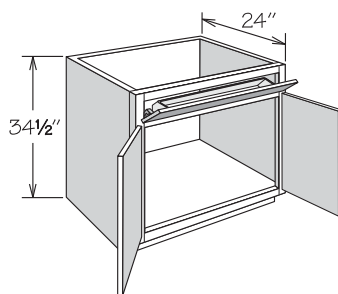
3 DOORS

SB45

Sink Base • 1 Stainless Tilt-Out Tray



1 DOOR



2 BUTT DOORS

- No shelf
- Full-height back
- Subtract 1/2" from width and 3 3/4" from depth for available sink bowl opening
- Tilt-Out Trays are NOT dishwasher safe
- Refer to sink manufacturer's specifications for adequate clearance and required installation materials
- Touch Up Kit included
- Single door cabinets are hinged left and can be reversed in the field

| |
|-----|
| AH |
| FE |
| RD |
| RTK |

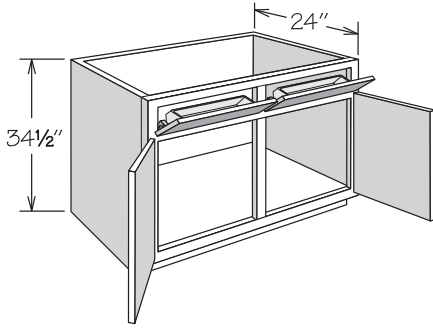
1 DOOR

SB21 STO
SB24 STO

2 BUTT DOORS

SB24 BUTT STO
SB27 BUTT STO
SB30 BUTT STO
SB33 BUTT STO
SB36 BUTT STO

Sink Base • 2 Stainless Tilt-Out Trays



- No shelf
- Full-height back
- Subtract 1 1/2" from width and 3 3/4" from depth for available sink bowl opening
- Tilt-Out Trays are NOT dishwasher safe
- Refer to sink manufacturer's specifications for adequate clearance and required installation materials
- Touch Up Kit included

| |
|-----|
| AH |
| FE |
| RD |
| RTK |

2 DOORS

SB39 STO
SB42 STO
SB48 STO

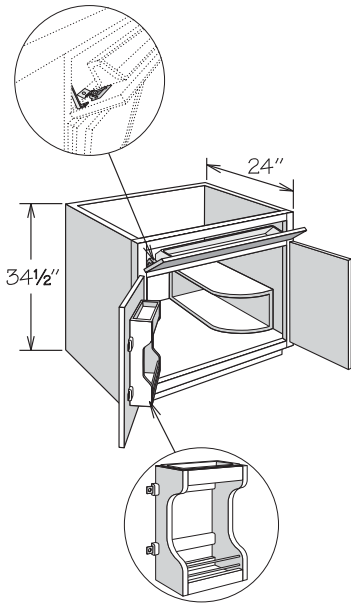
Sink Base Multi-Storage Cabinet

NEW!

UPDATE

NEW!

NOMENCLATURE



- **UPDATE:** Cabinet features:
 - » Factory installed Sink Base Door Storage Unit
 - » One Stainless Tilt-Out Tray
 - » Sink Base Multi-Storage Shelf (SBMSS) shipped separately for field installation (left or right)
- Sink Base Multi-Storage Shelf measures 8 1/16" wide x 8" high x 17 1/2" deep
- Full-height back
- Subtract 1 1/2" from width and 3 3/4" from depth for available sink bowl opening
- Tilt-Out Trays and Door Storage Unit trays are NOT dishwasher safe
- Refer to sink manufacturer's specifications for adequate clearance and required installation materials
- Touch Up Kit included

| |
|-----|
| AH |
| FE |
| RTK |

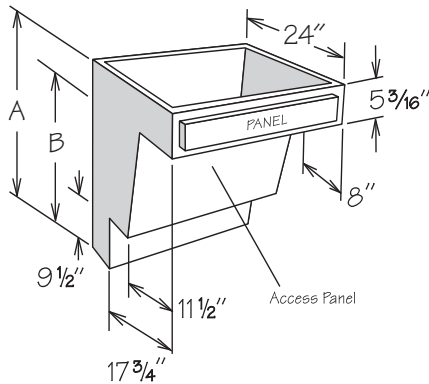
2 BUTT DOORS

SBMSC30 BUTT STO
SBMS3C6 BUTT STO

Sink Base • Base Plumbing Skirt

NEW!

PRODUCT



- Features kneehole drawer front - refer to door style section
- **essential** and **select** construction packages feature plywood sides
- Removable front access panel
- Subtract 1 1/2" from width and depth for available sink bowl opening
- Maximum available height inside cabinet for sink bowl is 5"
- Water lines, drains, and P-Trap must be installed at 6" maximum from wall
- Refer to sink manufacturer's specifications for adequate clearance and required installation materials
- Matching toe kick included
- Must be installed between two cabinets or a cabinet and a wall
- May be used with Adaptable Sink Base Kit (ASB) - order separately

| |
|----|
| AH |
| FE |

A **B**

32 1/2" High

BPS30 UD
BPS36 UD

32 1/2"
32 1/2"

27 5/16"
27 5/16"

32 1/2" High

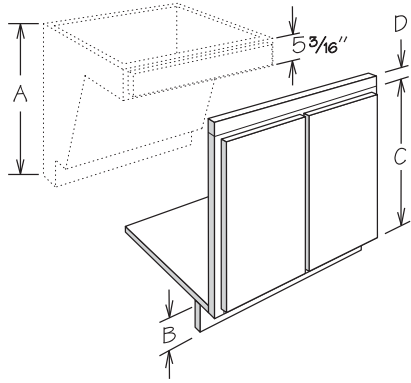
BPS3034 UD
BPS3634 UD

34 1/2"
34 1/2"

29 5/16"
29 5/16"

Adaptable Sink Base Kit

NEW! PRODUCT



- For use with Base Plumbing Skirt (BPS) - MUST be ordered separately
- Kit contains:
 - » Face frame with hinged butt doors
 - » One Tall Filler (S3S396)
 - » Two Drawer Fasteners (DDF FASTENER)
 - » One Sink Floor (FL36)
 - » One Hardwood Cleat (HWC 2X4X96)
 - » Installation instructions
- Kit must be assembled in the field

| A BPS | B DESIRED TOE KICK HEIGHT | C FACE FRAME HEIGHT | D S3S TRIMMED | KIT |
|----------|---------------------------------|---------------------------|---------------------|------------|
| 32 1/2" | 2" | 24 1/2" | 13/16" | ASB_34 KIT |
| 32 1/2" | 4" | 20 5/8" | 2 1/16" | ASB_32 KIT |
| 34 1/2" | 4" | 24 1/2" | 13/16" | ASB_34 KIT |

20 5/8" Frame

ASB3032 KIT

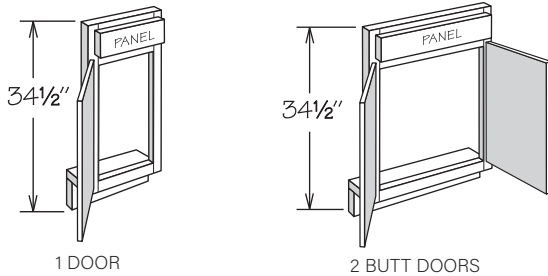
ASB3632 KIT

24 1/2" Frame

ASB3034 KIT

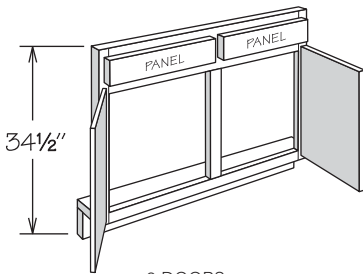
ASB3634 KIT

Sink/Cooktop Front

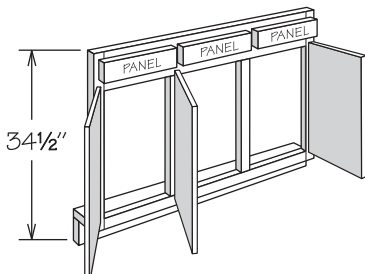


1 DOOR

2 BUTT DOORS



2 DOORS



3 DOORS

- SF45 is hinged as shown – can be reversed in the field
- Order floor and returns separately (field trimming may be required) – refer to Panel Section for availability (pages 138–139)

1 DOOR

SF12
SF15
SF18
SF21
SF24

2 BUTT DOORS

SF24 BUTT
SF27 BUTT
SF30 BUTT
SF33 BUTT
SF36 BUTT

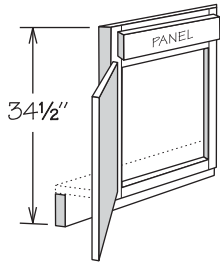
2 DOORS

SF39
SF42
SF48

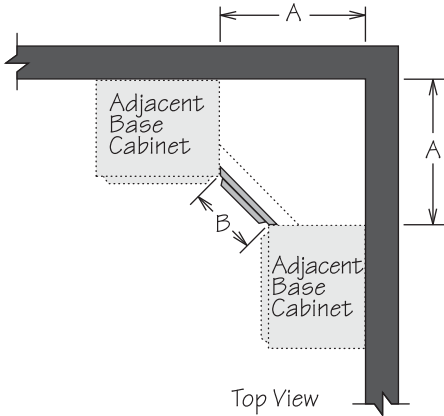
3 DOORS

SF45

Corner Sink Front

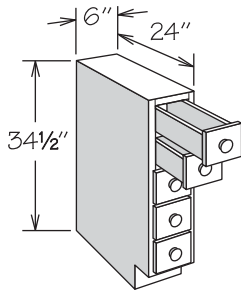


- Vertical edges of frame are mitered to attach to adjacent cabinet frames
- Order floor and returns separately (field trimming may be required) – refer to Panel Section for availability (pages 138–139)



| | A | B |
|-------|-----------------------------------|------------------------------------|
| CSF36 | 35 ³ / ₃₂ " | 16 ¹⁵ / ₁₆ " |
| CSF42 | 42 ¹ / ₃₂ " | 25 ¹⁵ / ₁₆ " |

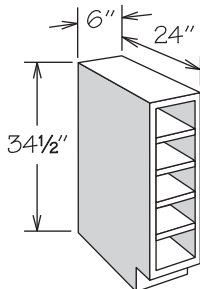
Base Spice Drawer Cabinet



- Features veneered engineered wood with 1/2" thick slab drawer fronts for all construction packages
- Flush sides with no face frame or 1/4" reveals
- All wood drawer body with dovetail construction
- AVELEY, MCKELLER and TILSON door styles feature white porcelain knobs, all other door styles feature matching wood knobs

BSDC6

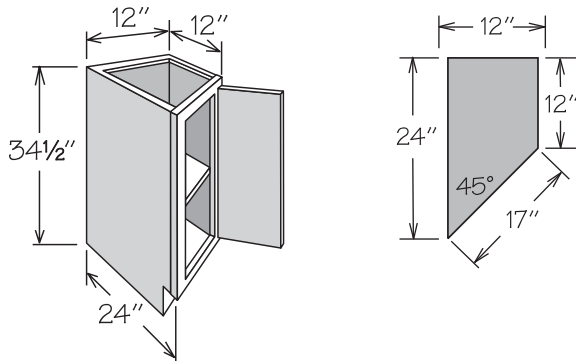
Base Wine Rack Cabinet



- Features veneered engineered wood with interior and exterior finished to match cabinet exterior for all construction packages
- Accommodates five wine bottles (each opening measures: 5" high x 4 1/2" wide)
- 3/4" sides and shelves
- Flush sides with no face frame or 1/4" reveals
- Cannot be retrofitted with Base Spice drawers

BWRC6

Base End Angle • 1 Door



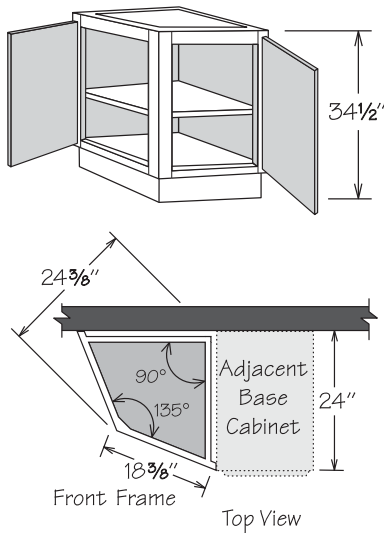
- Full-height door
- Adjustable shelf
- Only available with RD-23 through RD-18
- Recessed Toe Kick Option (RTK) only available on 12" side
- Cabinet dimensions are for reference purposes
ONLY – countertop must be measured and fabricated after cabinet installation

| |
|------------|
| FE |
| RD |
| RTK |

1 SHELF

BEA12L FH
BEA12R FH

Base End Angle • 2 Doors

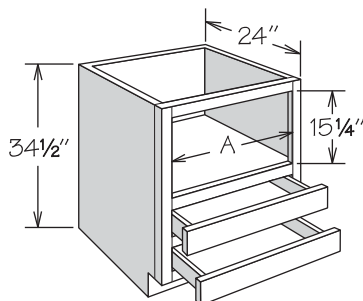


- Features a solid top
- Adjustable shelf
- Requires 24" x 24" space
- Cabinet dimensions are for reference purposes
ONLY – countertop must be measured and fabricated after cabinet installation

1 SHELF

BEA24 FH

Base Microwave Cabinet • 2 Drawers



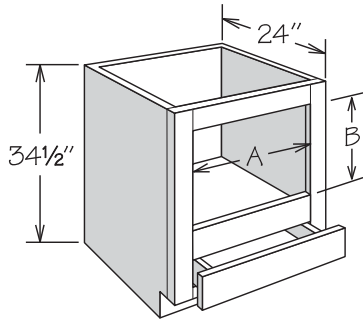
- Microwave opening finished to match cabinet box exterior
- Designed to accommodate countertop style microwave
- Features two standard depth drawers
- Accent molding recommended (order separately)
- Refer to appliance manufacturer's specifications for adequate clearances

| |
|------------|
| AH |
| FE |
| RD |
| RTK |

| | A |
|-------|----------|
| BMC24 | 20 3/4" |
| BMC27 | 23 3/4" |
| BMC30 | 26 3/4" |

Built-In Base Microwave Cabinet

NEW! **PRODUCT**



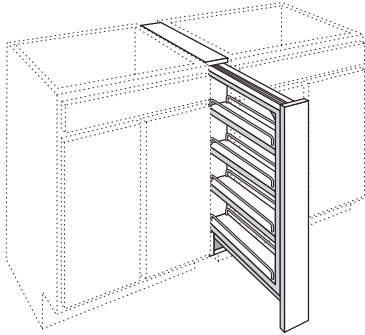
- Designed to accommodate built-in style microwaves with trim kit
- Features one standard depth drawer
- 3 1/4" top rail is field trimmable
- 3 1/8" stiles
- Refer to appliance manufacturer's specifications for adequate clearances and required installation materials

| |
|------------|
| AH |
| FE |
| RD |
| RTK |

| | A-MIN. | A-MAX. | B-MIN. | B-MAX. |
|--------|---------------|---------------|---------------|---------------|
| BBMC24 | 17 3/4" | 22" | 15 5/8" | 21 1/8" |
| BBMC27 | 20 3/4" | 25" | 15 5/8" | 21 1/8" |
| BBMC30 | 23 3/4" | 28" | 15 5/8" | 21 1/8" |

Base Filler Pull-Out

NEW! **UPDATE**

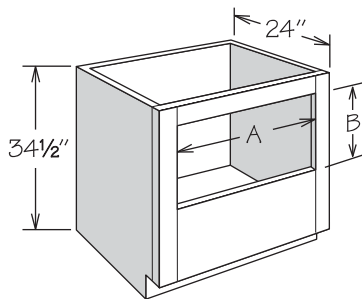


- **UPDATE:** Features full-access soft-close glides for all construction packages
- Two fixed and two adjustable wood shelves with chrome rails
- Must be installed between two base cabinets behind the face frames in 3" (BFP3) or 6" (BFP6) of floor space
- Cannot be installed next to an appliance or at the end of a run
- No side panels or toe kick
- Filler shipped unattached for field installation
- An overlay filler is recommended for full overlay door styles (order separately)
- Decorative hardware strongly recommended

SHELF WIDTH

| | |
|------|--------|
| BFP3 | 2 1/8" |
| BFP6 | 4 3/4" |

Base Oven Cabinet Universal



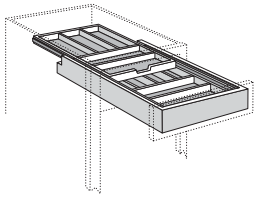
- Designed for mounting single oven below countertop
- 3" top rail is field removable and field trimmable
- 3 1/8" stiles
- Will accommodate certain cooktops (in conjunction with under-counter oven) or drop-in ranges
- Most ovens require a top rail of varying heights to create a finished look and clear the countertop overhang
- Refer to appliance manufacturer's specifications for adequate clearances and required installation materials

| |
|------------|
| AH |
| FE |
| RD |
| RTK |

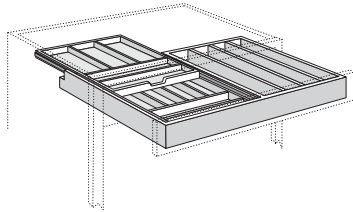
| | A-MIN. | A-MAX. | B-MIN. | B-MAX.* |
|--------|---------------|---------------|---------------|----------------|
| BOCU27 | 20 3/4" | 24 15/16" | 18 1/4" | 29" |
| BOCU30 | 23 3/4" | 27 15/16" | 18 1/4" | 29" |
| BOCU33 | 26 3/4" | 30 15/16" | 18 1/4" | 29" |

*Trimming/removal of top rail required

Wood Tiered Cutlery Divider Kit



18" Wide Shown

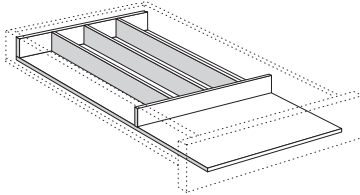
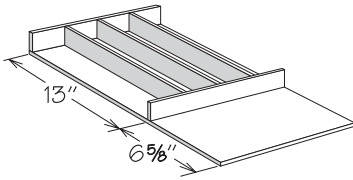


30" Wide Shown

- Available as factory installed for all door styles
- Field installed accessory replaces existing drawer box
- Glides are NOT included: reuse existing drawer glides
- Solid hardwood and plywood in natural finish
- Double-tiered cutlery divider slides independently from drawer
- Can be installed in cabinets with single drawer or side-by-side drawer configurations
- Not sized to fit cabinets with Reduced Depth Option

| WIDTH | UPPER SECTIONS | LOWER SECTIONS | COOKING UTENSIL SECTIONS |
|----------|----------------|----------------|--------------------------|
| WTCDAK15 | 5 | 5 | - |
| WTCDAK18 | 5 | 6 | - |
| WTCDAK21 | 6 | 7 | - |
| WTCDAK24 | 7 | 7 | - |
| WTCDAK30 | 5 | 5 | 4 |
| WTCDAK36 | 5 | 5 | 5 |

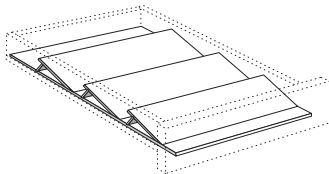
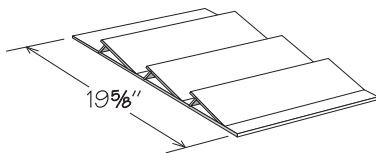
Cutlery Divider Kit



- Available as factory installed for all door styles
- Field installation accessory
- Solid hardwood and plywood in natural finish
- Not sized to fit cabinets with Reduced Depth Option

| | NUMBER OF SECTIONS | WIDTH |
|--------|--------------------|---------|
| CDAK15 | 4 | 9 3/4" |
| CDAK18 | 5 | 12 3/4" |
| CDAK21 | 6 | 15 3/4" |
| CDAK24 | 6 | 18 3/4" |
| CDAK30 | 7 | 24 3/4" |
| CDAK36 | 8 | 30 3/4" |

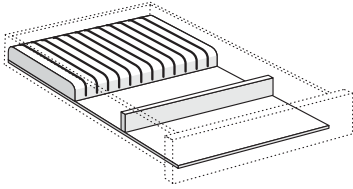
Spice Drawer Insert Kit



- Available as factory installed for all door styles
- Field installation accessory
- Solid hardwood and plywood in natural finish
- Accommodates most spice containers (not included)
- Not sized to fit cabinets with Reduced Depth Option

| | WIDTH |
|---------|---------|
| SDIAK15 | 9 3/4" |
| SDIAK18 | 12 3/4" |
| SDIAK21 | 15 3/4" |
| SDIAK24 | 18 3/4" |

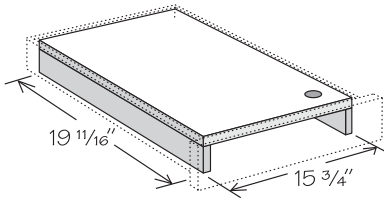
Knife Block Drawer Insert Kit



- Field installation accessory
- Solid hardwood in natural finish
- Not sized to fit cabinets with Reduced Depth Option

| | NUMBER OF KNIFE SLOTS | WIDTH |
|---------|-----------------------|---------|
| KBDIK15 | 10 | 9 3/4" |
| KBDIK18 | 13 | 12 3/4" |
| KBDIK21 | 16 | 15 3/4" |
| KBDIK24 | 19 | 18 3/4" |

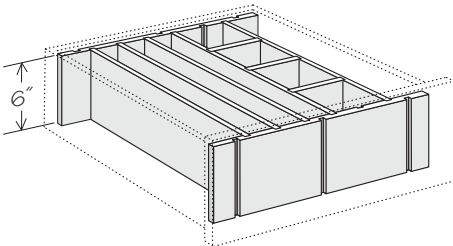
Drawer Work Surface NEW! PRODUCT



- Sized to fit in **select** and **luxury** drawer boxes
- Field trim to fit **essential** drawer box or cabinets with Reduced Depth
- Field installation accessory
- Work surface only - not to be used as a cutting board
- Workboard sits on two wooden supports to flush out top of drawer

DWS21

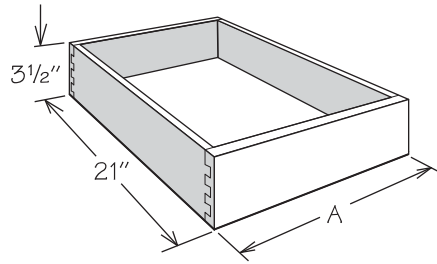
Adjustable Drawer Divider Kit



- For use in large drawers only
- Can be field trimmed in width and depth to accommodate 21" - 36" wide drawers and cabinets with the Reduced Depth Option
- Kit includes:
 - » Front and back panels with grooves
 - » Vertical dividers - two are grooved to accept horizontal dividers
 - » Horizontal dividers
 - » Installation screws

| | NUMBER OF VERTICAL DIVIDERS | NUMBER OF HORIZONTAL DIVIDERS |
|------------|-----------------------------|-------------------------------|
| ADDIK21/24 | 3 | 3 |
| ADDIK27/30 | 5 | 3 |
| ADDIK33/36 | 6 | 3 |

Deep Roll Out Tray Kit

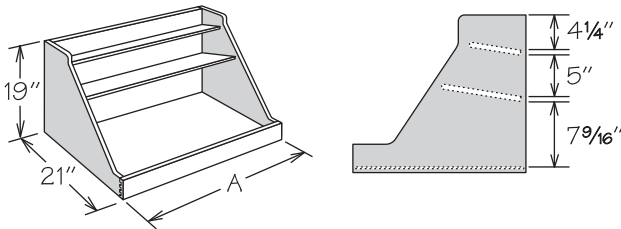


- Field installation accessory
- Natural finish dovetail drawer with engineered wood bottom for all construction packages
- Includes tray, all glide hardware and installation instructions
- DROT drill template is required for all two door cabinets that have a center stile - contact the allen + roth customer care for drill template

RD

| SINGLE DEEP ROLL OUT TRAY KIT | 4 PACK DEEP ROLL OUT TRAY KIT | A |
|--------------------------------------|--------------------------------------|----------------------------------|
| DROT12 | DROT12-4K | 7 ³ / ₄ " |
| DROT15 | DROT15-4K | 10 ³ / ₄ " |
| DROT18 | DROT18-4K | 13 ³ / ₄ " |
| DROT19 | - | 15 ¹ / ₄ " |
| DROT21 | DROT21-4K | 16 ³ / ₄ " |
| DROT24 | DROT24-4K | 19 ³ / ₄ " |
| DROT27 | DROT27-4K | 22 ³ / ₄ " |
| DROT30 | DROT30-4K | 25 ³ / ₄ " |
| DROT33 | DROT33-4K | 28 ³ / ₄ " |
| DROT36 | DROT36-4K | 31 ³ / ₄ " |

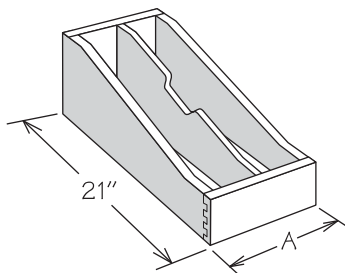
Base Pot & Pan Organizer Kit



- Field installation accessory
- Organizer features natural finish solid wood, wood veneer and dovetail (front only) construction with engineered wood bottom for all construction packages
- Top shelf of organizer measures 6³/₁₆" deep
- Middle shelf of organizer measures 9³/₄" deep
- Not sized to fit reduced depth cabinets

| | A | BASE CABINET SIZE | OVEN CABINET SIZE |
|---------|----------------------------------|--------------------------|--------------------------|
| BPPOK24 | 19 ³ / ₄ " | 24" | 27" |
| BPPOK27 | 22 ³ / ₄ " | 27" | 30" |
| BPPOK30 | 25 ³ / ₄ " | 30" | 33" |
| BPPOK33 | 28 ³ / ₄ " | 33" | — |
| BPPOK36 | 31 ³ / ₄ " | 36" | — |

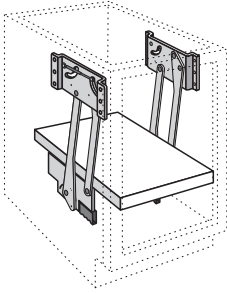
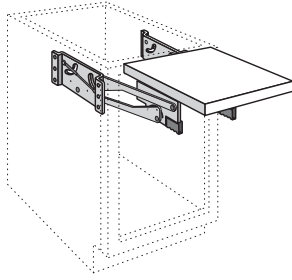
Roll-Out Tray Divider Kit



- Field installation accessory
- Natural finish solid wood and wood veneer and dovetail (front only) construction with engineered wood bottom for all construction packages
- ROTDK12 features two compartments (one partition)
- ROTDK15 features three compartments (two partitions)
- Partition(s) are field installed
- Not sized to fit reduced depth cabinets

| | A | CABINET SIZE |
|---------|----------------------------------|---------------------|
| ROTDK12 | 7 ³ / ₄ " | 12" |
| ROTDK15 | 10 ³ / ₄ " | 15" |

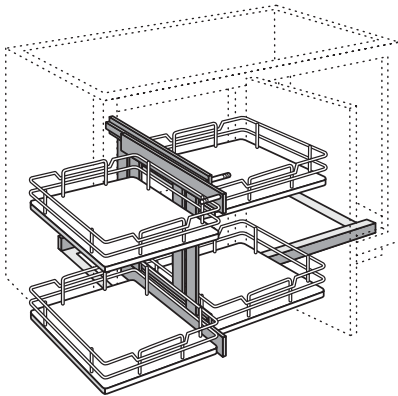
Base Mixer Lift Kit



- Field installation accessory
- Includes 1 $\frac{3}{8}$ " thick natural finish solid wood shelf and one pair of shock dampening, adjustable tension lifts
- Cannot be used with Deep Roll Out Trays or adjustable shelf
- Supports up to 60 pounds
- For use with B18 FH with Furniture Ends Option
- Mounts to cabinet side panels
- Not sized to fit cabinets with Reduced Depth Option

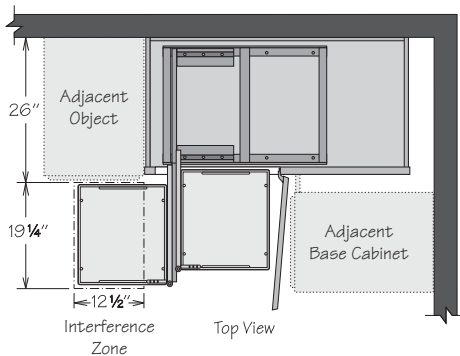
BMLK18

Blind Base Pull Out Kit

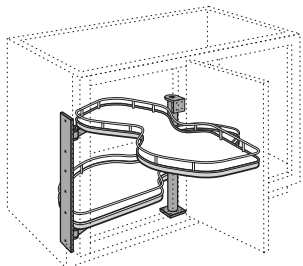


- Field installation accessory
- Can be reversed for left or right installation
- Two-tiered organizer features four chrome finish wire shelves with engineered wood bottoms with woodgrain look
- Features full-extension 100-pound rated glides
- For use with BLB45/48 FH or BLB48/51 FH
- Mounts to cabinet floor
- Unit requires 19 $\frac{1}{4}$ " of clearance in front of cabinet to pull the unit out, and 12 $\frac{1}{2}$ " of side clearance to slide unit over (see page 76 for more details)
- Baskets are able to be repositioned to allow clearance of deeper adjacent objects up to 26"

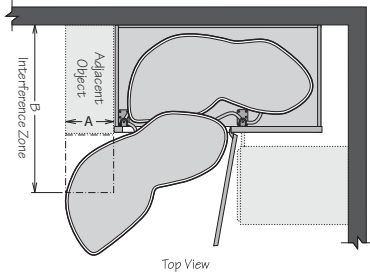
BLBP0K45



Blind Base Swing Out Kit



BLBSOK45L (left swing kit) shown in a BLB45/48 FHR (right hinged door)

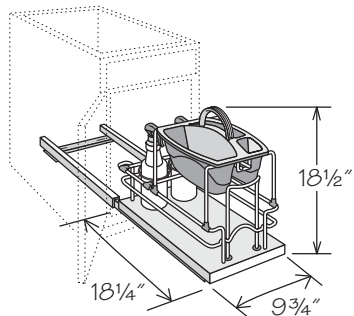


- Kit is not reversible and must be ordered as left or right - BLB_ L uses a BLBSOK45R and a BLB_ R uses a BLBSOK45L
- Field installation accessory
- Kit is not reversible and must be ordered as left or right
- Two-tiered organizer features two chrome finish wire shelves with engineered wood bottoms with woodgrain look
- Supports up to 55 pounds per shelf
- Recommended for use with BLB45/48 FH or BLB48/51 FH, can also be used with BLB45/48 or BLB48/51 - Furniture End Option required
- Mounts to cabinet side panel and telescopic pole (included)
- Not sized to fit cabinets with Reduced Depth Option
- Refer to page 77 for shelf clearances

BLBSOK45L
BLBSOK45R

| A (Distance from edge of BLB frame) | 0" | 3" | 6" | 9" | 12" | 13" |
|---|---------|---------|---------|---------|---------|-----------------|
| B (Maximum Depth of Adjacent Object) | 24 7/8" | 25 1/2" | 27 1/2" | 28 5/8" | 32 1/4" | no interference |

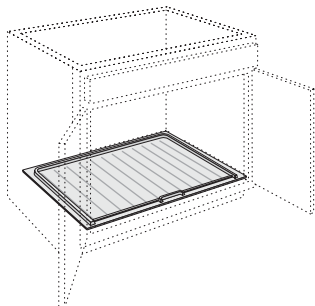
Cleaning Caddy Pullout Kit



- Field installation accessory
- Features metal and wire soft-close pull-out organizer with two 1L spray bottles and one removable gray cleaning caddy
- Supports up to 75 pounds
- Unit is configurable so that spray bottles can be installed at the front or back
- For use with 15" or wider base cabinet
- Mounts to cabinet floor
- For use in 24" deep cabinets, 21" deep vanity cabinets or cabinets with RD-23 through RD-20

CCPOK

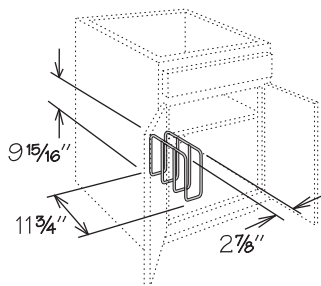
Sink Base Mat



- Field installation accessory
- Designed to funnel any leaks or spills out the front of the cabinet while protecting the cabinet floor
- Features flexible material in gray finish - easily trimmable
- Minor field trimming required for use in Deep Sink Base cabinets
- Not sized or trimmable to fit cabinets with Reduced Depth Option
- SBMAT39 is notched for center stile

SBMAT30
SBMAT33
SBMAT36
SBMAT39

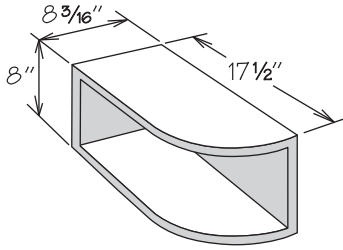
Cabinet Tray Divider



- Field installation accessory
- Chrome finish
- For use in 24" deep cabinets or cabinets with RD-23 through RD-14
- Mounting hardware included

TD3

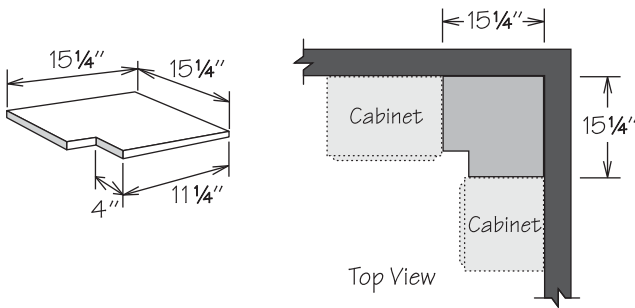
Sink Base Multi-Storage Shelf



- Field installation accessory
- 3/4" plywood with natural finish for all construction packages
- Invert for left or right installation

SBMSS

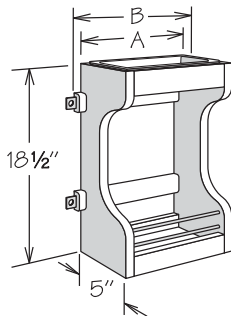
Blind Corner Closure



- Features 1/2" engineered wood with natural woodgrain finish on both sides for all construction packages
- Field trimmable

BLC1515

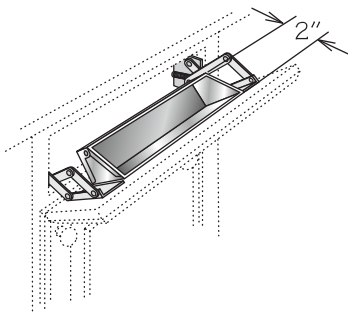
Sink Base Door Storage Unit



- Field installation accessory
- Natural finish solid wood
- Two fixed shelves
- Cannot be used with Deep Roll Out Trays
- Full-depth shelf must be field trimmed to half-depth
- Removable white plastic tray is NOT dishwasher safe
- SBDSU15 mounts to 15" or 16" wide base door
- SBDSU18 mounts to 18" or 19" wide base door
- Not sized to fit Deep Sink Base (DSB) cabinet doors

| | A | B |
|---------|---------|---------|
| SBDSU15 | 9" | 10 1/2" |
| SBDSU18 | 10 1/2" | 13 1/2" |

Tilt-Out Tray Kit

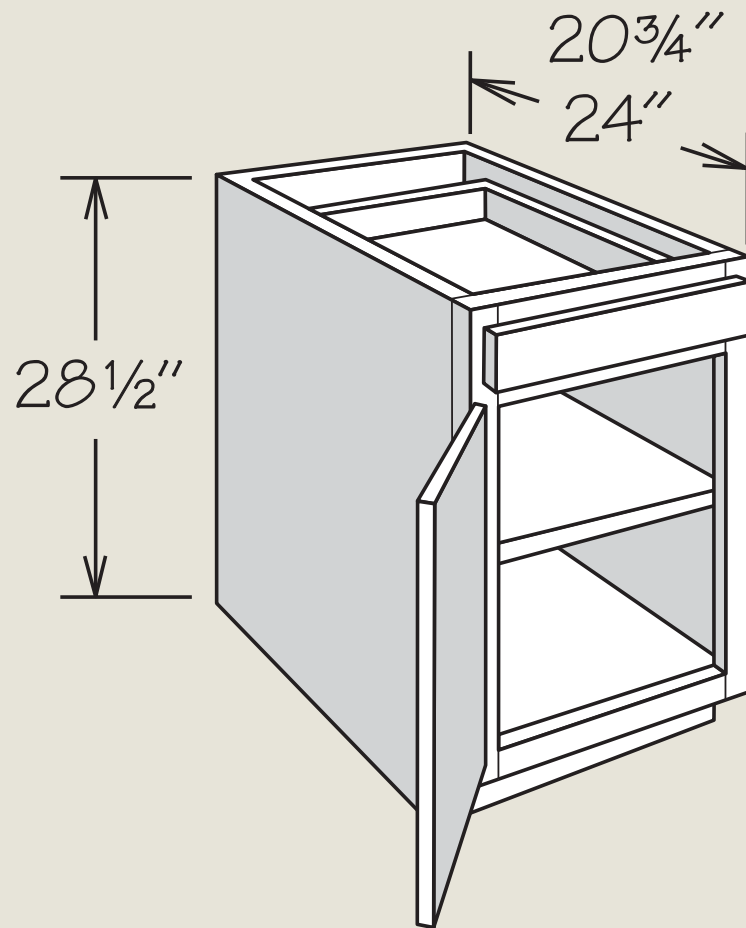


- Field installation accessory
- Kit features tray and one pair of scissor hinges
- Order units individually
- STO TRAY 11:
 - » Order one unit for SB18
- STO TRAY 14:
 - » Order one unit for SB21, SB24, SB27 or CSF42
 - » Order two units for SB39, SB42 or SB48
- STO TRAY 22:
 - » Order one unit for SB30, SB33 or SB36
- Sink front units match sink base sizes as noted above
- Tilt-Out Trays are NOT dishwasher safe

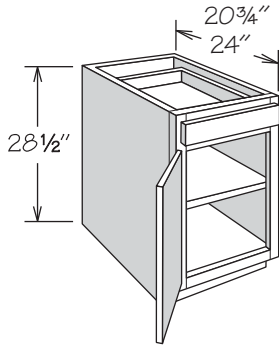
STAINLESS

STO TRAY 11
STO TRAY 14
STO TRAY 22

Desk Cabinets & Bookshelves



Desk Cabinet • 1 Door and 1 Drawer



- One adjustable shelf
- May be accessorized with one Deep Roll Out Tray
- Deep Roll Out Tray must be mounted on cabinet floor

| |
|-----|
| CFO |
| FE |
| RD |
| RTK |

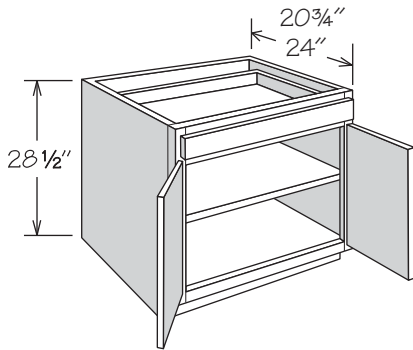
24" DEEP

DDOR1224
DDOR1524
DDOR1824
DDOR2124

21" DEEP

DDOR1221
DDOR1521
DDOR1821
DDOR2121

Desk Cabinet • 2 Butt Doors and 1 Drawer



- One adjustable shelf
- May be accessorized with one Deep Roll Out Tray
- Deep Roll Out Tray must be mounted on cabinet floor

| |
|-----|
| CFO |
| FE |
| RD |
| RTK |

24" DEEP

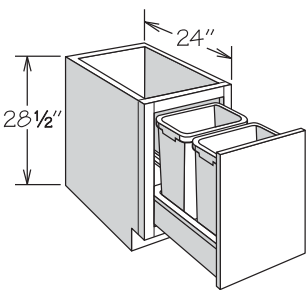
DDOR2424 BUTT

21" DEEP

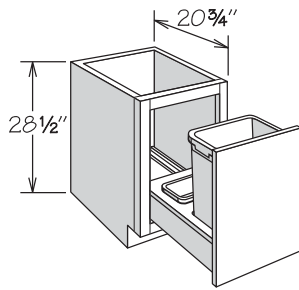
DDOR2421 BUTT

Desk Cabinet • 1 Door with Wastebasket Pull-Out

NEW! **UPDATE**



2 WASTEBASKETS



1 WASTEBASKET

- **UPDATE:** Wastebasket frame slides on soft-close heavy-duty (100 pound rated) glides for all construction packages
- Full-height door
- Wastebasket rests in a natural finish wood frame
- DWBB1824 features two silver plastic 35-quart capacity bins
- DWBB1821 features one silver plastic 35-quart capacity bin and bag storage tray at rear (not dishwasher safe)
- Decorative hardware strongly recommended

| |
|-----|
| FE |
| RTK |

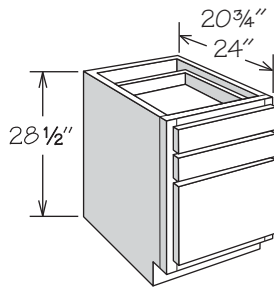
24" DEEP • 2 WASTEBASKETS

DWBB1824

21" DEEP • 1 WASTEBASKET

DWBB1821

Desk Drawer Cabinet • 3 Drawers



- One large and two standard drawers
- Large drawer cannot be used as a file drawer

| |
|-----|
| CFO |
| FE |
| RD |
| RTK |

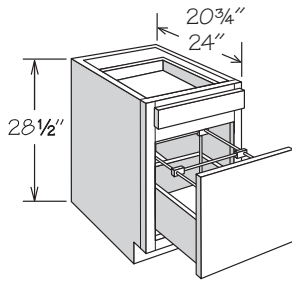
24" DEEP

DDR1224
DDR1524
DDR1824
DDR2124
DDR2424

21" DEEP

DDR1221
DDR1521
DDR1821
DDR2121
DDR2421

Desk File Pull-Out Cabinet • 1 Door Pull-Out and 1 Drawer



- One standard top drawer
- Features one natural finish wood drawer body attached to door pull-out
- File unit packaged separately for field installation
- Will accept letter or legal-size hanging files

| |
|-----|
| FE |
| RTK |

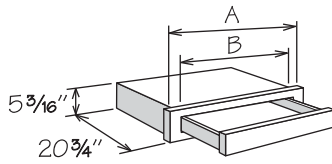
24" DEEP

DFDC1824

21" DEEP

DFDC1821

Kneehole Drawer Cabinet

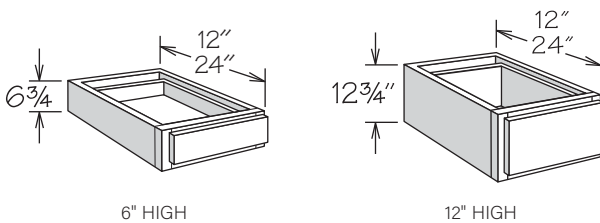


- Designed for desk or vanity application
- Field trimmable in height to 4 3/4"
- Field trimmable in depth to 18" or available with RD-20 through RD-12
- Drawer front complements door style - refer to door style section

| |
|----|
| RD |
|----|

| | A | B | MAX. TRIM |
|----------|-----|---------|------------------------|
| KDC27/21 | 27" | 17 3/4" | 21" (3" each side) |
| KDC33/27 | 33" | 23 3/4" | 27" (3" each side) |
| KDC36/33 | 36" | 29 3/4" | 33" (1 1/2" each side) |

Furniture Drawer Cabinet • 1 Drawer



- 6" high features one standard drawer and 12" high features one large drawer
- 24" deep Furniture Drawer cabinets are only available with RD-23 through RD-13
- Bottom of cabinet frame must be fully supported

| |
|------|
| CFO |
| FE |
| RD ■ |

6" HIGH • 1 DRAWER

12" Deep

FD121206
FD151206
FD181206
FD211206
FD241206
FD271206
FD301206
FD331206
FD361206

24" Deep

FD122406 ■
FD152406 ■
FD182406 ■
FD212406 ■
FD242406 ■
FD272406 ■
FD302406 ■
FD332406 ■
FD362406 ■

12" HIGH • 1 DRAWER

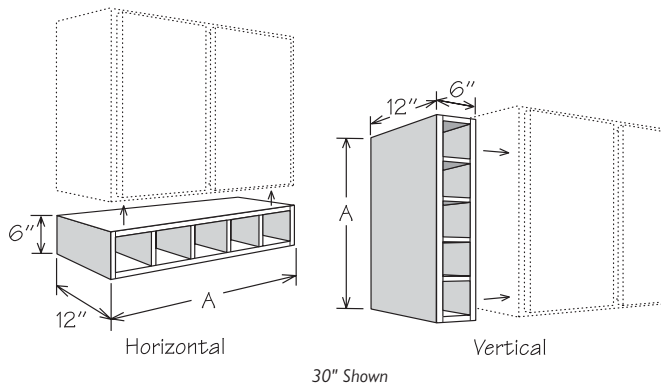
12" Deep

FD121212
FD151212
FD181212
FD211212
FD241212
FD271212
FD301212
FD331212
FD361212

24" Deep

FD122412 ■
FD152412 ■
FD182412 ■
FD212412 ■
FD242412 ■
FD272412 ■
FD302412 ■
FD332412 ■
FD362412 ■

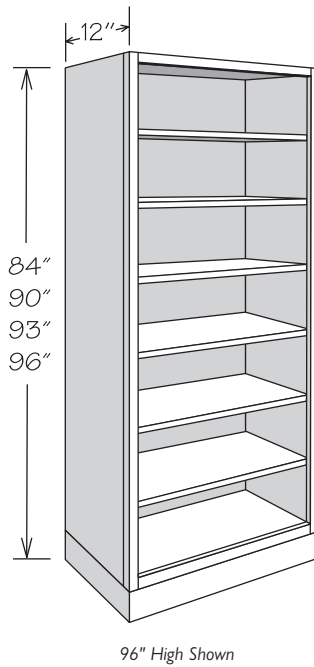
Storage Cube



- Vertical installation may require the use of fillers and/or molding which must be ordered separately
- Opening size is 5" wide x 4½" high (horizontal) which will accommodate most envelopes and various other office supplies
- Features ¾" veneered engineered wood finished to match cabinet box exterior for all construction packages
- Flush sides with no face frame or ¼" reveals
- Interior finished to match cabinet box exterior
- Cannot be retrofitted with Spice Drawer Cabinet drawers

| | A | NUMBER OF OPENINGS |
|------|----------|---------------------------|
| SC30 | 30" | 5 |
| SC36 | 36" | 6 |
| SC42 | 42" | 7 |

Tall Bookshelf



- Interior finished to match cabinet box exterior
- Flush furniture toe kick
- Toe kick shipped unattached for 93" and 96" high bookshelves
- Adjustable 2¾" plywood shelves finished to match cabinet box exterior included for all construction packages
- All shelving packaged separately for field installation
- All construction packages feature plywood box construction

| |
|-----------|
| FE |
| ID |
| RD |

12" DEEP

96"H - 6 Shelves

BSPLY1896
BSPLY2496
BSPLY3096
BSPLY3696

90"H - 6 Shelves

BSPLY1890
BSPLY2490
BSPLY3090
BSPLY3690

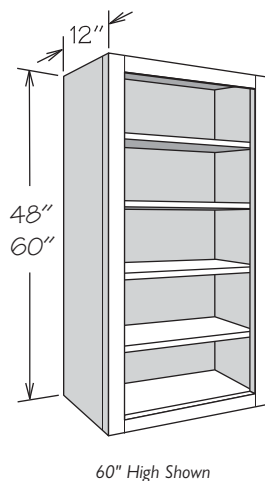
93"H - 6 Shelves

BSPLY1893
BSPLY2493
BSPLY3093
BSPLY3693

84"H - 5 Shelves

BSPLY1884
BSPLY2484
BSPLY3084
BSPLY3684

Wall Bookshelf



- Interior finished to match cabinet box exterior
- Adjustable 2¾" plywood shelves finished to match cabinet box exterior included for all construction packages
- All shelving packaged separately for field installation
- All construction packages feature plywood box construction

| |
|-----------|
| FE |
| ID |
| RD |

12" DEEP

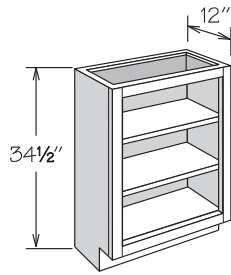
60"H - 4 Shelves

BSPLY1860
BSPLY2460
BSPLY3060
BSPLY3660

48"H - 3 Shelves

BSPLY1848
BSPLY2448
BSPLY3048
BSPLY3648

Base Bookshelf

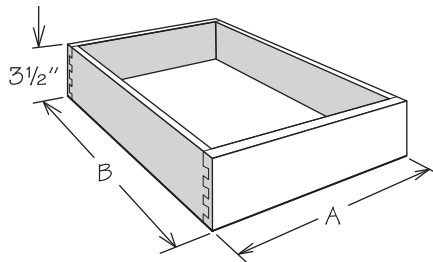


- Interior finished to match cabinet box exterior
- Two adjustable $2\frac{3}{32}$ " plywood shelves finished to match cabinet box exterior included for all construction packages
- All shelving packaged separately for field installation
- All construction packages feature plywood box construction

| |
|-----|
| FE |
| ID |
| RD |
| RTK |

12" DEEP
BSPLY2434

Deep Roll Out Tray Kit



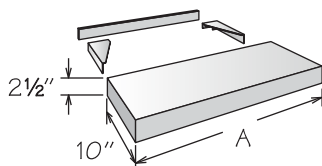
- Field installation accessory
- Natural finish dovetail drawer with engineered wood bottom for all construction packages
- Includes tray, all glide hardware and installation instructions
- Contact allen + roth customer care for drill template

| |
|----|
| RD |
|----|

DEEP ROLL OUT TRAY KIT

| | A | B |
|----------|---------|-----|
| DROT12 | 7 3/4" | 21" |
| DROT15 | 10 3/4" | 21" |
| DROT18 | 13 3/4" | 21" |
| DROT21 | 16 3/4" | 21" |
| DROT24 | 19 3/4" | 21" |
| DROT1221 | 7 3/4" | 18" |
| DROT1521 | 10 3/4" | 18" |
| DROT1821 | 13 3/4" | 18" |
| DROT2421 | 19 3/4" | 18" |

Floating Shelf

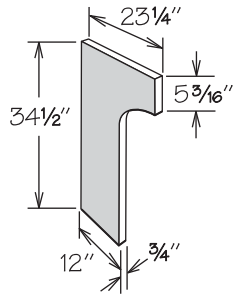


- Not trimmable
- Finished on all sides to match cabinet box exterior
- Constructed of engineered wood top and bottom and solid wood front and sides for all construction packages
- When installed between two cabinets, Furniture Ends (FE) are recommended for adjacent cabinets
- Must be secured to studs in wall
- Installation instructions, mounting brackets, and screws included

10" DEEP

| | A | MAX. LOAD |
|----------|-----|-----------|
| FLSH2410 | 24" | 30 lbs. |
| FLSH3010 | 30" | 37 lbs. |
| FLSH3610 | 36" | 45 lbs. |
| FLSH4210 | 42" | 52 lbs. |
| FLSH4810 | 48" | 60 lbs. |

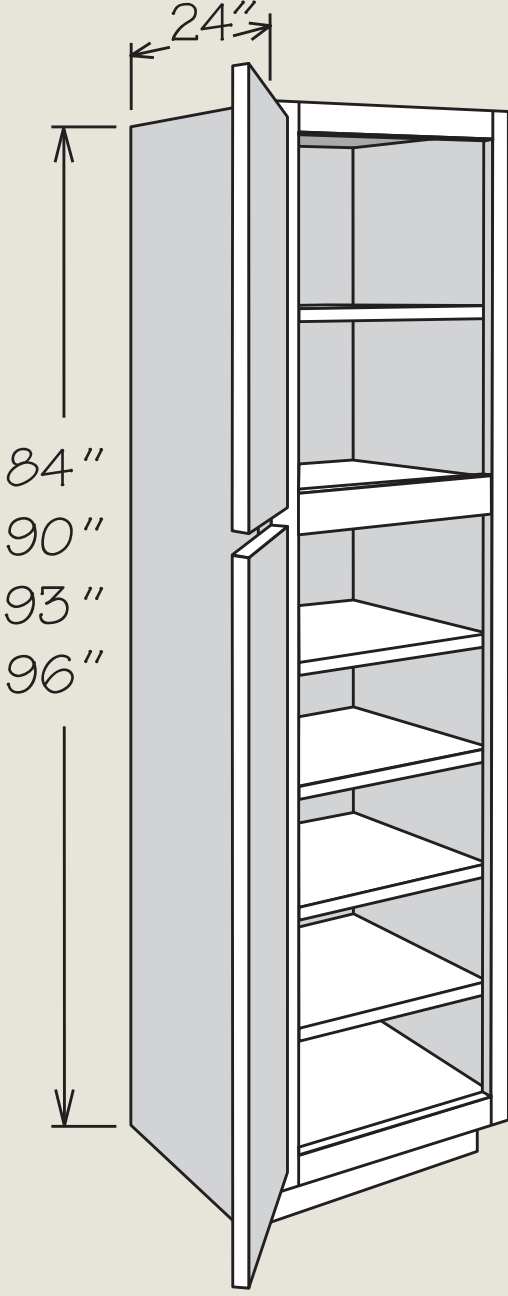
Desk End Panel



- Features 3/4" veneered engineered wood finished to match cabinet box exterior on both sides for all construction packages
- Recommend QM8 be ordered for installation to ensure proper attachment to wall
- Edge banded on front

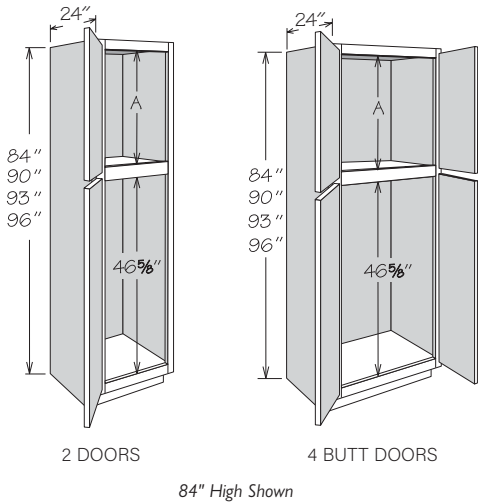
34 1/2" HIGHDEP

Tall Cabinets



Utility Cabinet

NEW! **PRODUCT**



- Shelving and optional interior accessories may be ordered separately
- Cabinet backs are pre-drilled to accept up to four Deep Roll Out Trays in lower section
- 4" inset toe kick assembly shipped inside 93" and 96" high cabinet — 33" wide x 93" high toe kicks ship as two pieces - seam will be visible between toe kick box and side of cabinet
- Two door cabinets must be ordered hinged left or right
- Specialty Door cabinets (SD) feature Matching Interior standard and require a specialty door selection
- Bottom doors have a center rail for select door styles - refer to door style section

| |
|------|
| AH |
| CFO |
| FE |
| MI ■ |
| RD |

| | A |
|----------|----------------------------------|
| 84" High | 26 ⁷ / ₈ " |
| 90" High | 32 ⁷ / ₈ " |
| 93" High | 35 ⁷ / ₈ " |
| 96" High | 38 ⁷ / ₈ " |

2 DOORS • 24" DEEP

96" H

- UT1224 X 96 ■
- UT1524 X 96 ■
- UT1824 X 96 ■
- UT2124 X 96 ■
- UT1224 X 96 SD
- UT1524 X 96 SD
- UT1824 X 96 SD
- UT2124 X 96 SD

93" H

- UT1224 X 93 ■
- UT1524 X 93 ■
- UT1824 X 93 ■
- UT2124 X 93 ■
- UT1224 X 93 SD
- UT1524 X 93 SD
- UT1824 X 93 SD
- UT2124 X 93 SD

90" H

- UT1224 X 90 ■
- UT1524 X 90 ■
- UT1824 X 90 ■
- UT2124 X 90 ■
- UT1224 X 90 SD
- UT1524 X 90 SD
- UT1824 X 90 SD
- UT2124 X 90 SD

84" H

- UT1224 X 84 ■
- UT1524 X 84 ■
- UT1824 X 84 ■
- UT2124 X 84 ■
- UT1224 X 84 SD
- UT1524 X 84 SD
- UT1824 X 84 SD
- UT2124 X 84 SD

4 BUTT DOORS • 24" DEEP

96" H

- UT2424 X 96 BUTT ■
- UT2724 X 96 BUTT ■
- UT3024 X 96 BUTT ■
- UT3324 X 96 BUTT ■
- UT3624 X 96 BUTT ■
- UT2424 X 96 BUTT SD
- UT2724 X 96 BUTT SD
- UT3024 X 96 BUTT SD
- UT3324 X 96 BUTT SD
- UT3624 X 96 BUTT SD

93" H

- UT2424 X 93 BUTT ■
- UT2724 X 93 BUTT ■
- UT3024 X 93 BUTT ■
- UT3324 X 93 BUTT ■
- UT3624 X 93 BUTT ■
- UT2424 X 93 BUTT SD
- UT2724 X 93 BUTT SD
- UT3024 X 93 BUTT SD
- UT3324 X 93 BUTT SD
- UT3624 X 93 BUTT SD

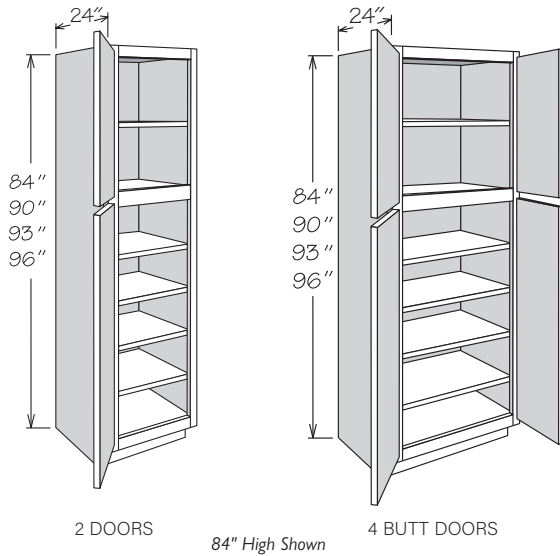
90" H

- UT2424 X 90 BUTT ■
- UT2724 X 90 BUTT ■
- UT3024 X 90 BUTT ■
- UT3324 X 90 BUTT ■
- UT3624 X 90 BUTT ■
- UT2424 X 90 BUTT SD
- UT2724 X 90 BUTT SD
- UT3024 X 90 BUTT SD
- UT3324 X 90 BUTT SD
- UT3624 X 90 BUTT SD

84" H

- UT2424 X 84 BUTT ■
- UT2724 X 84 BUTT ■
- UT3024 X 84 BUTT ■
- UT3324 X 84 BUTT ■
- UT3624 X 84 BUTT ■
- UT2424 X 84 BUTT SD
- UT2724 X 84 BUTT SD
- UT3024 X 84 BUTT SD
- UT3324 X 84 BUTT SD
- UT3624 X 84 BUTT SD

Utility Cabinet • Adjustable Shelves



- Bottom section features four adjustable shelves
- All shelving packaged separately for field installation
- 4" inset toe kick assembly shipped inside 93" and 96" high cabinets, 33" wide x 93" high toe kicks ship as two pieces - seam will be visible between toe kick box and side of cabinet
- Two door cabinets must be ordered hinged left or right
- Specialty Door cabinets (SD) feature Matching Interior standard and require a specialty door selection
- Bottom doors have a center rail for select door styles - refer to door style section

| |
|------|
| AH |
| FE |
| MI ■ |
| RD |

2 DOORS • 24" DEEP

96" H • 3 Top Shelves

- UT1224 X 96 AS ■
- UT1524 X 96 AS ■
- UT1824 X 96 AS ■
- UT2124 X 96 AS ■
- UT1224 X 96 AS SD
- UT1524 X 96 AS SD
- UT1824 X 96 AS SD
- UT2124 X 96 AS SD

93" H • 3 Top Shelves

- UT1224 X 93 AS ■
- UT1524 X 93 AS ■
- UT1824 X 93 AS ■
- UT2124 X 93 AS ■
- UT1224 X 93 AS SD
- UT1524 X 93 AS SD
- UT1824 X 93 AS SD
- UT2124 X 93 AS SD

90" H • 2 Top Shelves

- UT1224 X 90 AS ■
- UT1524 X 90 AS ■
- UT1824 X 90 AS ■
- UT2124 X 90 AS ■
- UT1224 X 90 AS SD
- UT1524 X 90 AS SD
- UT1824 X 90 AS SD
- UT2124 X 90 AS SD

84" H • 1 Top Shelf

- UT1224 X 84 AS ■
- UT1524 X 84 AS ■
- UT1824 X 84 AS ■
- UT2124 X 84 AS ■
- UT1224 X 84 AS SD
- UT1524 X 84 AS SD
- UT1824 X 84 AS SD
- UT2124 X 84 AS SD

4 BUTT DOORS • 24" DEEP

96" H • 3 Top Shelves

- UT2424 X 96 AS BUTT ■
- UT2724 X 96 AS BUTT ■
- UT3024 X 96 AS BUTT ■
- UT3324 X 96 AS BUTT ■
- UT3624 X 96 AS BUTT ■
- UT2424 X 96 AS BUTT SD
- UT2724 X 96 AS BUTT SD
- UT3024 X 96 AS BUTT SD
- UT3324 X 96 AS BUTT SD
- UT3624 X 96 AS BUTT SD

93" H • 3 Top Shelves

- UT2424 X 93 AS BUTT ■
- UT2724 X 93 AS BUTT ■
- UT3024 X 93 AS BUTT ■
- UT3324 X 93 AS BUTT ■
- UT3624 X 93 AS BUTT ■
- UT2424 X 93 AS BUTT SD
- UT2724 X 93 AS BUTT SD
- UT3024 X 93 AS BUTT SD
- UT3324 X 93 AS BUTT SD
- UT3624 X 93 AS BUTT SD

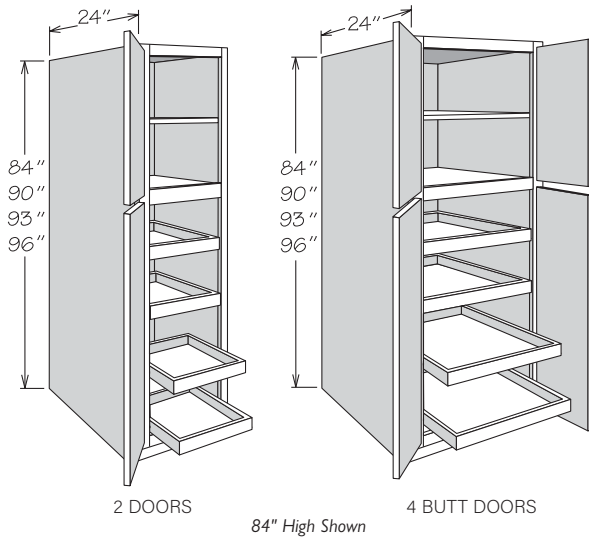
90" H • 2 Top Shelves

- UT2424 X 90 AS BUTT ■
- UT2724 X 90 AS BUTT ■
- UT3024 X 90 AS BUTT ■
- UT3324 X 90 AS BUTT ■
- UT3624 X 90 AS BUTT ■
- UT2424 X 90 AS BUTT SD
- UT2724 X 90 AS BUTT SD
- UT3024 X 90 AS BUTT SD
- UT3324 X 90 AS BUTT SD
- UT3624 X 90 AS BUTT SD

84" H • 1 Top Shelf

- UT2424 X 84 AS BUTT ■
- UT2724 X 84 AS BUTT ■
- UT3024 X 84 AS BUTT ■
- UT3324 X 84 AS BUTT ■
- UT3624 X 84 AS BUTT ■
- UT2424 X 84 AS BUTT SD
- UT2724 X 84 AS BUTT SD
- UT3024 X 84 AS BUTT SD
- UT3324 X 84 AS BUTT SD
- UT3624 X 84 AS BUTT SD

Utility Cabinet • Deep Roll Out Trays



- Bottom section features four Deep Roll Out Trays
- All shelving and Deep Roll Out Trays packaged separately for field installation
- 4" inset toe kick assembly shipped inside 93" and 96" high cabinets, 33" wide x 93" high toe kicks ship as two pieces - seam will be visible between toe kick box and side of cabinet
- Two door cabinets must be ordered hinged left or right
- Specialty Door cabinets (SD) feature Matching Interior standard and require a specialty door selection
- Bottom doors have a center rail for select door styles - refer to door style section

| |
|----|
| AH |
| FE |
| MI |
| RD |

2 DOORS • 24" DEEP**96" H • 3 Top Shelves**

UT1224 X 96 4ROT ■
 UT1524 X 96 4ROT ■
 UT1824 X 96 4ROT ■
 UT2124 X 96 4ROT ■
 UT1224 X 96 4ROT SD
 UT1524 X 96 4ROT SD
 UT1824 X 96 4ROT SD
 UT2124 X 96 4ROT SD

93" H • 3 Top Shelves

UT1224 X 93 4ROT ■
 UT1524 X 93 4ROT ■
 UT1824 X 93 4ROT ■
 UT2124 X 93 4ROT ■
 UT1224 X 93 4ROT SD
 UT1524 X 93 4ROT SD
 UT1824 X 93 4ROT SD
 UT2124 X 93 4ROT SD

90" H • 2 Top Shelves

UT1224 X 90 4ROT ■
 UT1524 X 90 4ROT ■
 UT1824 X 90 4ROT ■
 UT2124 X 90 4ROT ■
 UT1224 X 90 4ROT SD
 UT1524 X 90 4ROT SD
 UT1824 X 90 4ROT SD
 UT2124 X 90 4ROT SD

84" H • 1 Top Shelf

UT1224 X 84 4ROT ■
 UT1524 X 84 4ROT ■
 UT1824 X 84 4ROT ■
 UT2124 X 84 4ROT ■
 UT1224 X 84 4ROT SD
 UT1524 X 84 4ROT SD
 UT1824 X 84 4ROT SD
 UT2124 X 84 4ROT SD

4 BUTT DOORS • 24" DEEP**96" H • 3 Top Shelves**

UT2424 X 96 4ROT BUTT ■
 UT2724 X 96 4ROT BUTT ■
 UT3024 X 96 4ROT BUTT ■
 UT3324 X 96 4ROT BUTT ■
 UT3624 X 96 4ROT BUTT ■
 UT2424 X 96 4ROT BUTT SD
 UT2724 X 96 4ROT BUTT SD
 UT3024 X 96 4ROT BUTT SD
 UT3324 X 96 4ROT BUTT SD
 UT3624 X 96 4ROT BUTT SD

93" H • 3 Top Shelves

UT2424 X 93 4ROT BUTT ■
 UT2724 X 93 4ROT BUTT ■
 UT3024 X 93 4ROT BUTT ■
 UT3324 X 93 4ROT BUTT ■
 UT3624 X 93 4ROT BUTT ■
 UT2424 X 93 4ROT BUTT SD
 UT2724 X 93 4ROT BUTT SD
 UT3024 X 93 4ROT BUTT SD
 UT3324 X 93 4ROT BUTT SD
 UT3624 X 93 4ROT BUTT SD

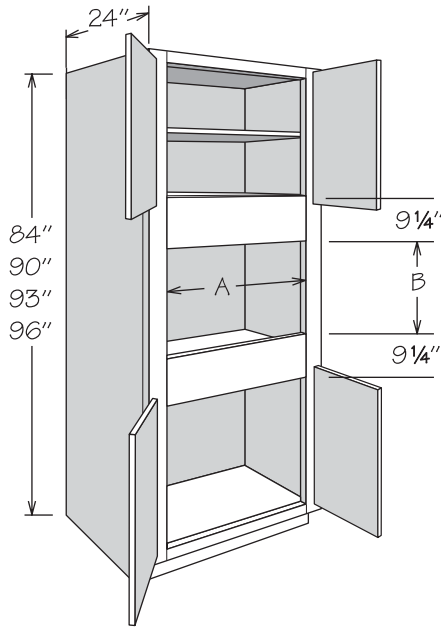
90" H • 2 Top Shelves

UT2424 X 90 4ROT BUTT ■
 UT2724 X 90 4ROT BUTT ■
 UT3024 X 90 4ROT BUTT ■
 UT3324 X 90 4ROT BUTT ■
 UT3624 X 90 4ROT BUTT ■
 UT2424 X 90 4ROT BUTT SD
 UT2724 X 90 4ROT BUTT SD
 UT3024 X 90 4ROT BUTT SD
 UT3324 X 90 4ROT BUTT SD
 UT3624 X 90 4ROT BUTT SD

84" H • 1 Top Shelf

UT2424 X 84 4ROT BUTT ■
 UT2724 X 84 4ROT BUTT ■
 UT3024 X 84 4ROT BUTT ■
 UT3324 X 84 4ROT BUTT ■
 UT3624 X 84 4ROT BUTT ■
 UT2424 X 84 4ROT BUTT SD
 UT2724 X 84 4ROT BUTT SD
 UT3024 X 84 4ROT BUTT SD
 UT3324 X 84 4ROT BUTT SD
 UT3624 X 84 4ROT BUTT SD

Single Oven Cabinet • 4 Butt Doors



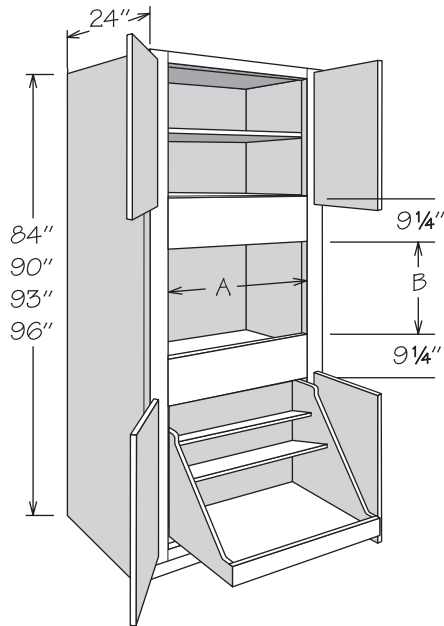
90" High Shown

- Features a solid back
- 3/8" stiles
- All door styles feature self-closing face-mounted hidden hinges
- Shelf packaged separately for field installation
- 4" inset toe kick assembly shipped inside 93" and 96" high cabinets, 33" wide x 93" high toe kicks ship as two pieces - seam will be visible between toe kick box and side of cabinet
- Refer to appliance manufacturer's specifications for adequate clearances and required installation materials

| |
|-----|
| AH |
| CFO |
| FE |
| RD |

| | A ACTUAL | A MAX. | B ACTUAL | B MAX. |
|-----------------------------|-------------|-----------|-------------|-----------|
| 96"H • 2 Top Shelves | | | | |
| OVS2796 AS BUTT | 20 3/4" | 25" | 22 1/8" | 37 3/8" |
| OVS3096 AS BUTT | 23 3/4" | 28" | 22 1/8" | 37 3/8" |
| OVS3396 AS BUTT | 26 3/4" | 31" | 22 1/8" | 37 3/8" |
| 93"H • 2 Top Shelves | | | | |
| OVS2793 AS BUTT | 20 3/4" | 25" | 22 1/8" | 37 3/8" |
| OVS3093 AS BUTT | 23 3/4" | 28" | 22 1/8" | 37 3/8" |
| OVS3393 AS BUTT | 26 3/4" | 31" | 22 1/8" | 37 3/8" |
| 90"H • 1 Top Shelf | | | | |
| OVS2790 AS BUTT | 20 3/4" | 25" | 21 3/4" | 37" |
| OVS3090 AS BUTT | 23 3/4" | 28" | 21 3/4" | 37" |
| OVS3390 AS BUTT | 26 3/4" | 31" | 21 3/4" | 37" |
| 84"H • No Shelf | | | | |
| OVS2784 BUTT | 20 3/4" | 25" | 22 1/8" | 37 3/8" |
| OVS3084 BUTT | 23 3/4" | 28" | 22 1/8" | 37 3/8" |
| OVS3384 BUTT | 26 3/4" | 31" | 22 1/8" | 37 3/8" |

Single Oven Cabinet • 4 Butt Doors and Pot & Pan Organizer



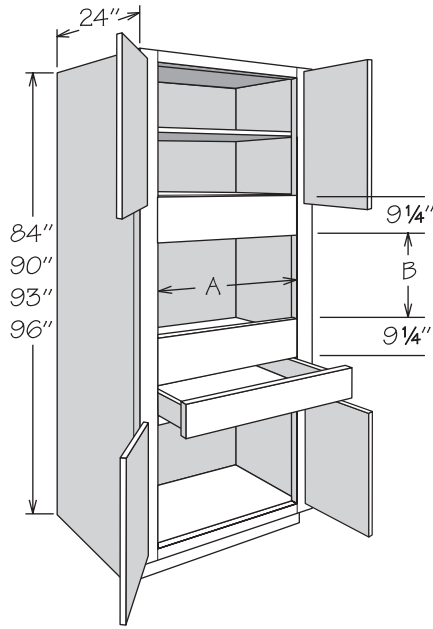
90" High Shown

- Features a solid back
- 3/8" stiles
- All doors styles feature self-closing face-mounted hidden hinges
- Shelving and Pot & Pan Organizer packaged separately for field installation
- Organizer features natural finish solid wood, wood veneer and dovetail (front only) construction with engineered wood bottom for all construction packages
- Organizer top shelf measures 6 3/8" deep
- Organizer middle shelf measures 9 3/4" deep
- 4" inset toe kick assembly shipped inside 93" and 96" high cabinets, 33" wide x 93" high toe kicks ship as two pieces - seam will be visible between toe kick box and side of cabinet
- Refer to appliance manufacturer's specifications for adequate clearances and required installation materials

| |
|----|
| FE |
|----|

| | A ACTUAL | A MAX. | B ACTUAL | B MAX. |
|-----------------------------|-------------|-----------|-------------|-----------|
| 96"H • 2 Top Shelves | | | | |
| OVS2796 BUTT BPPO | 20 3/4" | 25" | 22 1/8" | 37 3/8" |
| OVS3096 BUTT BPPO | 23 3/4" | 28" | 22 1/8" | 37 3/8" |
| OVS3396 BUTT BPPO | 26 3/4" | 31" | 22 1/8" | 37 3/8" |
| 93"H • 2 Top Shelves | | | | |
| OVS2793 BUTT BPPO | 20 3/4" | 25" | 22 1/8" | 37 3/8" |
| OVS3093 BUTT BPPO | 23 3/4" | 28" | 22 1/8" | 37 3/8" |
| OVS3393 BUTT BPPO | 26 3/4" | 31" | 22 1/8" | 37 3/8" |
| 90"H • 1 Top Shelf | | | | |
| OVS2790 BUTT BPPO | 20 3/4" | 25" | 21 3/4" | 37" |
| OVS3090 BUTT BPPO | 23 3/4" | 28" | 21 3/4" | 37" |
| OVS3390 BUTT BPPO | 26 3/4" | 31" | 21 3/4" | 37" |
| 84"H • No Shelf | | | | |
| OVS2784 BUTT BPPO | 20 3/4" | 25" | 22 1/8" | 37 3/8" |
| OVS3084 BUTT BPPO | 23 3/4" | 28" | 22 1/8" | 37 3/8" |
| OVS3384 BUTT BPPO | 26 3/4" | 31" | 22 1/8" | 37 3/8" |

Single Oven Cabinet • 4 Butt Doors and 1 Drawer



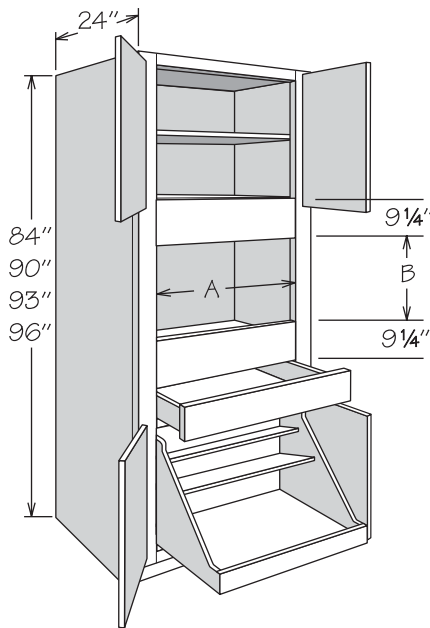
90" High Shown

- Features a solid back
- 3 1/8" stiles
- All door styles feature self-closing face-mounted hidden hinges
- One standard drawer
- Shelf packaged separately for field installation
- 4" inset toe kick assembly shipped inside 93" and 96" high cabinets, 33" wide x 93" high toe kicks ship as two pieces - seam will be visible between toe kick box and side of cabinet
- Refer to appliance manufacturer's specifications for adequate clearances and required installation materials

| |
|-----|
| AH |
| CFO |
| FE |
| RD |

| | A ACTUAL | A MAX. | B ACTUAL | B MAX. |
|-----------------------------|-------------|-----------|-------------|-----------|
| 96"H • 2 Top Shelves | | | | |
| OVS2796 AS BUTT 1DWR | 20 3/4" | 25" | 16 1/8" | 31 3/8" |
| OVS3096 AS BUTT 1DWR | 23 3/4" | 28" | 16 1/8" | 31 3/8" |
| OVS3396 AS BUTT 1DWR | 26 3/4" | 31" | 16 1/8" | 31 3/8" |
| 93"H • 2 Top Shelves | | | | |
| OVS2793 AS BUTT 1DWR | 20 3/4" | 25" | 16 1/8" | 31 3/8" |
| OVS3093 AS BUTT 1DWR | 23 3/4" | 28" | 16 1/8" | 31 3/8" |
| OVS3393 AS BUTT 1DWR | 26 3/4" | 31" | 16 1/8" | 31 3/8" |
| 90"H • 1 Top Shelf | | | | |
| OVS2790 AS BUTT 1DWR | 20 3/4" | 25" | 15 3/4" | 31" |
| OVS3090 AS BUTT 1DWR | 23 3/4" | 28" | 15 3/4" | 31" |
| OVS3390 AS BUTT 1DWR | 26 3/4" | 31" | 15 3/4" | 31" |
| 84"H • No Shelf | | | | |
| OVS2784 BUTT 1DWR | 20 3/4" | 25" | 16 1/8" | 31 3/8" |
| OVS3084 BUTT 1DWR | 23 3/4" | 28" | 16 1/8" | 31 3/8" |
| OVS3384 BUTT 1DWR | 26 3/4" | 31" | 16 1/8" | 31 3/8" |

Single Oven Cabinet • 4 Butt Doors and 1 Drawer, Pot & Pan Organizer



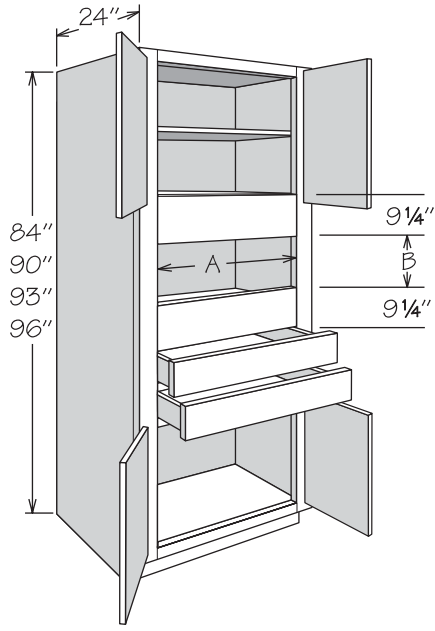
90" High Shown

- Features a solid back
- 3 1/8" stiles
- All door styles feature self-closing face-mounted hidden hinges
- Full-depth adjustable shelves and 3/4" engineered wood and edge banded on front edge only
- Shelving and Pot & Pan Organizer packaged separately for field installation
- Organizer features natural finish solid wood, wood veneer and dovetail (front only) construction with engineered wood bottom
- Organizer top shelf measures 6 7/8" deep
- Organizer middle shelf measures 9 3/4" deep
- 4" inset toe kick assembly shipped inside 93" and 96" high cabinets, 33" wide x 93" high toe kicks ship as two pieces - seam will be visible between toe kick box and side of cabinet
- Refer to appliance manufacturer's specifications for adequate clearances and required installation materials

| |
|----|
| FE |
|----|

| | A ACTUAL | A MAX. | B ACTUAL | B MAX. |
|-----------------------------|-------------|-----------|-------------|-----------|
| 96"H • 2 Top Shelves | | | | |
| OVS2796 BUTT 1DWR BPPO | 20 3/4" | 25" | 16 1/8" | 31 3/8" |
| OVS3096 BUTT 1DWR BPPO | 23 3/4" | 28" | 16 1/8" | 31 3/8" |
| OVS3396 BUTT 1DWR BPPO | 26 3/4" | 31" | 16 1/8" | 31 3/8" |
| 93"H • 2 Top Shelves | | | | |
| OVS2793 BUTT 1DWR BPPO | 20 3/4" | 25" | 16 1/8" | 31 3/8" |
| OVS3093 BUTT 1DWR BPPO | 23 3/4" | 28" | 16 1/8" | 31 3/8" |
| OVS3393 BUTT 1DWR BPPO | 26 3/4" | 31" | 16 1/8" | 31 3/8" |
| 90"H • 1 Top Shelf | | | | |
| OVS2790 BUTT 1DWR BPPO | 20 3/4" | 25" | 15 3/4" | 31" |
| OVS3090 BUTT 1DWR BPPO | 23 3/4" | 28" | 15 3/4" | 31" |
| OVS3390 BUTT 1DWR BPPO | 26 3/4" | 31" | 15 3/4" | 31" |
| 84"H • No Shelf | | | | |
| OVS2784 BUTT 1DWR BPPO | 20 3/4" | 25" | 16 1/8" | 31 3/8" |
| OVS3084 BUTT 1DWR BPPO | 23 3/4" | 28" | 16 1/8" | 31 3/8" |
| OVS3384 BUTT 1DWR BPPO | 26 3/4" | 31" | 16 1/8" | 31 3/8" |

Single Oven Cabinet • 4 Butt Doors and 2 Drawers



90" High Shown

- Features a solid back
- 3/8" stiles
- All door styles feature self-closing face-mounted hidden hinges
- Two standard drawers
- Shelf packaged separately for field installation
- 4" inset toe kick assembly shipped inside 93" and 96" high cabinets, 33" wide x 93" high toe kicks ship as two pieces - seam will be visible between toe kick box and side of cabinet
- Refer to appliance manufacturer's specifications for adequate clearances and required installation materials

| |
|-----|
| AH |
| CFO |
| FE |
| RD |

| A | A | B | B |
|--------|------|--------|------|
| ACTUAL | MAX. | ACTUAL | MAX. |

96"H • 2 Top Shelves

| | | | | |
|----------------------|---------|-----|---------|---------|
| OVS2796 AS BUTT 2DWR | 20 3/4" | 25" | 10 1/8" | 25 3/8" |
| OVS3096 AS BUTT 2DWR | 23 3/4" | 28" | 10 1/8" | 25 3/8" |
| OVS3396 AS BUTT 2DWR | 26 3/4" | 31" | 10 1/8" | 25 3/8" |

93"H • 2 Top Shelves

| | | | | |
|----------------------|---------|-----|---------|---------|
| OVS2793 AS BUTT 2DWR | 20 3/4" | 25" | 10 1/8" | 25 3/8" |
| OVS3093 AS BUTT 2DWR | 23 3/4" | 28" | 10 1/8" | 25 3/8" |
| OVS3393 AS BUTT 2DWR | 26 3/4" | 31" | 10 1/8" | 25 3/8" |

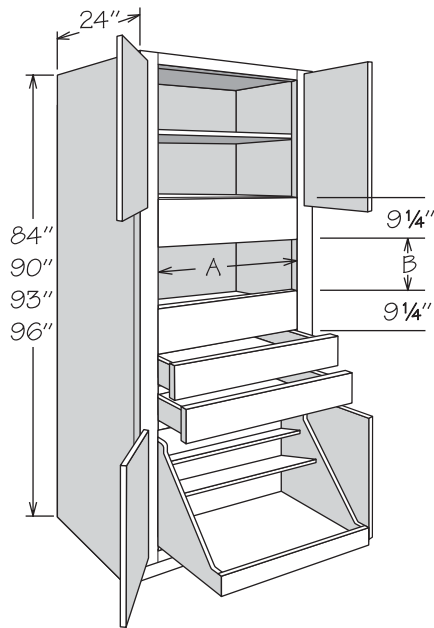
90"H • 1 Top Shelf

| | | | | |
|----------------------|---------|-----|--------|-----|
| OVS2790 AS BUTT 2DWR | 20 3/4" | 25" | 9 3/4" | 25" |
| OVS3090 AS BUTT 2DWR | 23 3/4" | 28" | 9 3/4" | 25" |
| OVS3390 AS BUTT 2DWR | 26 3/4" | 31" | 9 3/4" | 25" |

84"H • No Shelf

| | | | | |
|-------------------|---------|-----|---------|---------|
| OVS2784 BUTT 2DWR | 20 3/4" | 25" | 10 1/8" | 25 3/8" |
| OVS3084 BUTT 2DWR | 23 3/4" | 28" | 10 1/8" | 25 3/8" |
| OVS3384 BUTT 2DWR | 26 3/4" | 31" | 10 1/8" | 25 3/8" |

Single Oven Cabinet • 4 Butt Doors, 2 Drawers and Pot & Pan Organizer



90" High Shown

- Features a solid back
- 3/8" stiles
- All door styles feature self-closing face-mounted hidden hinges
- Two standard drawers
- Shelving and Pot & Pan Organizer packaged separately for field installation
- Organizer features natural finish solid wood, wood veneer and dovetail (front only) construction with engineered wood bottom
- Organizer top shelf measures 6 3/8" deep
- Organizer middle shelf measures 9 3/4" deep
- 4" inset toe kick assembly shipped inside 93" and 96" high cabinets, 33" wide x 93" high toe kicks ship as two pieces - seam will be visible between toe kick box and side of cabinet
- Refer to appliance manufacturer's specifications for adequate clearances and required installation materials

| |
|----|
| FE |
|----|

| A | A | B | B |
|--------|------|--------|------|
| ACTUAL | MAX. | ACTUAL | MAX. |

96"H • 2 Top Shelves

| | | | | |
|------------------------|---------|-----|---------|---------|
| OVS2796 BUTT 2DWR BPPO | 20 3/4" | 25" | 10 1/8" | 25 3/8" |
| OVS3096 BUTT 2DWR BPPO | 23 3/4" | 28" | 10 1/8" | 25 3/8" |
| OVS3396 BUTT 2DWR BPPO | 26 3/4" | 31" | 10 1/8" | 25 3/8" |

93"H • 2 Top Shelves

| | | | | |
|------------------------|---------|-----|---------|---------|
| OVS2793 BUTT 2DWR BPPO | 20 3/4" | 25" | 10 1/8" | 25 3/8" |
| OVS3093 BUTT 2DWR BPPO | 23 3/4" | 28" | 10 1/8" | 25 3/8" |
| OVS3393 BUTT 2DWR BPPO | 26 3/4" | 31" | 10 1/8" | 25 3/8" |

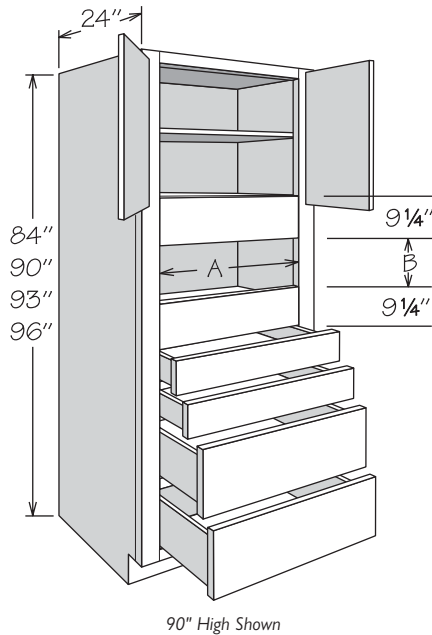
90"H • 1 Top Shelf

| | | | | |
|------------------------|---------|-----|--------|-----|
| OVS2790 BUTT 2DWR BPPO | 20 3/4" | 25" | 9 3/4" | 25" |
| OVS3090 BUTT 2DWR BPPO | 23 3/4" | 28" | 9 3/4" | 25" |
| OVS3390 BUTT 2DWR BPPO | 26 3/4" | 31" | 9 3/4" | 25" |

84"H • No Shelf

| | | | | |
|------------------------|---------|-----|---------|---------|
| OVS2784 BUTT 2DWR BPPO | 20 3/4" | 25" | 10 1/8" | 25 3/8" |
| OVS3084 BUTT 2DWR BPPO | 23 3/4" | 28" | 10 1/8" | 25 3/8" |
| OVS3384 BUTT 2DWR BPPO | 26 3/4" | 31" | 10 1/8" | 25 3/8" |

Single Oven Cabinet • 2 Butt Doors and 4 Drawers

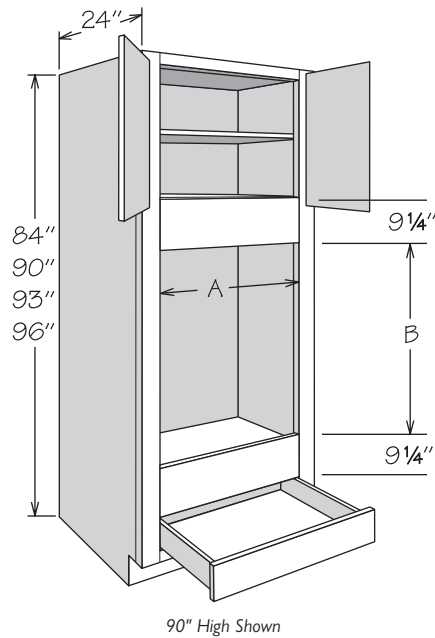


- Features a solid back
- 3/8" stiles
- All door styles feature self-closing face-mounted hidden hinges
- Two standard and two large drawers
- Shelf packaged separately for field installation
- 4" inset toe kick assembly shipped inside 93" and 96" high cabinets, 33" wide x 93" high toe kicks ship as two pieces - seam will be visible between toe kick box and side of cabinet
- Refer to appliance manufacturer's specifications for adequate clearances and required installation materials

| |
|-----|
| AH |
| CFO |
| FE |
| RD |

| | A ACTUAL | A MAX. | B ACTUAL | B MAX. |
|-----------------------------|-------------|-----------|-------------|-----------|
| 96"H • 2 Top Shelves | | | | |
| OVS2796 AS BUTT 4DWR | 20 3/4" | 25" | 10 1/8" | 25 3/8" |
| OVS3096 AS BUTT 4DWR | 23 3/4" | 28" | 10 1/8" | 25 3/8" |
| OVS3396 AS BUTT 4DWR | 26 3/4" | 31" | 10 1/8" | 25 3/8" |
| 93"H • 2 Top Shelves | | | | |
| OVS2793 AS BUTT 4DWR | 20 3/4" | 25" | 10 1/8" | 25 3/8" |
| OVS3093 AS BUTT 4DWR | 23 3/4" | 28" | 10 1/8" | 25 3/8" |
| OVS3393 AS BUTT 4DWR | 26 3/4" | 31" | 10 1/8" | 25 3/8" |
| 90"H • 1 Top Shelf | | | | |
| OVS2790 AS BUTT 4DWR | 20 3/4" | 25" | 9 3/4" | 25" |
| OVS3090 AS BUTT 4DWR | 23 3/4" | 28" | 9 3/4" | 25" |
| OVS3390 AS BUTT 4DWR | 26 3/4" | 31" | 9 3/4" | 25" |
| 84"H • No Shelf | | | | |
| OVS2784 BUTT 4DWR | 20 3/4" | 25" | 10 1/8" | 25 3/8" |
| OVS3084 BUTT 4DWR | 23 3/4" | 28" | 10 1/8" | 25 3/8" |
| OVS3384 BUTT 4DWR | 26 3/4" | 31" | 10 1/8" | 25 3/8" |

Double Oven Cabinet • 2 Butt Doors and 1 Drawer

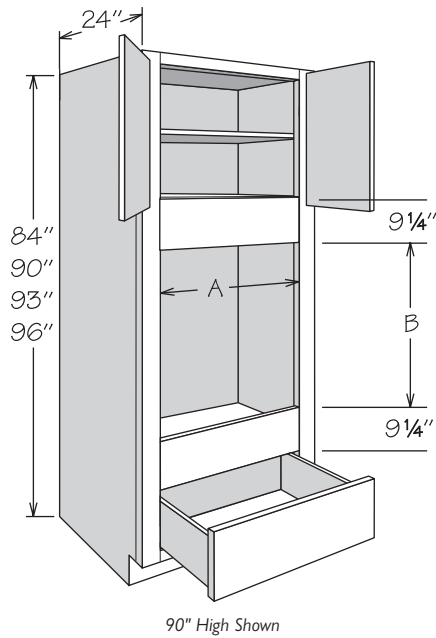


- Features a solid back
- 3/8" stiles
- One standard drawer
- All door styles feature self-closing face-mounted hidden hinges
- Shelf packaged separately for field installation
- 4" inset toe kick assembly shipped inside 93" and 96" high cabinets, 33" wide x 93" high toe kicks ship as two pieces - seam will be visible between toe kick box and side of cabinet
- Refer to appliance manufacturer's specifications for adequate clearances and required installation materials

| |
|-----|
| AH |
| CFO |
| FE |
| RD |

| | A ACTUAL | A MAX. | B ACTUAL | B MAX. |
|-----------------------------|-------------|-----------|-------------|-----------|
| 96"H • 2 Top Shelves | | | | |
| OVD2796 AS BUTT | 20 3/4" | 25" | 39" | 54 1/4" |
| OVD3096 AS BUTT | 23 3/4" | 28" | 39" | 54 1/4" |
| OVD3396 AS BUTT | 26 3/4" | 31" | 39" | 54 1/4" |
| 93"H • 2 Top Shelves | | | | |
| OVD2793 AS BUTT | 20 3/4" | 25" | 39" | 54 1/4" |
| OVD3093 AS BUTT | 23 3/4" | 28" | 39" | 54 1/4" |
| OVD3393 AS BUTT | 26 3/4" | 31" | 39" | 54 1/4" |
| 90"H • 1 Top Shelf | | | | |
| OVD2790 AS BUTT | 20 3/4" | 25" | 38 5/8" | 53 7/8" |
| OVD3090 AS BUTT | 23 3/4" | 28" | 38 5/8" | 53 7/8" |
| OVD3390 AS BUTT | 26 3/4" | 31" | 38 5/8" | 53 7/8" |
| 84"H • No Shelf | | | | |
| OVD2784 BUTT | 20 3/4" | 25" | 39" | 54 1/4" |
| OVD3084 BUTT | 23 3/4" | 28" | 39" | 54 1/4" |
| OVD3384 BUTT | 26 3/4" | 31" | 39" | 54 1/4" |

Double Oven Cabinet • 2 Butt Doors and 1 Large Drawer

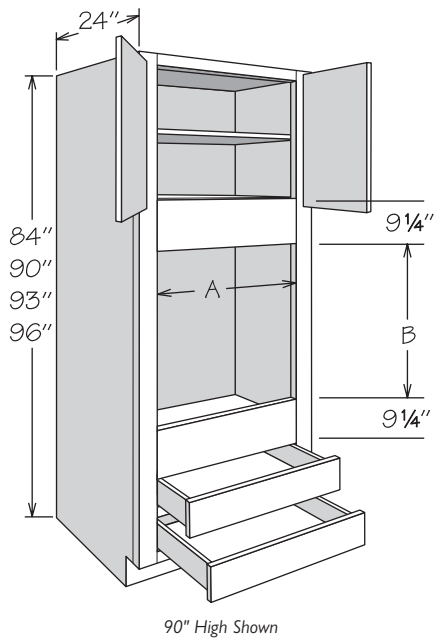


- Features a solid back
- 3/8" stiles
- All door styles feature self-closing face-mounted hidden hinges
- One large drawer
- Shelf packaged separately for field installation
- 4" inset toe kick assembly shipped inside 93" and 96" high cabinets, 33" wide x 93" high toe kicks ship as two pieces - seam will be visible between toe kick box and side of cabinet
- Refer to appliance manufacturer's specifications for adequate clearances and required installation materials

| |
|-----|
| AH |
| CFO |
| FE |
| RD |

| | A ACTUAL | A MAX. | B ACTUAL | B MAX. |
|-----------------------------|-------------|-----------|-------------|-----------|
| 96"H • 2 Top Shelves | | | | |
| OVD2796 AS BUTT 1DDWR | 20 3/4" | 25" | 33 3/16" | 48 13/16" |
| OVD3096 AS BUTT 1DDWR | 23 3/4" | 28" | 33 3/16" | 48 13/16" |
| OVD3396 AS BUTT 1DDWR | 26 3/4" | 31" | 33 3/16" | 48 13/16" |
| 93"H • 2 Top Shelves | | | | |
| OVD2793 AS BUTT 1DDWR | 20 3/4" | 25" | 33 3/16" | 48 13/16" |
| OVD3093 AS BUTT 1DDWR | 23 3/4" | 28" | 33 3/16" | 48 13/16" |
| OVD3393 AS BUTT 1DDWR | 26 3/4" | 31" | 33 3/16" | 48 13/16" |
| 90"H • 1 Top Shelf | | | | |
| OVD2790 AS BUTT 1DDWR | 20 3/4" | 25" | 33 3/16" | 48 7/16" |
| OVD3090 AS BUTT 1DDWR | 23 3/4" | 28" | 33 3/16" | 48 7/16" |
| OVD3390 AS BUTT 1DDWR | 26 3/4" | 31" | 33 3/16" | 48 7/16" |
| 84"H • No Shelf | | | | |
| OVD2784 BUTT 1DDWR | 20 3/4" | 25" | 33 3/16" | 48 13/16" |
| OVD3084 BUTT 1DDWR | 23 3/4" | 28" | 33 3/16" | 48 13/16" |
| OVD3384 BUTT 1DDWR | 26 3/4" | 31" | 33 3/16" | 48 13/16" |

Double Oven Cabinet • 2 Butt Doors and 2 Drawers

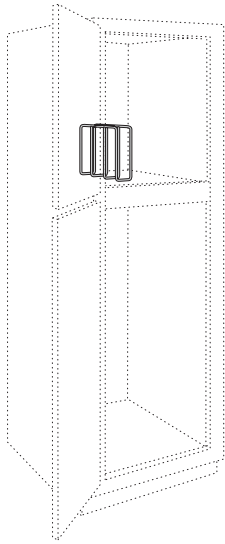


- Features a solid back
- 3/8" stiles
- All door styles feature self-closing face-mounted hidden hinges
- Two standard drawers
- Shelf packaged separately for field installation
- 4" inset toe kick assembly shipped inside 93" and 96" high cabinets, 33" wide x 93" high toe kicks ship as two pieces - seam will be visible between toe kick box and side of cabinet
- Refer to appliance manufacturer's specifications for adequate clearances and required installation materials

| |
|-----|
| CFO |
| FE |
| RD |

| | A ACTUAL | A MAX. | B ACTUAL | B MAX. |
|-----------------------------|-------------|-----------|-------------|-----------|
| 96"H • 2 Top Shelves | | | | |
| OVD2796 AS BUTT 2DWR | 20 3/4" | 25" | 33" | 48 1/4" |
| OVD3096 AS BUTT 2DWR | 23 3/4" | 28" | 33" | 48 1/4" |
| OVD3396 AS BUTT 2DWR | 26 3/4" | 31" | 33" | 48 1/4" |
| 93"H • 2 Top Shelves | | | | |
| OVD2793 AS BUTT 2DWR | 20 3/4" | 25" | 33" | 48 1/4" |
| OVD3093 AS BUTT 2DWR | 23 3/4" | 28" | 33" | 48 1/4" |
| OVD3393 AS BUTT 2DWR | 26 3/4" | 31" | 33" | 48 1/4" |
| 90"H • 1 Top Shelf | | | | |
| OVD2790 AS BUTT 2DWR | 20 3/4" | 25" | 32 5/8" | 47 7/8" |
| OVD3090 AS BUTT 2DWR | 23 3/4" | 28" | 32 5/8" | 47 7/8" |
| OVD3390 AS BUTT 2DWR | 26 3/4" | 31" | 32 5/8" | 47 7/8" |
| 84"H • No Shelf | | | | |
| OVD2784 BUTT 2DWR | 20 3/4" | 25" | 33" | 48 1/4" |
| OVD3084 BUTT 2DWR | 23 3/4" | 28" | 33" | 48 1/4" |
| OVD3384 BUTT 2DWR | 26 3/4" | 31" | 33" | 48 1/4" |

Cabinet Tray Divider

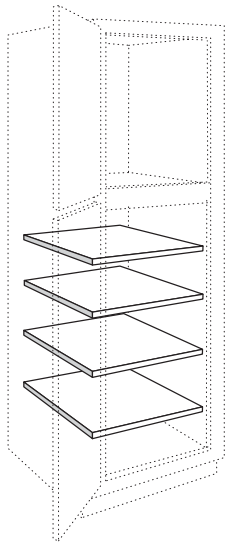


- Field installation accessory
- Chrome finish
- Mounting hardware included
- Overall dimensions: 2 $\frac{7}{8}$ " wide x 9 $\frac{15}{16}$ " high x 11 $\frac{3}{4}$ " deep
- Order Cabinet Tray Dividers individually
- For use in 24" deep cabinets or cabinets with RD-23 through RD-14

RD

TD3

Adjustable Shelves



- Field installation accessory
- $\frac{3}{4}$ " engineered wood for all construction packages
- Edge banded on front edge only
- CLIP LOCK shelf rests included

MI
RD

ADJUSTABLE SHELF

24" Deep

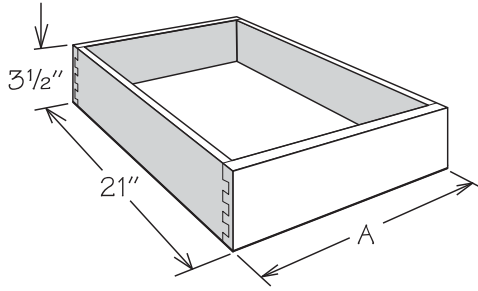
S1224
S1524
S1824
S2124
S2424
S2724
S3024
S3324
S3624

4 PACK SHELF KIT

24" Deep

SK1224
SK1524
SK1824
SK2124
SK2424
SK2724
SK3024
SK3324
SK3624

Deep Roll Out Trays

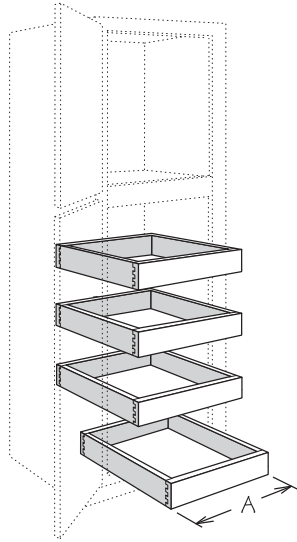


- Field installation accessory
- Natural finish dovetail drawer with engineered wood bottom for all construction packages
- Includes tray, all glide hardware and installation instructions

RD

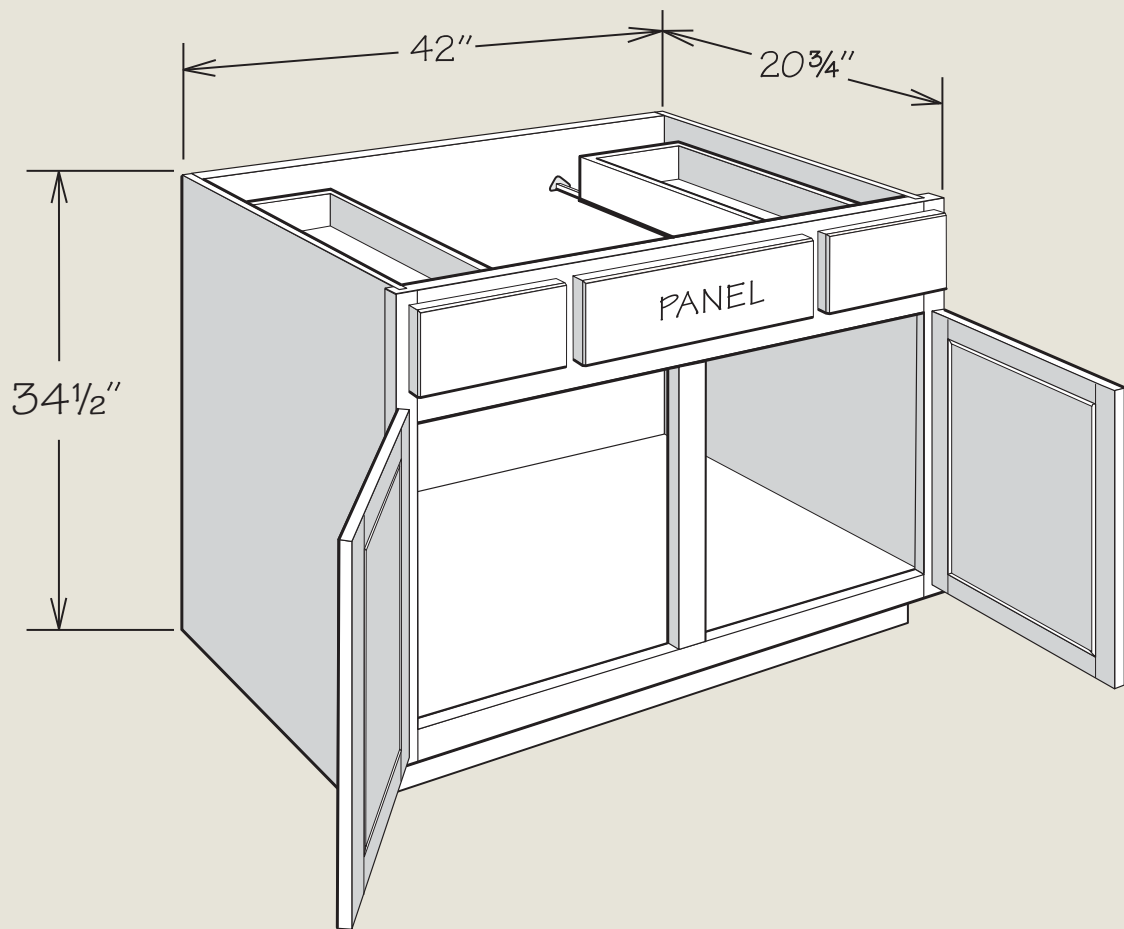
OVEN SIZE

| | |
|--------|-------|
| DROT24 | OVS27 |
| DROT27 | OVS30 |
| DROT30 | OVS33 |

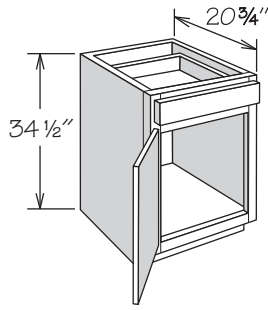


| SINGLE DEEP ROLL OUT TRAY KIT | 4 PACK DEEP ROLL OUT TRAY KIT | A |
|--|--|----------|
| DROT12 | DROT12-4K | 7 3/4" |
| DROT15 | DROT15-4K | 10 3/4" |
| DROT18 | DROT18-4K | 13 3/4" |
| DROT21 | DROT21-4K | 16 3/4" |
| DROT24 | DROT24-4K | 19 3/4" |
| DROT27 | DROT27-4K | 22 3/4" |
| DROT30 | DROT30-4K | 25 3/4" |
| DROT33 | DROT33-4K | 28 3/4" |
| DROT36 | DROT36-4K | 31 3/4" |

Vanity Cabinets



Vanity Base • 1 Door



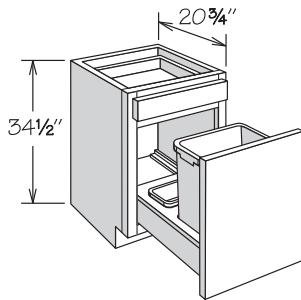
- No shelf
- Door is hinged left and can be reversed in the field
- Not drilled for adjustable shelf

| |
|-----|
| AH |
| CFO |
| FE |
| RD |
| RTK |

VB1234H
VB1534H
VB1834H
VB2134H

Vanity Base Cabinet • 1 Drawer and 1 Door with Wastebasket Pull-Out

NEW! **UPDATE**

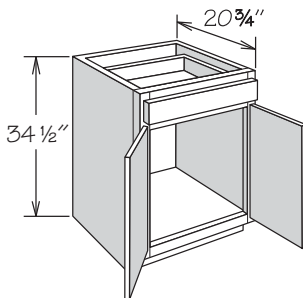


- **UPDATE:** Wastebasket frame slides on soft-close heavy-duty (100 pound rated) glides for all construction packages
 - » Upper drawer system will feature standard construction
- Wastebasket rests in a natural finish wood frame
- Features one silver plastic 35-quart capacity bin and bag storage tray at rear (not dishwasher safe)
- Decorative hardware strongly recommended

| |
|-----|
| AH |
| FE |
| RTK |

VWBB1834H

Vanity Base • 2 Butt Doors and 1 Drawer

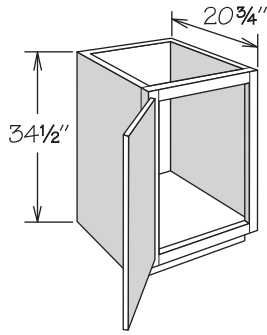


- No shelf
- Not drilled for adjustable shelf

| |
|-----|
| AH |
| CFO |
| FE |
| RD |
| RTK |

VB2434H BUTT
VB2734H BUTT
VB3034H BUTT
VB3334H BUTT
VB3634H BUTT

Vanity Full-Height Base • 1 Door

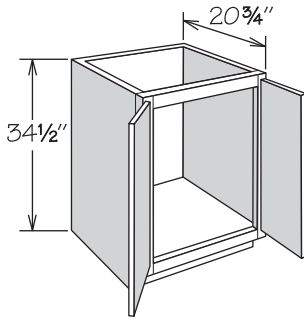


- Full-height door
- No shelf
- Not drilled for adjustable shelf
- Door is hinged left and can be reversed in the field

| |
|-----|
| AH |
| CFO |
| FE |
| RD |
| RTK |

VB1234H FH
 VB1534H FH
 VB1834H FH
 VB2134H FH

Vanity Full-Height Base • 2 Butt Doors

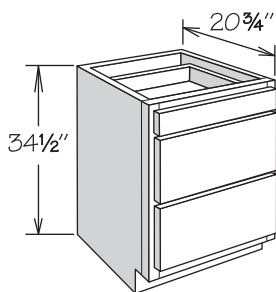


- Full-height doors
- No shelf
- Not drilled for adjustable shelf

| |
|-----|
| AH |
| CFO |
| FE |
| RD |
| RTK |

VB2434H BUTT FH
 VB3034H BUTT FH
 VB3634H BUTT FH

Vanity Drawer Base • 3 Drawers

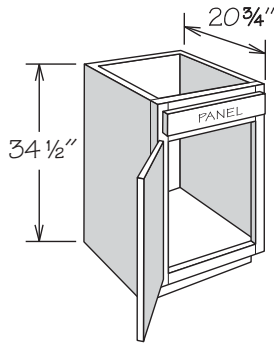


- One standard and two large drawers

| |
|-----|
| AH |
| CFO |
| FE |
| RD |
| RTK |

VDB1234H
 VDB1534H
 VDB1834H
 VDB2134H
 VDB2434H

Vanity Sink Base • 1 Door

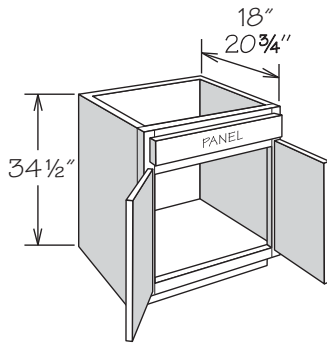


- No shelf
- Subtract 1/2" from depth and width for available sink bowl opening
- Door is hinged left and can be reversed in the field

| |
|-----|
| AH |
| CFO |
| FE |
| RD |
| RTK |

VSB1534H
VSB1834H
VSB2134H

Vanity Sink Base • 2 Butt Doors



- No shelf
- Subtract 1/2" from depth and width for available sink bowl opening

| |
|-----|
| AH |
| CFO |
| FE |
| RD |
| RTK |

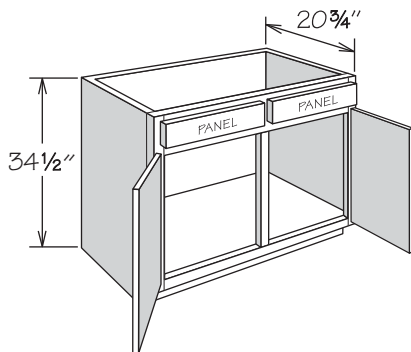
20 3/4" DEEP

VSB2434H BUTT
VSB2734H BUTT
VSB3034H BUTT
VSB3334H BUTT
VSB3634H BUTT

18" DEEP

VSB241834H BUTT
VSB301834H BUTT
VSB361834H BUTT

Vanity Sink Base • 2 Doors

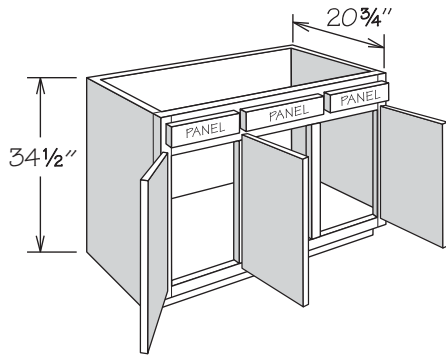


- No shelf
- Subtract 1/2" from depth and width for available sink bowl opening

| |
|-----|
| AH |
| CFO |
| FE |
| RD |
| RTK |

VSB3934H
VSB4234H

Vanity Sink Base • 3 Doors

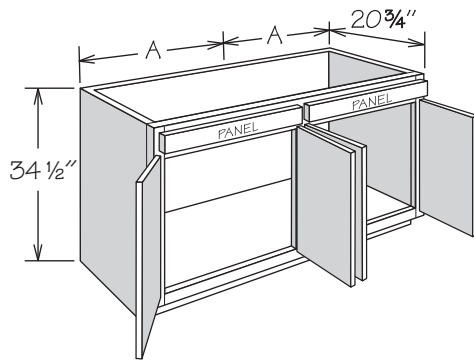


- No shelf
- Subtract 1/2" from depth and width for available sink bowl opening
- Hinged as shown – can be reversed in the field

| |
|-----|
| AH |
| CFO |
| FE |
| RD |
| RTK |

VSB4834H

Vanity Sink Base • 4 Butt Doors



- No shelf
- Subtract 1/2" from depth and each dimension A for available sink bowl openings

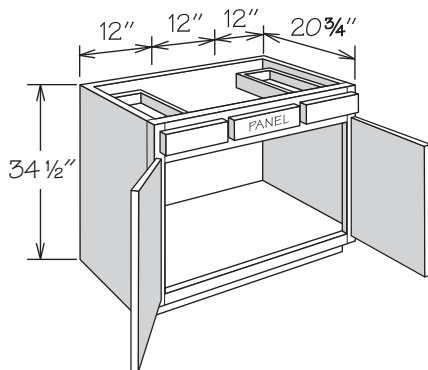
| |
|-----|
| AH |
| CFO |
| FE |
| RD |
| RTK |

A

VSB5434H BUTT
VSB6034H BUTT

27"
30"

Vanity Sink Base • 2 Butt Doors and 2 Drawers

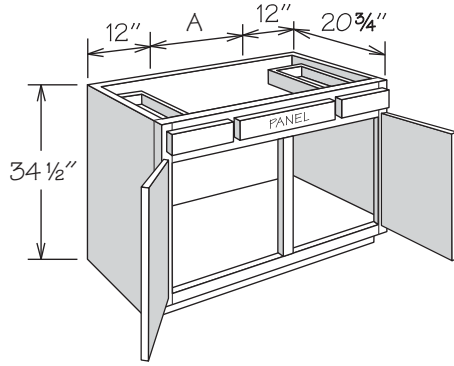


- No shelf
- Top drawer on each side of sink bowl opening
- Subtract 1/2" from depth for available sink bowl opening
- Features two DRB9_ to accommodate sink bowl opening up to 18"

| |
|-----|
| AH |
| CFO |
| FE |
| RD |
| RTK |

VAN3634H BUTT

Vanity Sink Base • 2 Doors and 2 Drawers

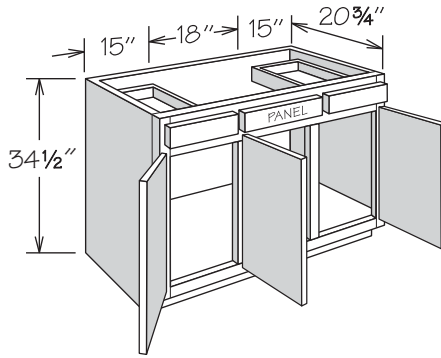


- No shelf
- Top drawer on each side of sink bowl opening
- Subtract 1/2" from depth for available sink bowl opening

| |
|-----|
| AH |
| CFO |
| FE |
| RD |
| RTK |

| | A | MAX. SINK OPENING |
|----------|-----|-------------------|
| VAN3934H | 15" | 18" |
| VAN4234H | 18" | 21" |

Vanity Sink Base • 3 Doors and 2 Drawers



- No shelf
- Top drawer on each side of sink bowl opening
- Subtract 1/2" from depth for available sink bowl opening
- Hinged as shown – can be reversed in the field
- Maximum sink bowl opening is 21" wide

| |
|-----|
| AH |
| CFO |
| FE |
| RD |
| RTK |

VAN4834H

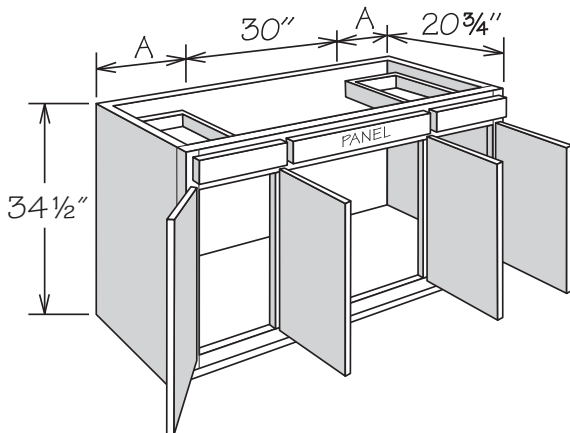
Vanity Sink Base • 4 Butt Doors and 2 Drawers

NEW!

UPDATE

NEW!

NOMENCLATURE



- **UPDATE!** Now features a solid back
- No shelf
- Top drawer on each side of sink bowl opening
- Subtract 1/2" from depth for available sink bowl opening
- Maximum sink bowl opening is 33" wide

| |
|-----|
| AH |
| CFO |
| FE |
| RD |
| RTK |

| | A |
|------------------|-----|
| VAN5434H BK BUTT | 12" |
| VAN6034H BK BUTT | 15" |

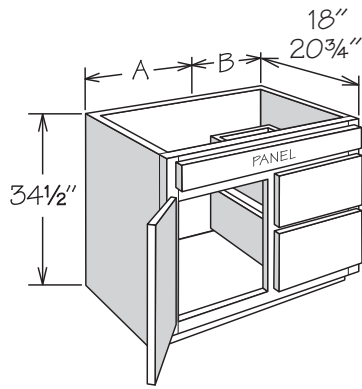
Vanity Combo Sink Base • 1 Door and 2 Drawers

NEW!

UPDATE

NEW!

NOMENCLATURE



- **UPDATE!** Now features a solid back
- No shelf
- Allow for plumbing placement to clear drawers
- Drawers available on right or left side (please specify)
- Cabinet shown is right indicating drawers on the right side of the cabinet
- Subtract 1 1/2" from depth and overall cabinet width for available sink bowl opening

| |
|-----|
| AH |
| CFO |
| FE |
| RD |
| RTK |

| 20 3/4" DEEP | 18" DEEP | A | B |
|--------------|----------------|-----|-----|
| VSDB2434H BK | VSDB241834H BK | 12" | 12" |
| VSDB2734H BK | VSDB271834H BK | 15" | 12" |
| VSDB3034H BK | VSDB301834H BK | 18" | 12" |
| VSDB3334H BK | VSDB331834H BK | 21" | 12" |
| VSDB3634H BK | VSDB361834H BK | 21" | 15" |

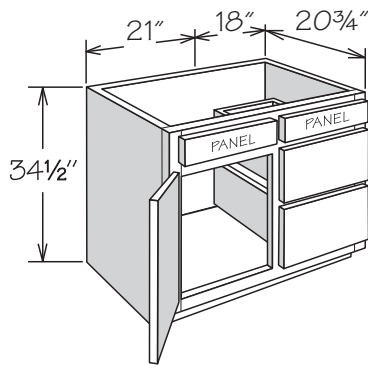
Vanity Combo Sink Base • 1 Door and 2 Drawers

NEW!

UPDATE

NEW!

NOMENCLATURE



- **UPDATE!** Now features a solid back
- No shelf
- Allow for plumbing placement to clear drawers
- Drawers available on right or left side (please specify)
- Cabinet shown is right indicating drawers on the right side of the cabinet
- Subtract 1 1/2" from depth and overall cabinet width for available sink bowl opening

| |
|-----|
| AH |
| CFO |
| FE |
| RD |
| RTK |

34 1/2" HIGH

VSDB3934H BK

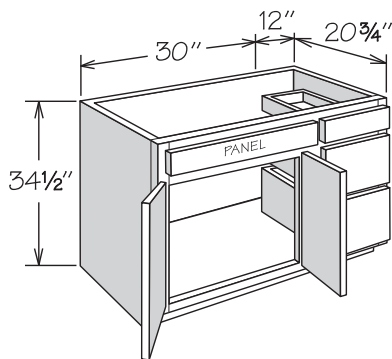
Vanity Combo Sink Base • 2 Butt Doors and 3 Drawers

NEW!

UPDATE

NEW!

NOMENCLATURE



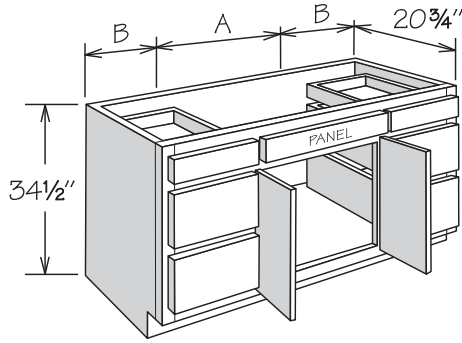
- **UPDATE!** Now features a solid back
- No shelf
- Drawers available on right or left side (please specify)
- Cabinet shown is right indicating drawers on the right side of the cabinet
- Maximum sink bowl opening is 28 1/2" wide
- Requires off center sink bowl opening

| |
|-----|
| AH |
| CFO |
| FE |
| RD |
| RTK |

VSDB4234H BK BUTT

Vanity Combo Sink Base • 2 Butt Doors and 6 Drawers

NEW! **UPDATE** **NEW!** **NOMENCLATURE**



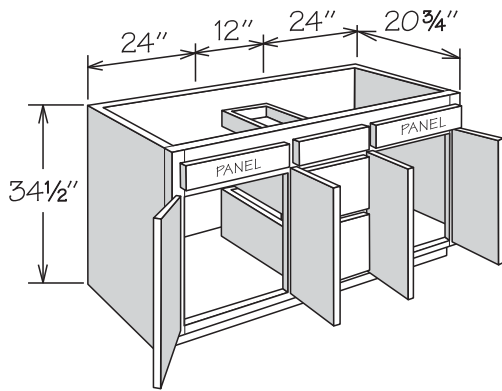
- **UPDATE!** Now features a solid back
- No shelf
- Subtract 1/2" from depth and dimension A for available sink bowl opening

| |
|------------|
| AH |
| CFO |
| FE |
| RD |
| RTK |

| | A | B |
|--------------------|----------|----------|
| VSDB4834HD BK BUTT | 24" | 12" |
| VSDB5434HD BK BUTT | 24" | 15" |
| VSDB6034HD BK BUTT | 30" | 15" |

Vanity Combo Sink Base • 4 Butt Doors and 3 Drawers

NEW! **UPDATE** **NEW!** **NOMENCLATURE**



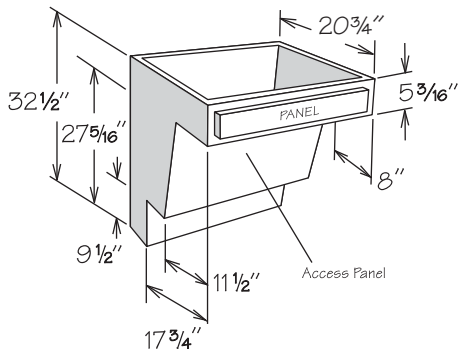
- **UPDATE!** Now features a solid back
- No shelf
- Subtract 1/2" from depth and each 24" dimension for available sink bowl openings

| |
|------------|
| AH |
| CFO |
| FE |
| RD |
| RTK |

VSDB6034HC BK BUTT

Vanity Sink Base • Vanity Plumbing Skirt

NEW! **PRODUCT**



- Features kneehole drawer front - refer to door style section
- **essential** and **select** construction packages feature plywood sides
- Removable front access panel
- Subtract 1/2" from width and depth for available sink bowl opening
- Maximum available height inside cabinet for sink bowl is 5"
- Water lines, drains, and P-Trap must be installed at 6" maximum from wall
- Refer to sink manufacturer's specifications for adequate clearance and required installation materials
- Matching toe kick included
- Must be installed between two cabinets or a cabinet and a wall
- May be used with Vanity Adaptable Sink Base Kit (ASB) - Ordered separately

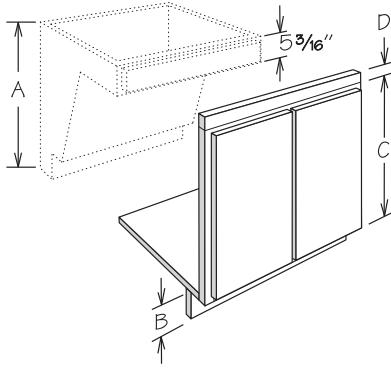
| |
|-----------|
| FE |
|-----------|

32 1/2" HIGH

VPS30 UD
VPS36 UD

Vanity • Adaptable Sink Base

NEW! PRODUCT

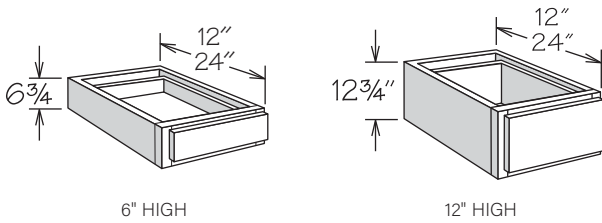


- For use with Vanity Plumbing Skirt (VPS) - MUST be ordered separately
- Kit contains:
 - » Face frame with hinged butt doors
 - » One Tall Filler (S3S396)
 - » Two Drawer Fasteners (DDF FASTENER)
 - » One Sink Floor (FL36)
 - » One Hardwood Cleat (HWC 2X4X96)
 - » Installation instructions
- Kit must be assembled in the field

| A VPS | B DESIRED TOE KICK HEIGHT | C FACE FRAME HEIGHT | D S3S TRIMMED | KIT |
|----------|---------------------------------|---------------------------|---------------------|------------|
| 32 1/2" | 2" | 24 1/2" | 13/16" | ASB_34 KIT |
| 32 1/2" | 4" | 20 5/8" | 2 11/16" | ASB_32 KIT |

| 20 5/8" Frame | 24 1/2" Frame |
|---------------|---------------|
| ASB3032 KIT | ASB3034 KIT |
| ASB3632 KIT | ASB3634 KIT |

Furniture Drawer Cabinet • 1 Drawer



- 6" high features one standard drawer and 12" high features one large drawer
- 24" deep Furniture Drawer cabinets are only available with RD-23 through RD-13
- Bottom of cabinet frame must be fully supported

| |
|-------------|
| CFO |
| FE |
| RD ■ |

6" HIGH • 1 DRAWER

12" Deep

- FD121206
- FD151206
- FD181206
- FD211206
- FD241206
- FD271206
- FD301206
- FD331206
- FD361206

24" Deep

- FD122406 ■
- FD152406 ■
- FD182406 ■
- FD212406 ■
- FD242406 ■
- FD272406 ■
- FD302406 ■
- FD332406 ■
- FD362406 ■

12" HIGH • 1 DRAWER

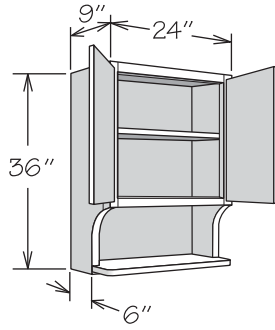
12" Deep

- FD121212
- FD151212
- FD181212
- FD211212
- FD241212
- FD271212
- FD301212
- FD331212
- FD361212

24" Deep

- FD122412 ■
- FD152412 ■
- FD182412 ■
- FD212412 ■
- FD242412 ■
- FD272412 ■
- FD302412 ■
- FD332412 ■
- FD362412 ■

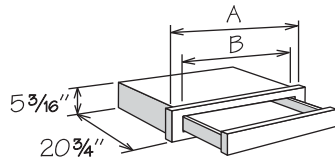
Valet Cabinet • 2 Butt Doors



- Matching interior standard
- Flush sides with no face frame or 1/4" reveals
- Bottom opening: 22 1/2" x 10 7/8"
- Features a fixed shelf
- Sides and bottom shelf feature 3/4" engineered wood veneered on both sides for all construction packages

VC2436 BUTT

Kneehole Drawer Cabinet

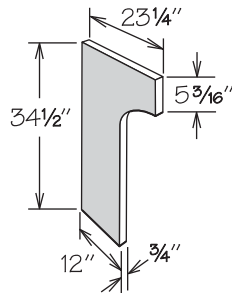


- Designed for desk or vanity application
- Field trimmable in height to 4 3/4"
- Field trimmable in depth to 18" or available with RD-20 through RD-12
- Drawer front complements door style - refer to door style section

RD

| | A | B | MAX. TRIM |
|----------|-----|---------|------------------------|
| KDC27/21 | 27" | 17 3/4" | 21" (3" each side) |
| KDC33/27 | 33" | 23 3/4" | 27" (3" each side) |
| KDC36/33 | 36" | 29 3/4" | 33" (1 1/2" each side) |

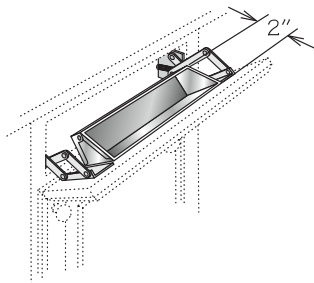
Desk End Panel



- All construction packages feature 3/4" veneered engineered wood finished to match cabinet box exterior on both sides
- Recommend QM8 be ordered for installation to ensure proper attachment to wall
- Field trimmable
- Edge banded on front

DEP

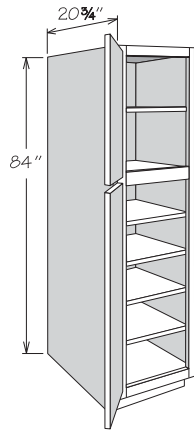
Tilt-Out Tray Kit



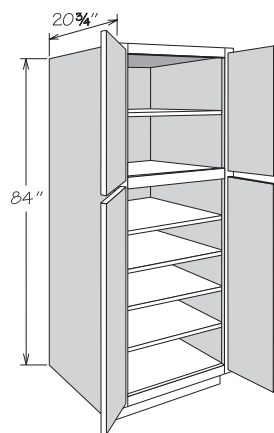
- Field installation accessory
- Kit features tray and one pair of scissor hinges
- For use on existing drawer panels for 20 3/4" or 18" deep vanity cabinets
- STO TRAY 11:
 - » Order one unit for VSB1834H, VSB4834H (center only), VAN4834H or VSDB3034H
- STO TRAY 14:
 - » Order one unit for VSB2134H, VSB2434H, VSB2734H, VSDB243H, VSDB2734H, VSDB3934H, VSDB4834H or VSDB5434H
 - » Order two units for VSB4234H, VSB5434H or VSDB6034HC
- STO TRAY 22:
 - » Order one unit for VSB3034H, VSB3334H, VSB3634H, VAN5434H, VAN6034H, VSDB3034H, VSDB3334H, VSDB3634H, VSDB4234H or VSDB6034HD
 - » Order two units for VSB6034H
- Tilt-Out Trays are NOT dishwasher safe

STO TRAY 11
STO TRAY 14
STO TRAY 22

Vanity Linen Cabinet • Adjustable Shelves



2 DOOR



4 BUTT DOORS

- Features one full-depth adjustable shelf in top section and four full-depth adjustable shelves in lower section
- Full-depth adjustable shelves are 3/4" engineered wood and edge banded on front edge only
- All shelving packaged separately
- Two door cabinets must be ordered hinged left or right
- Specialty Door cabinets (SD) feature Matching Interior standard and require a specialty door selection
- Bottom doors have a center rail for select door styles - refer to door style section

| |
|------|
| FE |
| MI ■ |
| RD |

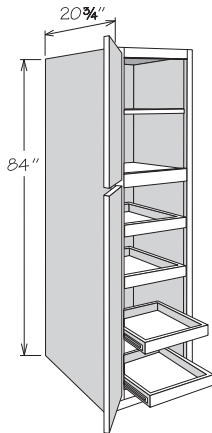
2 DOORS

VLC152184 AS ■
 VLC182184 AS ■
 VLC152184 AS SD
 VLC182184 AS SD

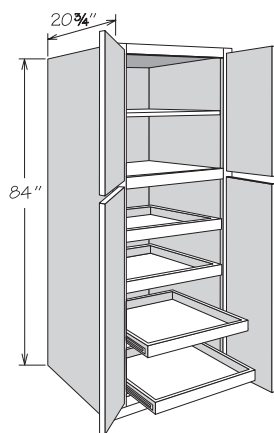
4 BUTT DOORS

VLC242184 AS BUTT ■
 VLC242184 AS BUTT SD

Vanity Linen Cabinet • Deep Roll Out Trays



2 DOOR



4 BUTT DOORS

- Features one full-depth adjustable shelf in top section and four Deep Roll Out Trays in lower section
- Adjustable shelf and Deep Roll Out Trays packaged separately
- Two door cabinets must be ordered hinged left or right
- Specialty Door cabinets (SD) feature Matching Interior standard and require a specialty door selection
- Bottom doors have a center rail for select door styles - refer to door style section

| |
|------|
| FE |
| MI ■ |
| RD |

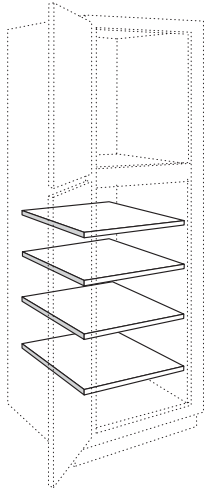
2 DOORS

VLC152184 4ROT ■
 VLC182184 4ROT ■
 VLC152184 4ROT SD
 VLC182184 4ROT SD

4 BUTT DOORS

VLC242184 4ROT BUTT ■
 VLC242184 4ROT BUTT SD

Vanity Linen Cabinet • Adjustable Shelves



- Field installation accessory
- ¾" engineered wood for all construction packages
- Edge banded on front edge only
- CLIP LOCK shelf rests included

| |
|-----------|
| MI |
| RD |

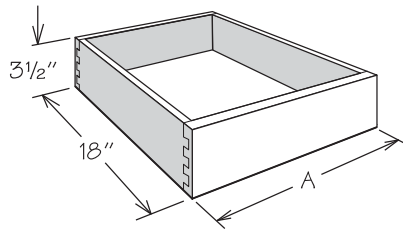
ADJUSTABLE SHELF

S1221
S1521
S1821
S2421

4 PACK SHELF KIT

SK1221
SK1521
SK1821
SK2421

Vanity Linen Cabinet • Deep Roll Out Trays



- Field installation accessory
- Natural finish dovetail drawer with engineered wood bottom for all construction packages
- Includes tray, all glide hardware and installation instructions

| |
|-----------|
| RD |
|-----------|

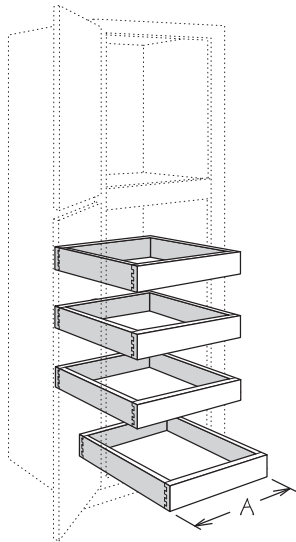
SINGLE DEEP ROLL OUT TRAY KIT

DROT1521
DROT1821
DROT2421

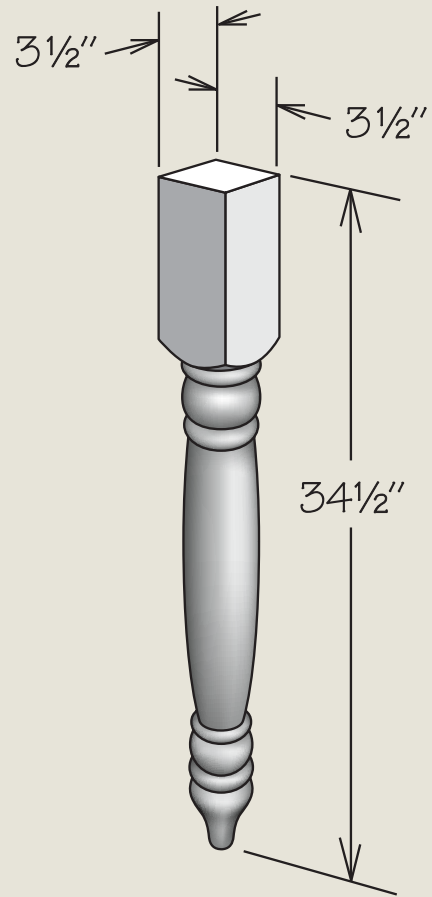
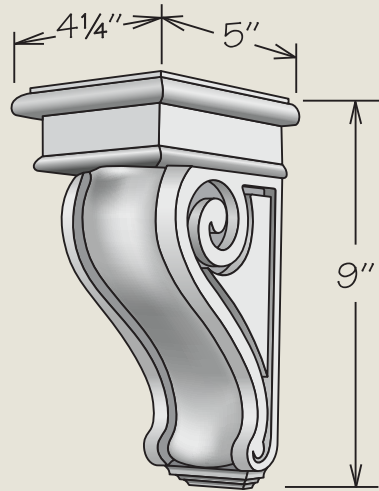
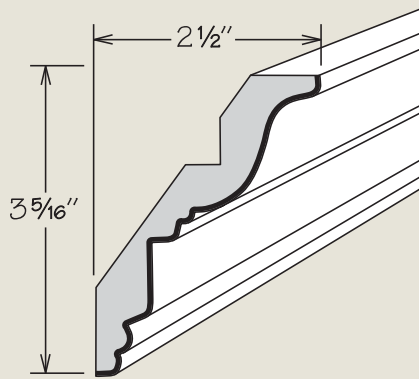
4 PACK DEEP ROLL OUT TRAY KIT

DROT1521-4K
DROT1821-4K
DROT2421-4K

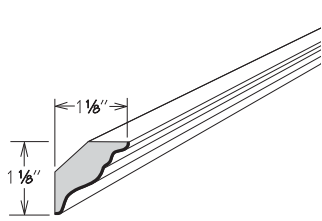
A
10¾"
13¾"
19¾"



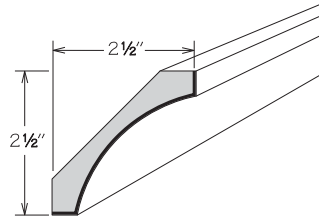
Molding & Decorative Accents



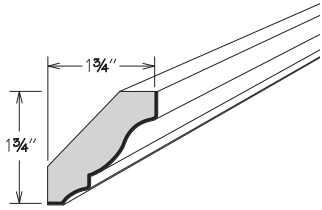
Crown Molding



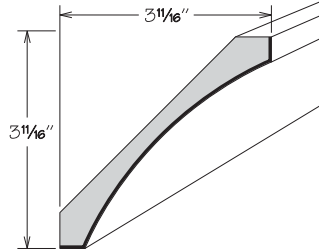
SOFFIT



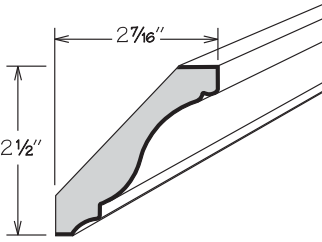
SMALL COVE



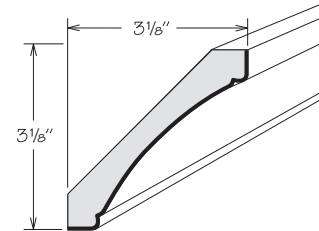
CROWN



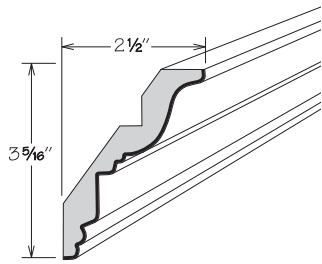
LARGE COVE



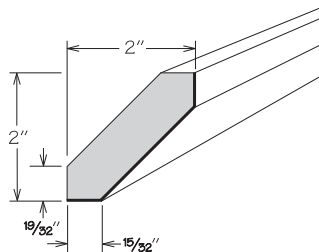
LARGE CROWN



DECORATIVE COVE



TRADITIONAL CLASSIC



ANGLE

- 94" long
- Features solid wood finished to match cabinet box exterior - CM8, DCVM8, LCM8, SCM8 and TCCM8 will be glazed (when applicable)
- TCCM8 may use OGE8, SBIM8, or SIM8 as accent
- Bold line indicates finished surfaces

SOFFIT

SCM8

SMALL COVE

SCVM8

CROWN

CM8

LARGE COVE

LCVM8

LARGE CROWN

LCM8

DECORATIVE COVE

DCVM8

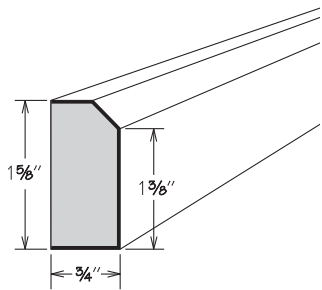
TRADITIONAL CLASSIC

TCCM8

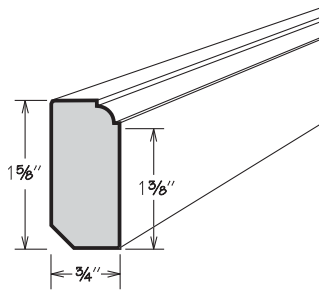
ANGLE

ACM8

Edge Molding



CONTEMPORARY TRIM



DECORATIVE TRIM

- 94" long
- Features solid wood finished to match cabinet box exterior - DTCM8 will be glazed (when applicable)
- Can be used as light rail molding (clearing may be required)
- Bold line indicates finished surfaces

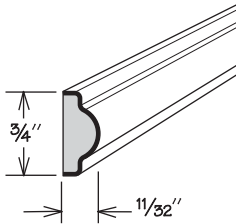
CONTEMPORARY TRIM

CTM8

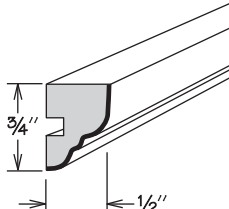
DECORATIVE TRIM

DCTM8

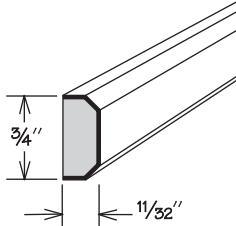
Inset Molding



SINGLE BEAD



OGEE



SHAKER

- 94" long
- Features solid wood finished to match cabinet box exterior - OGE8 and SBIM8 will be glazed (when applicable)
- May be used as accent on TCCM8 and ILR8
- Bold line indicates finished surfaces

SINGLE BEAD

SBIM8

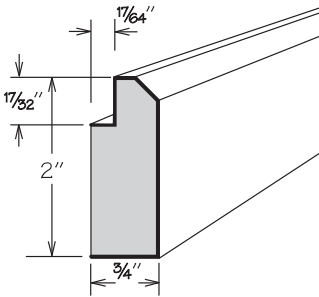
OGEE

OGE8

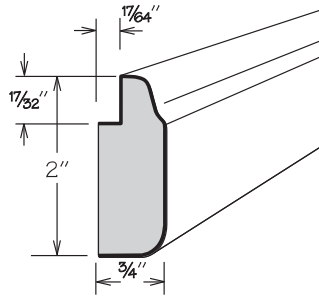
SHAKER

SIM8

Mirror Molding



SHAKER



MIRROR

- 94" long
- Features solid wood finished to match cabinet box exterior - MM8 will be glazed (when applicable)
- Bold line indicates finished surfaces - MM8 will be glazed (when applicable)

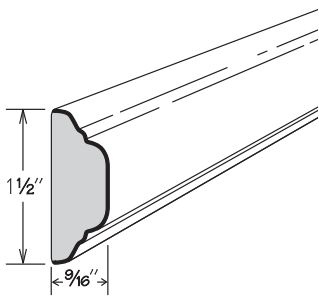
SHAKER

SMM8

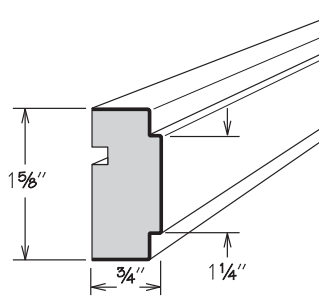
MIRROR

MM8

Chair Rail and Specialty Molding



CHAIR RAIL



SQUARE CHAIR RAIL

- 94" long
- Features solid wood finished to match cabinet box exterior - glazed door styles will be glazed
- May be used as vertical decorative molding (i.e. seams between bookshelves or in lieu of an overlay filler)
- LBM8 may be used as light rail molding (clearing required)
- Bold line indicates finished surfaces

CHAIR RAIL

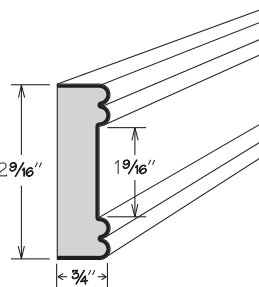
CR8

SQUARE CHAIR RAIL

SQCR8

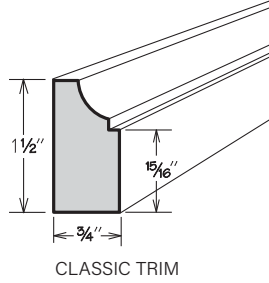
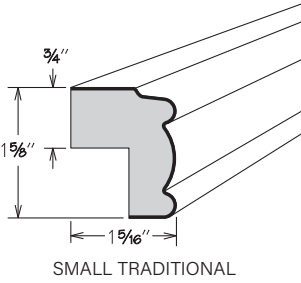
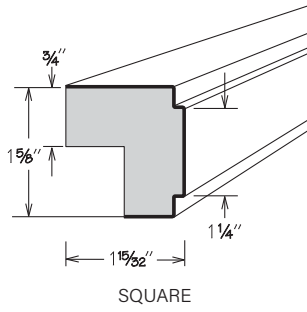
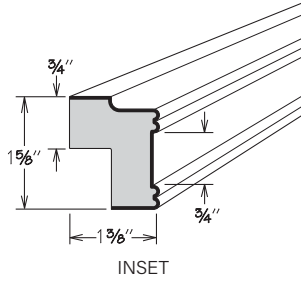
LIBRARY

LBM8



LIBRARY

Light Rail Molding



- 94" long
- Features solid wood finished to match cabinet box exterior - ILR8, STLR8 and SQLR8 will be glazed (when applicable)
- ILR8 and LBM8 may use SBIM8 or SIM8 as accent
- CLTM8 can be used as light rail or edge molding (cleating may be required when used as light rail)
- Bold line indicates finished surfaces

INSET

ILR8

SQUARE

SQLR8

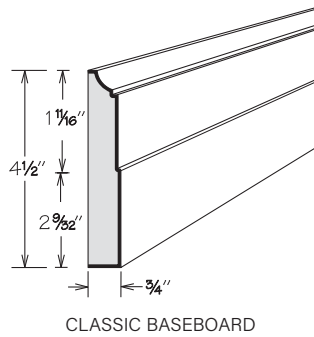
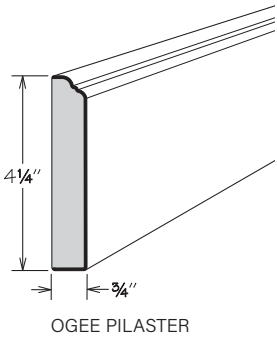
SMALL TRADITIONAL

STLR8

CLASSIC TRIM

CLTM8

Base Molding



- 94" long
- Features solid wood finished to match cabinet box exterior - glazed door styles will be glazed
- For use with furniture toe or top molding applications
- Bold line indicates finished surfaces

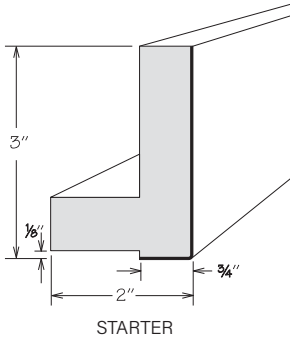
OGEE PILASTER

OGP8

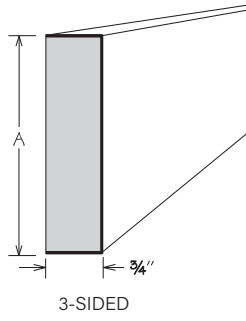
CLASSIC BASEBOARD

CLBM8

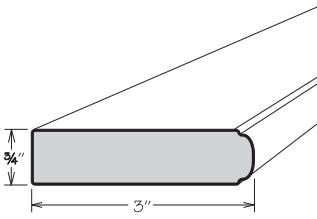
Molding Stock



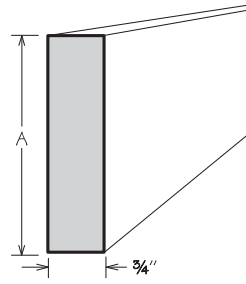
STARTER



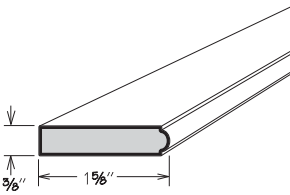
3-SIDED



SINGLE BEAD



4-SIDED

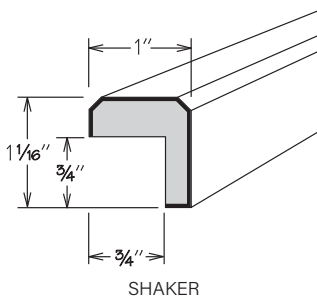


SMALL SINGLE BEAD

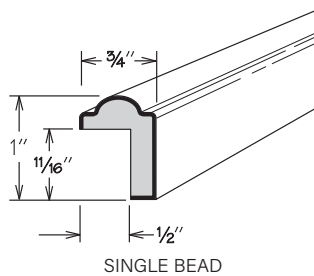
- Features solid wood finished to match cabinet box exterior - SBM8 and SSBM8 will be glazed (when applicable)
- 3-Sided and 4-Sided Stock may also be used in vertical applications (as a filler) or horizontal applications (as furniture toe)
- Bold line indicates finished surfaces

| | LENGTH | | LENGTH |
|--------------------------|--------|----------------|--------|
| STARTER | | 3-SIDED | |
| STRM8 | 94" | MSS3S394 | 94" |
| SINGLE BEAD | | MSS3S694 | 94" |
| SBM8 | 94" | 4-SIDED | |
| SMALL SINGLE BEAD | | S4S396 | 96" |
| SSBM8 | 94" | S4S696 | 96" |

Accent Molding



SHAKER

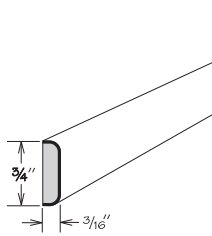


SINGLE BEAD

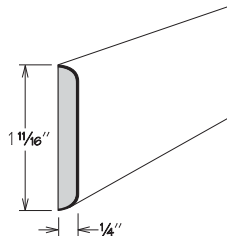
- 94" long
- Features solid wood finished to match cabinet box exterior - SBAM8 will be glazed (when applicable)
- May be used as accent on Wall China, Wine Storage and Base Microwave cabinets
- Bold line indicates finished surfaces

| | |
|---------------|--------------------|
| SHAKER | SINGLE BEAD |
| SAM8 | SBAM8 |

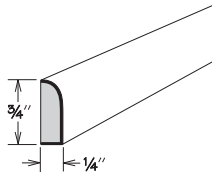
Trim Molding



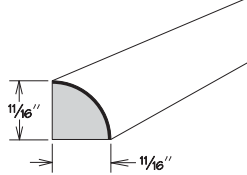
BATTEN



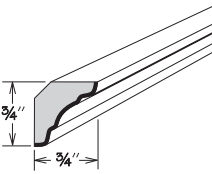
WIDE BATTEN



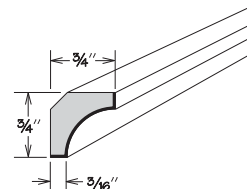
SCRIBE



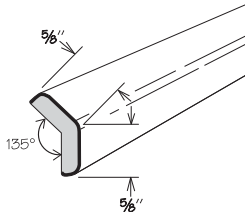
QUARTER ROUND



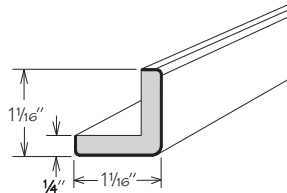
DECORATIVE INSIDE CORNER



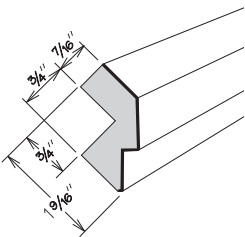
INSIDE CORNER



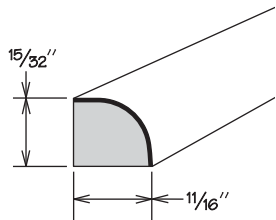
ANGLED OUTSIDE CORNER



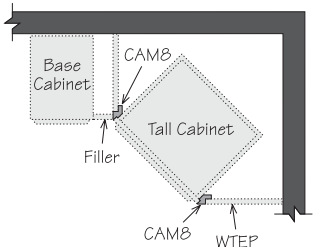
OUTSIDE CORNER



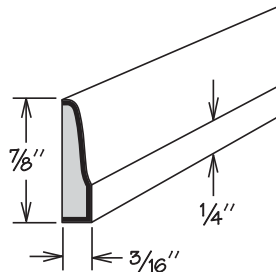
CABINET ANGLE



SHOE



Top View

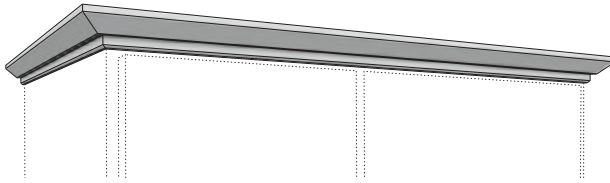
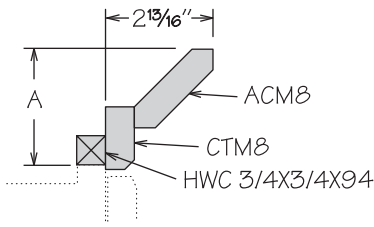


STRAIGHT TRIM MOLDING

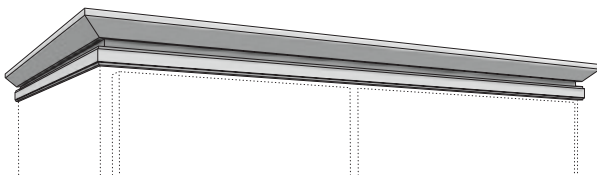
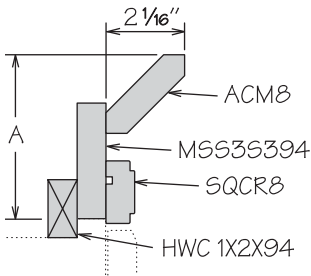
- Features solid wood finished to match cabinet box exterior - ICM8 will be glazed (when applicable)
- Cabinet Angle Molding (CAM8)
 - » Can be used in corner application to place cabinet at 45° angle
 - » Cannot be installed on cabinets with the Furniture Ends Option (FE)
- Bold line indicates finished surfaces

| | LENGTH | | LENGTH |
|---------------------------------|--------|------------------------------|--------|
| BATTEN | | WIDE BATTEN | |
| BM8 | 94" | WBM8 | 94" |
| SCRIBE | | QUARTER ROUND | |
| SM8 | 94" | QR8 | 94" |
| SM10 | 120" | | |
| DECORATIVE INSIDE CORNER | | INSIDE CORNER | |
| ICM8 | 94" | QM8 | 94" |
| ANGLED OUTSIDE CORNER | | OUTSIDE CORNER | |
| AOSC8 | 94" | OTCM8 | 94" |
| CABINET ANGLE | | SHOE | |
| CAM8 | 94" | SHM8 | 94" |
| | | STRAIGHT TRIM MOLDING | |
| | | UM8 | 94" |

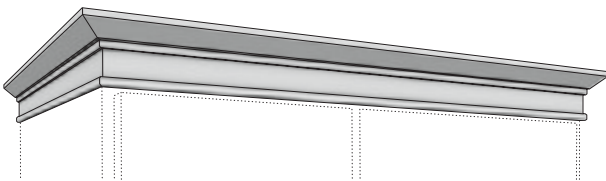
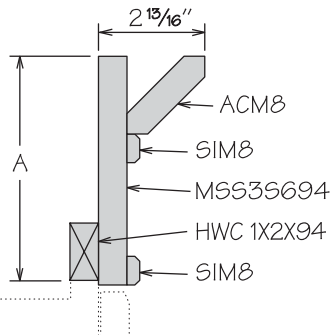
Molding Stack • Modern



MODERN 100



MODERN 200



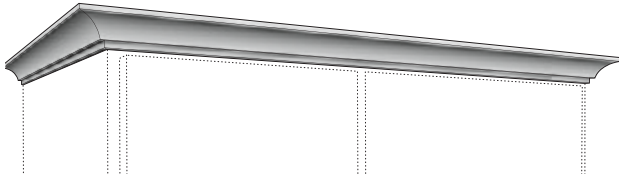
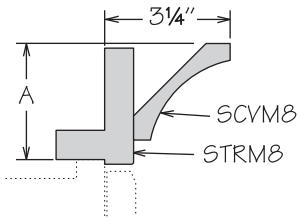
MODERN 300

- 94" long
- Features solid wood finished to match cabinet box exterior
- Height dimensions are above the face-frame height when used as shown
- Modern 100 pre-packaged molding kit includes:
 - » ACM8
 - » CTM8
 - » HWC 3/4X3/4X94
- Modern 200 pre-packaged molding kit includes:
 - » ACM8
 - » MSS3S394
 - » SQCR8
 - » HWC 1X2X94
- Modern 300 pre-packaged molding kit includes:
 - » ACM8
 - » SIM8 (2)
 - » MSS3S694
 - » HWC 1X2X94
- Molding Stacks shipped unassembled
- Molding Stacks to be cut, assembled and field installed at job site
- Only one finish can be specified per Molding Stack
- Molding Stack diagram included
- Refer to specifications on individual molding included in molding stack

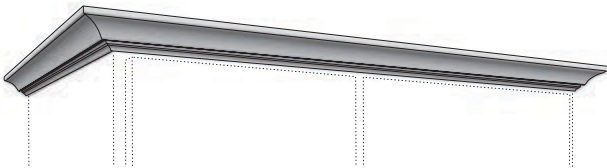
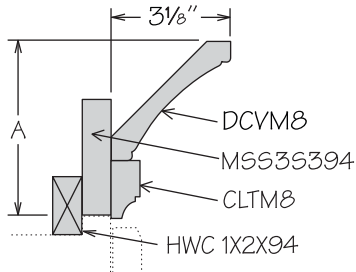
| MODERN | HEIGHT SHOWN | A MIN* | A MAX. |
|---------------|--------------|---------|--------|
| MS MODERN 100 | 3" | 2 3/16" | 3" |
| MS MODERN 200 | 4 1/4" | 3 9/16" | 4 1/2" |
| MS MODERN 300 | 5 7/8" | 5 1/8" | 7 3/8" |

* Without trimming in height

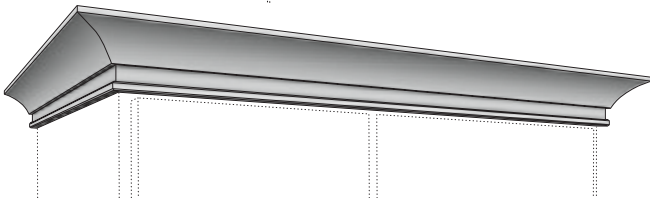
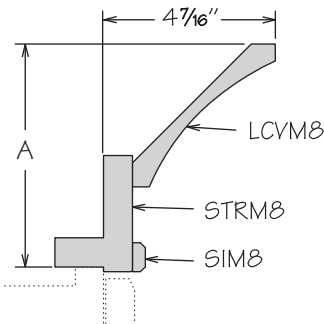
Molding Stack • Transitional



TRANSITIONAL 100



TRANSITIONAL 200



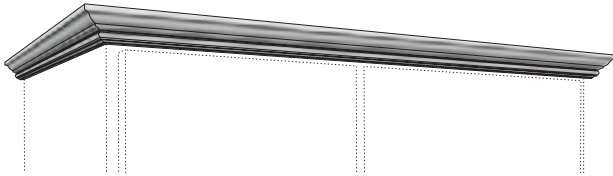
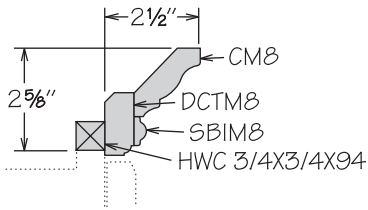
TRANSITIONAL 300

- 94" long
- Features solid wood finished to match cabinet box exterior
- Height dimensions are the above-face-frame height when used as shown
- Transitional 100 pre-packaged molding kit includes:
 - » SCVM8
 - » STRM8
- Transitional 200 pre-packaged molding kit includes:
 - » DCVM8
 - » MSS3S394
 - » CLTM8
 - » HWC 1X2X94
- Transitional 300 pre-packaged molding kit includes:
 - » LCVMB
 - » STRM8
 - » SIM8
- Molding Stacks shipped unassembled
- Molding Stacks to be cut, assembled and field installed at job site
- Only one finish can be specified per Molding Stack
- Molding Stack diagram included
- Refer to specifications on individual molding included in molding stack

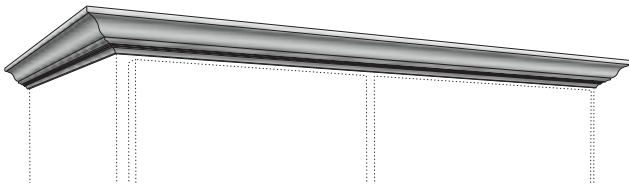
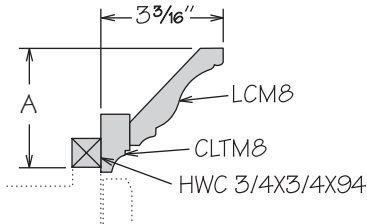
| TRANSITIONAL | HEIGHT SHOWN | A MIN.* | A MAX. |
|---------------------|--------------|---------|--------|
| MS TRANSITIONAL 100 | 3" | 2 7/8" | 4 3/4" |
| MS TRANSITIONAL 200 | 4 1/2" | 4 1/2" | 5 1/2" |
| MS TRANSITIONAL 300 | 5 3/4" | 4 5/16" | 5 5/8" |

* Without trimming in height

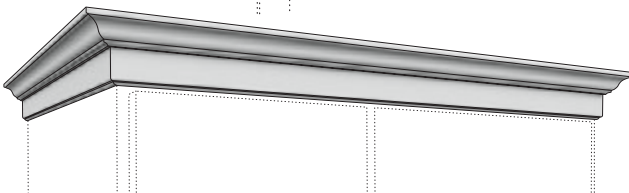
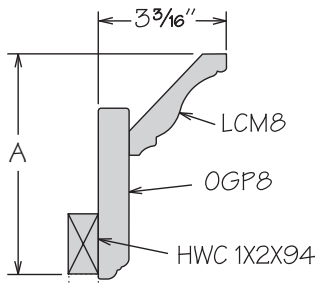
Molding Stack • Classic



CLASSIC 100



CLASSIC 200



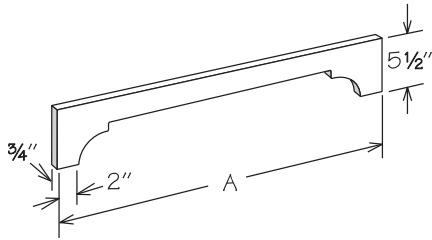
CLASSIC 300

- 94" long
- Features solid wood finished to match cabinet box exterior
- Height dimensions are the above-face-frame height when used as shown
- Classic 100 pre-packaged molding kit includes:
 - » CM8
 - » DCTM8
 - » SBIM8
 - » HWC 3/4X3/4X94
- Classic 200 pre-packaged molding kit includes:
 - » LCM8
 - » CLTM8
 - » HWC 3/4X3/4X94
- Classic 300 pre-packaged molding kit includes:
 - » LCM8
 - » OGP8
 - » HWC 1X2X94
- Molding Stacks shipped unassembled
- Molding Stacks to be cut, assembled and field installed at job site
- Only one finish can be specified per Molding Stack
- Molding Stack diagram included
- Refer to specifications on individual molding included in molding stack

| CLASSIC | HEIGHT SHOWN | A MIN.* | A MAX. |
|----------------|--------------|----------|---------|
| MS CLASSIC 100 | 2 5/8" | - | - |
| MS CLASSIC 200 | 3 1/16" | 2 15/16" | 3 5/16" |
| MS CLASSIC 300 | 5 1/2" | 4 1/8" | 6" |

* Without trimming in height

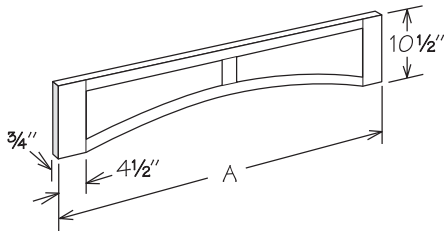
Crown Valance



- Field trimmable
- Features solid wood finished to match cabinet box exterior
- Dimension from height of arch to top of valance is 2 1/4"

| | A | MAX. TRIM (1 1/2" each end) |
|--------|----------|---------------------------------------|
| V30 CR | 30 1/4" | 27 1/4" |
| V36 CR | 36 1/4" | 33 1/4" |
| V42 CR | 42 1/4" | 39 1/4" |
| V48 CR | 48 1/4" | 45 1/4" |
| V60 CR | 60 1/4" | 57 1/4" |
| V72 CR | 72 1/4" | 69 1/4" |

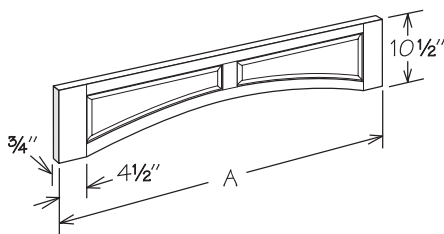
Flat Panel Arched Valance



- Field trimmable
- Features solid wood finished to match cabinet box exterior - glazed door styles will be glazed
- Dimension from height of arch to top of valance is 8 1/2"

| | A | MAX. TRIM (3" each end) | NUMBER OF PANELS |
|--------|----------|-----------------------------------|-------------------------|
| V36 FP | 36" | 30" | 2 |
| V42 FP | 42" | 36" | 2 |
| V48 FP | 48" | 42" | 2 |
| V54 FP | 54" | 48" | 3 |
| V60 FP | 60" | 54" | 3 |
| V66 FP | 66" | 60" | 3 |
| V72 FP | 72" | 66" | 3 |

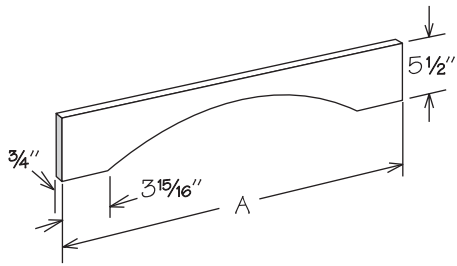
Raised Panel Arched Valance



- Field trimmable
- Features solid wood finished to match cabinet box exterior - glazed door styles will be glazed
- Dimension from height of arch to top of valance is 8 1/2"

| | A | MAX. TRIM (3" each end) | NUMBER OF PANELS |
|--------|----------|-----------------------------------|-------------------------|
| V36 RP | 36" | 30" | 2 |
| V42 RP | 42" | 36" | 2 |
| V48 RP | 48" | 42" | 2 |
| V54 RP | 54" | 48" | 3 |
| V60 RP | 60" | 54" | 3 |
| V66 RP | 66" | 60" | 3 |
| V72 RP | 72" | 66" | 3 |

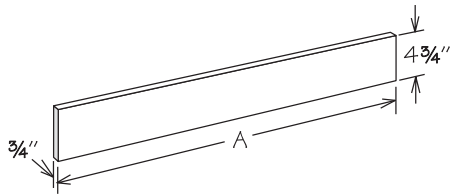
Shaker Valance



- Field trimmable
- Features solid wood finished to match cabinet box exterior
- Dimension from height of arch to top of valance is 2 1/4"

| | A | MAX. TRIM (3/8" each end) |
|--------|----------|-------------------------------------|
| V30 SH | 30 1/4" | 24" |
| V36 SH | 36 1/4" | 30" |
| V42 SH | 42 1/4" | 36" |
| V48 SH | 48 1/4" | 42" |
| V60 SH | 60 1/4" | 54" |
| V72 SH | 72 1/4" | 66" |

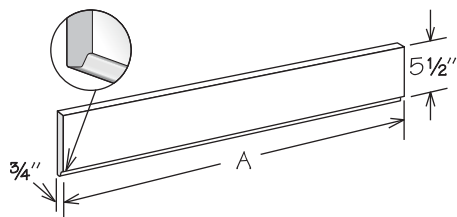
Straight Valance



- Field trimmable
- Features solid wood finished to match cabinet box exterior

| | A |
|-------|----------|
| V48 S | 48 1/4" |
| V72 S | 72 1/4" |

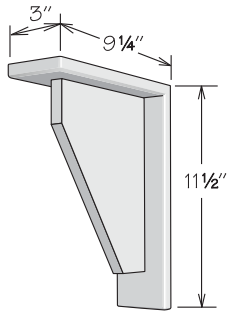
Traditional Valance



- Field trimmable
- Features solid wood finished to match cabinet box exterior - glazed door styles will be glazed

| | A |
|-------|----------|
| V36 T | 36 1/4" |
| V72 T | 72 1/4" |
| V96 T | 96 1/4" |

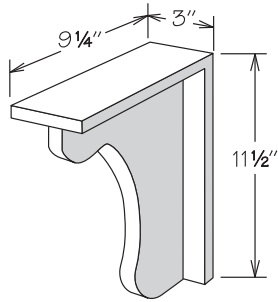
Angled Corbel



- Features 5/8" solid wood finished to match cabinet box exterior
- glazed door styles will be glazed
- For decorative use only

AS12

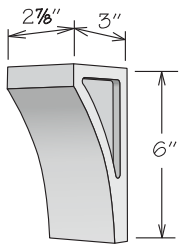
Curved Corbel



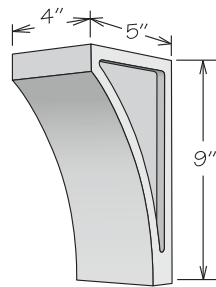
- Features 5/8" solid wood finished to match cabinet box exterior
- glazed door styles will be glazed
- For decorative use only

CS12

Cove Corbels



SMALL



MEDIUM

- Features solid wood finished to match cabinet box exterior -
glazed door styles will be glazed
- Recessed mounting clips included
- For decorative use only

SMALL

CC36

SMALL NARROW

CC26

MEDIUM

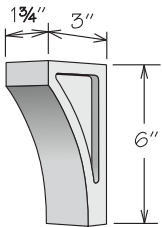
CC49

MEDIUM NARROW

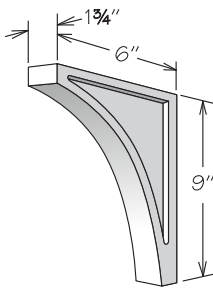
CC29

LARGE NARROW

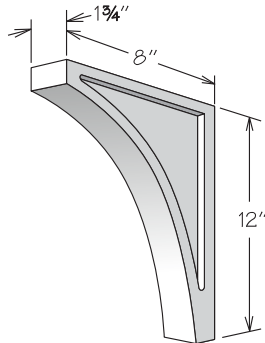
CC212



SMALL NARROW

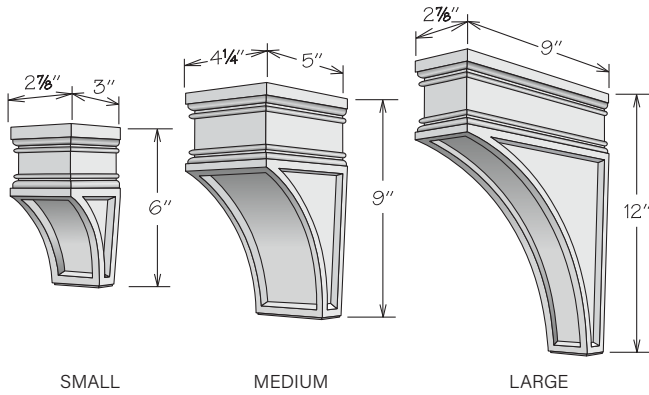


MEDIUM NARROW



LARGE NARROW

Valencia Corbels



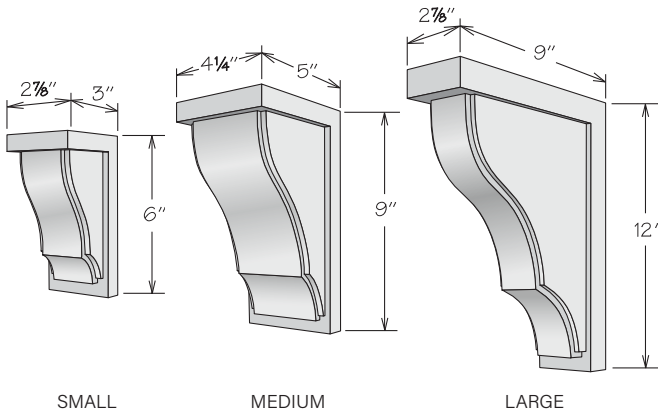
- Features solid wood finished to match cabinet box exterior - glazed door styles will be glazed
- Recessed mounting clips included
- For decorative use only

SMALL
VC36

LARGE
VC312

MEDIUM
VC49

Finley Corbels



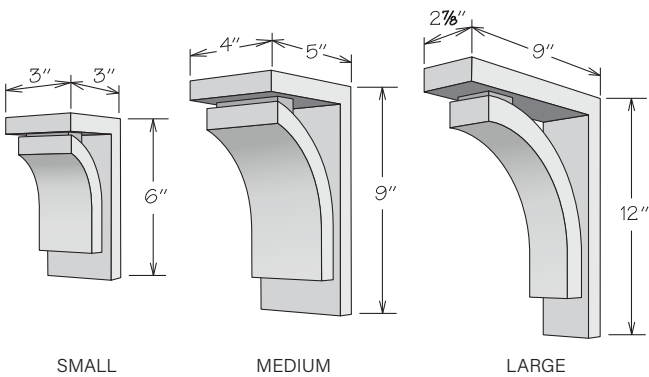
- Features solid wood finished to match cabinet box exterior - glazed door styles will be glazed
- Recessed mounting clips included
- For decorative use only

SMALL
FC36

LARGE
FC312

MEDIUM
FC49

Prairie Corbels



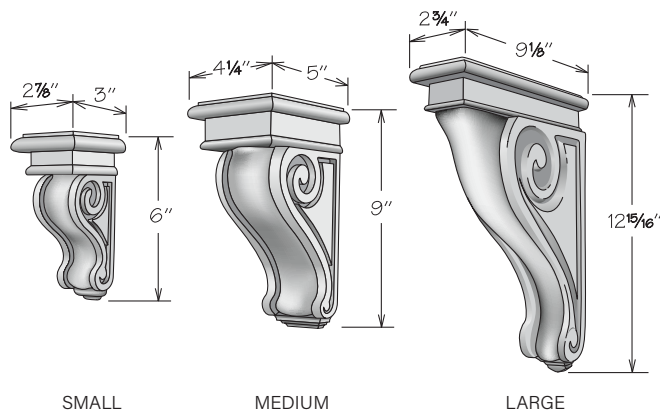
- Features solid wood finished to match cabinet box exterior
- Recessed mounting clips included
- For decorative use only

SMALL
PC36

LARGE
PC312

MEDIUM
PC49

Rosette Corbels



- Features solid wood finished to match cabinet box exterior - glazed door styles will be glazed
- Recessed mounting clips included
- For decorative use only

SMALL

RC36

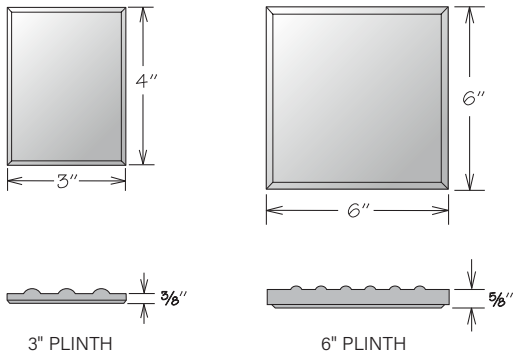
LARGE

RC313

MEDIUM

RC49

Fluted Plinth Blocks



- Features solid wood finished to match cabinet box exterior - glazed door styles will be glazed
- For use with Fluted Beaded Fillers

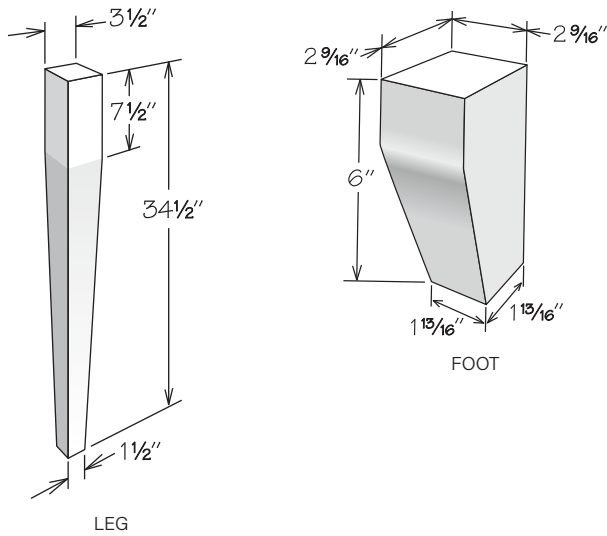
3" PLINTH

FB3X4 PLINTH

6" PLINTH

FB6X6 PLINTH

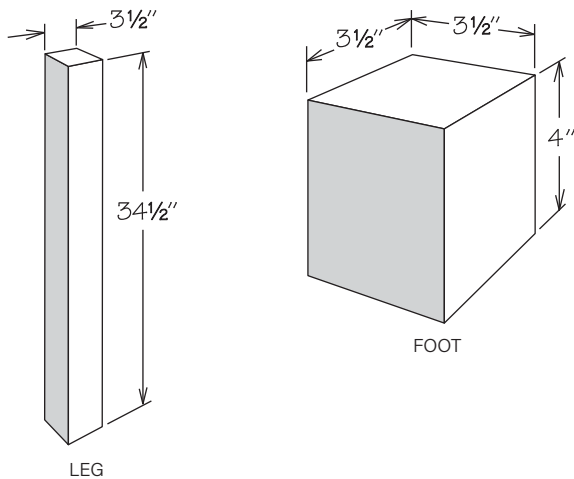
Base Tapered Leg and Foot



- Features solid wood finished to match cabinet box exterior
- Base Tapered Leg is tapered on all sides and is field trimmable
- Base Tapered Foot is tapered on two sides and is field trimmable to 4" high

| | |
|------------|-------------|
| LEG | FOOT |
| BTPL | TPF |

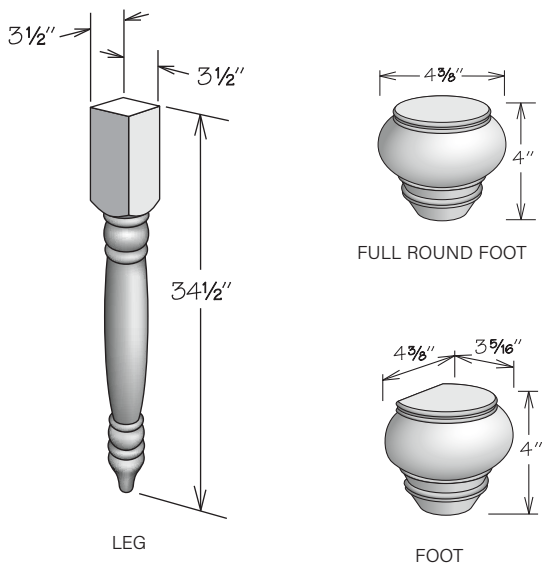
Base Square Leg and Foot



- Features solid wood finished to match cabinet box exterior
- Base Square Leg is field trimmable

| | |
|------------|-------------|
| LEG | FOOT |
| BSQL | BSQF |

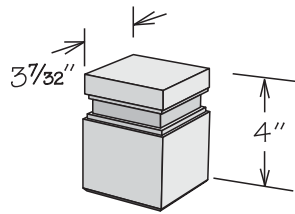
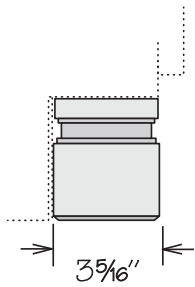
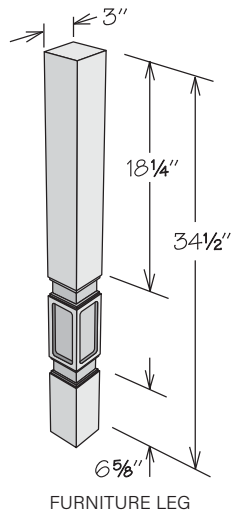
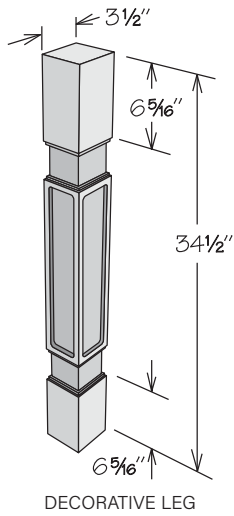
Base Turned Leg and Feet



- Features solid wood finished to match cabinet box exterior - glazed door styles will be glazed
- Base Turned Leg is field trimmable to 28 1/2" high

| | |
|-------------|------------------------|
| LEG | FULL ROUND FOOT |
| BTL | ATF-FR |
| FOOT | |
| ATF | |

Parker Legs and Foot



- Features solid wood finished to match cabinet box exterior - glazed door styles will be glazed
- Legs are field trimmable

DECORATIVE LEG

PDL

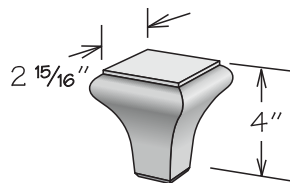
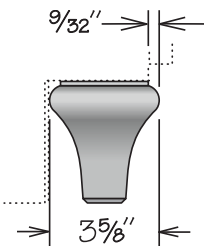
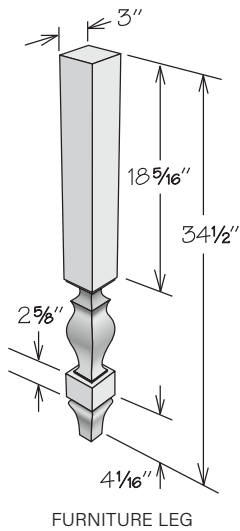
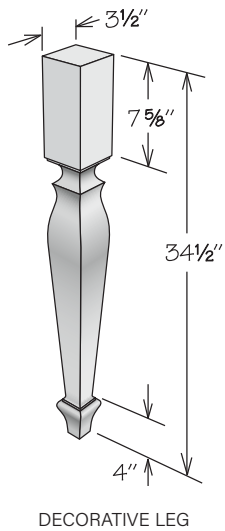
FURNITURE LEG

PFL

FOOT

PDF

Chantilly Legs and Foot



- Features solid wood finished to match cabinet box exterior - glazed door styles will be glazed
- Legs are field trimmable

DECORATIVE LEG

CDL

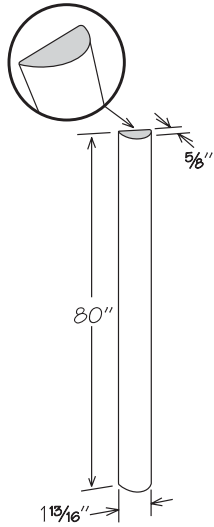
FURNITURE LEG

CFL

FOOT

CDF

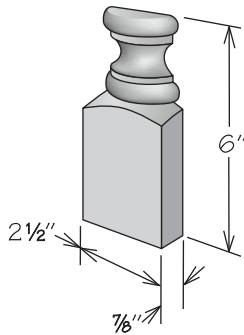
Split Post



- Features solid wood finished to match cabinet box exterior
- Field trimmable
- Use with Traditional Split Block to create design element
- Must be mounted to a Universal Filler (order separately)

SPLIT POST SPLT POST80 P

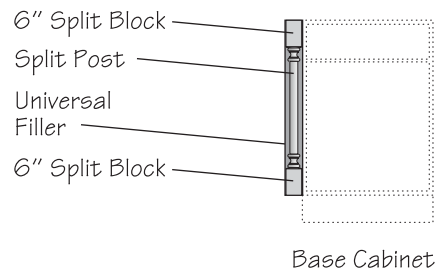
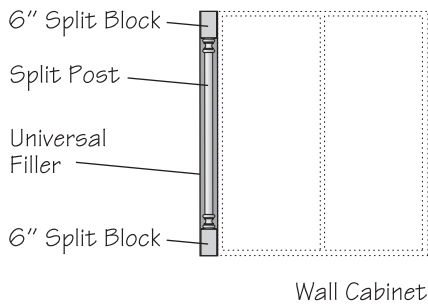
Traditional Split Block



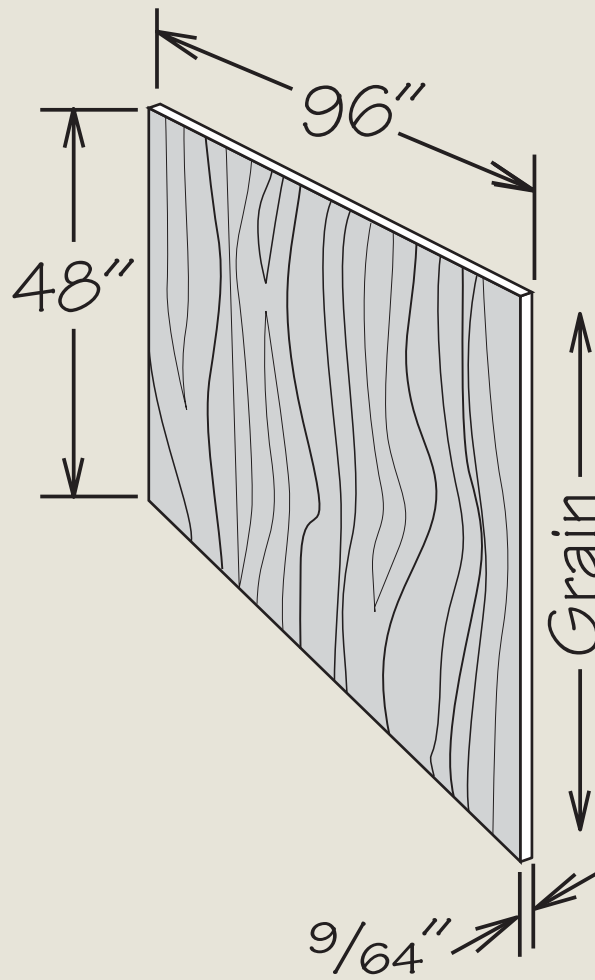
- Features solid wood finished to match cabinet box exterior - glazed door styles will be glazed
- For floor or wall application
- Use with Split Post to create design element
- Must be mounted to a Universal Filler (order separately)

SPLIT BLOCK SPLT BLOCK26 T

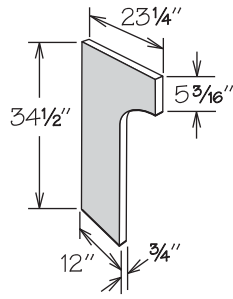
Suggested Design Applications



Panels, Fillers & Installation Items



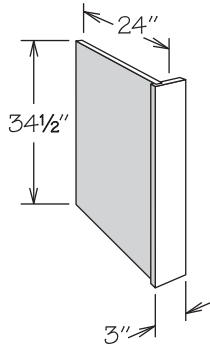
Desk End Panel



- All construction packages feature 3/4" engineered wood with both sides finished to match cabinet box exterior
- Recommend QM8 be ordered for installation to ensure proper attachment to wall
- Field trimmable
- Edge banded on front

DEP

Dishwasher Return

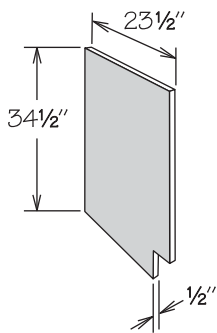


- **essential** and **select** feature 1/2" engineered wood with outside finished to match cabinet box exterior and inside with a natural woodgrain look
- **luxury** features 1/2" plywood with outside finished to match cabinet box exterior and inside with a natural woodgrain look
- Reversible for left or right installation
- Solid wood front for all construction packages
- Wall attachment block included
- Front filler can be trimmed to a minimum of 1" wide
- Can be notched for toe kick in the field

FE

DWR3

Sink/Vanity Front Return

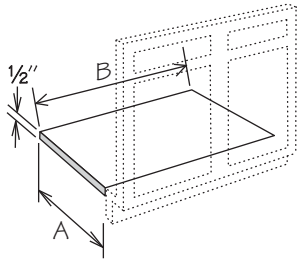


- **essential** and **select** feature 1/2" engineered wood with outside finished to match cabinet box exterior and inside with a natural woodgrain look
- **luxury** features 1/2" plywood with outside finished to match cabinet box exterior and inside with a natural woodgrain look
- Specify left or right
- Attaching blocks included
- SFR (R/L) with the Furniture Ends Option (FE) will include a rabbeted front edge
- Field trimmable

FE

SFRR
SFRL

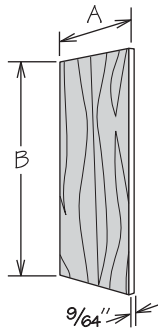
Sink/Vanity Front Floor



- All construction packages feature 1/2" engineered wood with one side finished with a natural woodgrain look
- 1/2" oversize in width
- FL36X36 to be used for CSF36 (field trim to fit)
- FL48X48 to be used for CSF42 (field trim to fit)
- Field trimmable

FL24
FL36
FL36X36
FL48
FL48X48
FL60
FL72

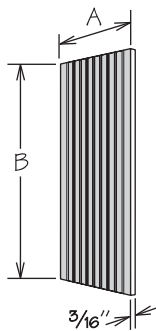
Paneling



- All construction packages feature 3/4" engineered wood with one side finished to match cabinet box exterior
- TEP120 will feature plywood with vertical grain - finished on one side to match cabinet box exterior for all construction packages
- Field trimmable, can be notched for toe kick

| WOOD | A | B |
|---------|---------|---------|
| WEP30 | 11 1/4" | 30 1/8" |
| WEP42 | 11 1/4" | 42 1/8" |
| WEP48 | 11 1/4" | 48" |
| WEP1542 | 14 1/4" | 42 1/8" |
| BEP34 | 23 1/4" | 34 1/2" |
| TEP84 | 23 1/4" | 84" |
| TEP96 | 23 1/4" | 96" |
| TEP120 | 23 1/4" | 120" |
| FP4834 | 48" | 34 1/2" |
| FP4896 | 48" | 96" |
| FP9634 | 96" | 34 1/2" |
| FP9648 | 96" | 48" |

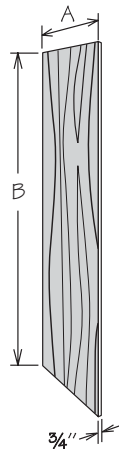
Grooved Paneling



- Grooved every 1 1/2" on one side
- All construction packages feature 3/16" plywood with one side finished to match cabinet box exterior - glazed door styles will be glazed
- FP9634 Grooved Paneling is shipped as two 48" wide x 34 1/2" high panels
- Field trimmable, can be notched for toe kick

| | A | B |
|-----------------|---------|---------|
| WEP30 GROOVED | 11 1/4" | 30 1/8" |
| WEP42 GROOVED | 11 1/4" | 42 1/8" |
| WEP48 GROOVED | 11 1/4" | 48" |
| WEP1542 GROOVED | 14 1/4" | 42 1/8" |
| BEP34 GROOVED | 23 1/4" | 34 1/2" |
| TEP84 GROOVED | 23 1/4" | 84" |
| TEP96 GROOVED | 23 1/4" | 96" |
| FP4834 GROOVED | 48" | 34 1/2" |
| FP4896 GROOVED | 48" | 96" |
| FP9634 GROOVED | 96" | 34 1/2" |

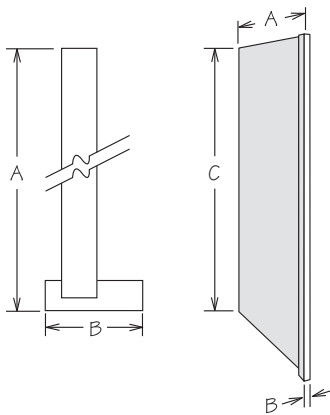
Wood End Panel



- All construction packages feature 3/4" engineered wood with one side finished to match cabinet box exterior
- Edge banded on both long edges
- Field trimmable, can be notched for toe kick

| WOOD | A | B |
|---------|-----|---------|
| WBEP | 24" | 34 1/2" |
| WTEP84 | 24" | 84" |
| WTEP96 | 24" | 96" |
| WTEP120 | 24" | 120" |
| DWTEP84 | 32" | 84" |
| DWTEP96 | 32" | 96" |

Refrigerator Return • 1/2" Panel

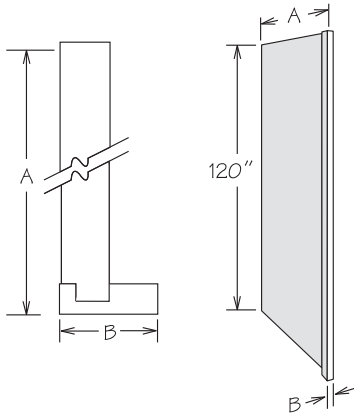


- **essential** and **select** feature 1/2" engineered wood with outside finished to match cabinet box exterior and inside with a natural woodgrain look
- **luxury** features 1/2" plywood with outside finished to match cabinet box exterior and inside with a natural woodgrain look
- Reversible for left or right installation
- Solid wood front for all construction packages
- Front filler can be trimmed to a minimum of 1" wide
- Field trimmable in height, can be notched for toe kick

| |
|------|
| FE |
| MI |
| RD ■ |

| | A | B | C |
|----------------|-----|--------|-----|
| RR84 | 24" | 1 5/8" | 84" |
| RR384 | 24" | 3" | 84" |
| RR96 | 24" | 1 5/8" | 96" |
| RR396 | 24" | 3" | 96" |
| RR84 X 32DP ■ | 32" | 1 5/8" | 84" |
| RR384 X 32DP ■ | 32" | 3" | 84" |
| RR96 X 32DP ■ | 32" | 1 5/8" | 96" |
| RR396 X 32DP ■ | 32" | 3" | 96" |

Refrigerator Return • 3/4" Panel

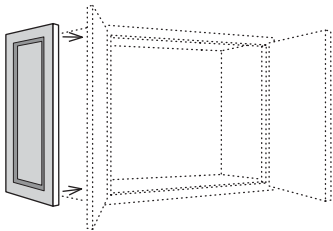


- **essential** and **select** feature 3/4" engineered wood with both sides finished to match cabinet box exterior
- **luxury** features 3/4" plywood with both sides finished to match cabinet box exterior
- Reversible for left or right installation
- Solid wood front for all construction packages
- Front filler can be trimmed to a minimum of 1" wide
- Field trimmable in height, can be notched for toe kick

RD ■

| | A | B |
|-------------------|-----|--------|
| RR120FL | 24" | 1 5/8" |
| RR3120FL | 24" | 3" |
| RR120FL X 32DP ■ | 32" | 1 5/8" |
| RR3120FL X 32DP ■ | 32" | 3" |

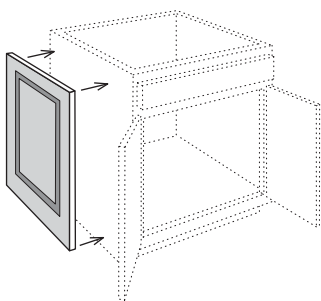
Decorator Matching Doors • Wall Cabinets



- Furniture Ends Option (FE) or WEP30/WEP42 panel is recommended for installation
- Attaches to side of wall cabinet
- Matches style and finish of cabinet doors
- Panel thickness is 3/4"
- Refer to Parts Directory for dimensions
- Not drilled for hinges

DMDW18
DMDW24
DMDW30
DMDW36
DMDW39
DMDW42

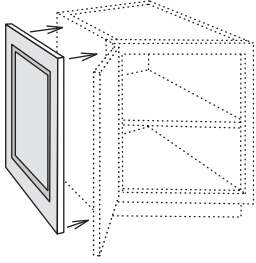
Decorator Matching Doors • Base Cabinets



- Furniture Ends Option (FE) or BEP34 panel is recommended for installation
- Attaches to side of 24" deep base cabinet
- Matches style and finish of cabinet doors
- Panel thickness is 3/4"
- Refer to Parts Directory for dimensions
- Not drilled for hinges

DMDB

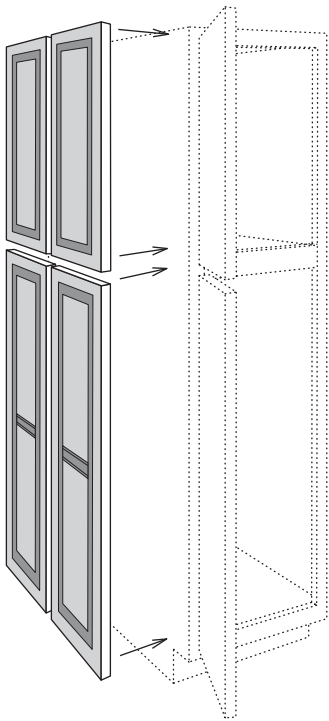
Decorator Matching Doors • Base End Angle Cabinets



- Furniture Ends Option (FE) or WEP42 panel is recommended for installation
- Attaches to side of BEA12 or BS2434
- Matches style and finish of cabinet doors
- Panel thickness is 3/4"
- Refer to Parts Directory for dimensions
- Not drilled for hinges

DMDBEA12

Decorator Matching Doors • Tall Cabinets

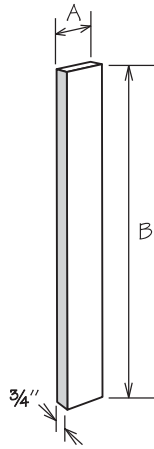


- Furniture Ends Option (FE) or TEP84/TEP96 panel is recommended for installation
- Attaches to side of utility or oven cabinet
- Matches style and finish of cabinet doors
- Panel thickness is 3/4"
- Features four doors
- Bottom doors have a center rail for select door styles - refer to door style section
- Refer to Parts Directory for dimensions
- Not drilled for hinges

24" DEEP

DMDT8424
DMDT9024
DMDT9324
DMDT9624

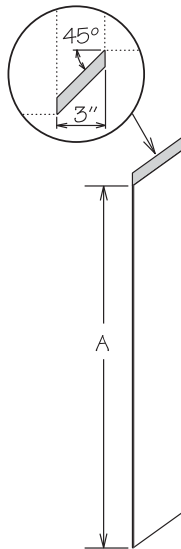
Universal Filler



- Features 3/4" solid wood for all construction packages
- UF_ finished on front and all four edges
- S3S_ finished on one side and all four edges
- Field trimmable

| WOOD | A | B |
|--------|----|---------|
| UF3 | 3" | 30 1/2" |
| UF6 | 6" | 30 1/2" |
| UF342 | 3" | 42 1/8" |
| UF642 | 6" | 42 1/8" |
| UF380 | 3" | 80" |
| UF680 | 6" | 80" |
| UF392 | 3" | 92" |
| UF692 | 6" | 92" |
| S3S396 | 3" | 96" |
| S3S696 | 6" | 96" |
| S4S396 | 3" | 96" |
| S4S696 | 6" | 96" |
| UF3120 | 3" | 120" |

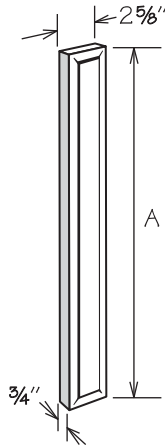
Universal Filler Extension



- Features 3/4" solid wood for all construction packages
- Finished on front and all four edges to match cabinet box exterior
- Field trimmable

| | A |
|---------|---------|
| UF E3 | 30 1/2" |
| UF E342 | 42 1/8" |

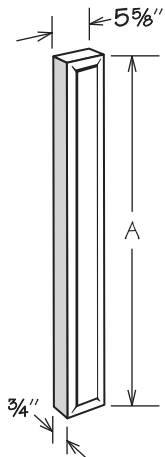
3" Overlay Filler



- Outside profile is a complementary match to the outside profile of door - see next page for details
- Features 3/4" solid wood for all construction packages
- All edges are finished to match cabinet box exterior - glazed door styles will be glazed, excluding slab overlay fillers
- Indicate door style when ordering
- Not field trimmable
- Must be mounted to a Universal Filler, BFP3 Base Filler Pull Out or Column Filler (order separately)

| WOOD | A |
|--------|----------|
| WOF312 | 11 9/16" |
| WOF315 | 14 9/16" |
| WOF318 | 17 9/16" |
| WOF321 | 20" |
| WOF324 | 23 7/8" |
| WOF327 | 26 1/2" |
| WOF330 | 29 1/2" |
| WOF336 | 35 1/2" |
| WOF339 | 38 1/2" |
| WOF342 | 41 1/2" |
| BOF3 | 29 7/8" |
| TOF384 | 79 3/8" |
| TOF390 | 85 3/8" |
| TOF393 | 88 3/8" |
| TOF396 | 91 3/8" |

6" Overlay Filler



- Outside profile is a complementary match to the outside profile of door - see next page for details
- Features 3/4" solid wood for all construction packages
- All edges are finished to match cabinet box exterior- glazed door styles will be glazed, excluding slab overlay fillers
- Indicate door style when ordering
- Not field trimmable
- Must be mounted to a Universal Filler or BFP6 Base Filler Pull Out (order separately)

| WOOD | A |
|------|---------|
| BOF6 | 29 7/8" |

Overlay Filler Profiles

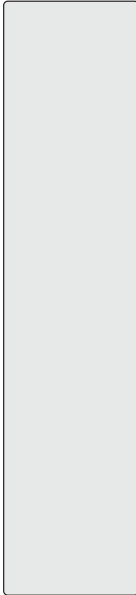
PROFILE FOR:

- PATTINGHAM
- TILSON

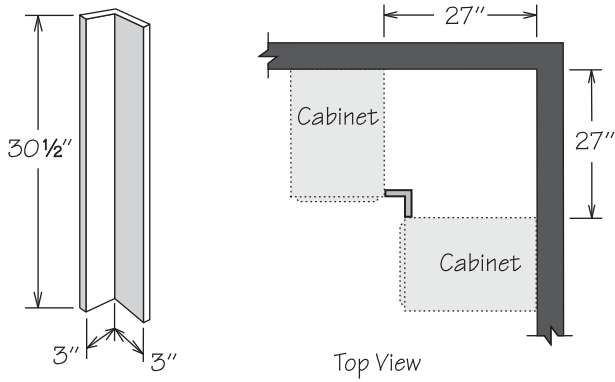


PROFILE FOR:

- AVELEY
- GALWAY
- HEATHROW
- INNSBROOK
- MCKELLER
- PORT
- STONEWALL



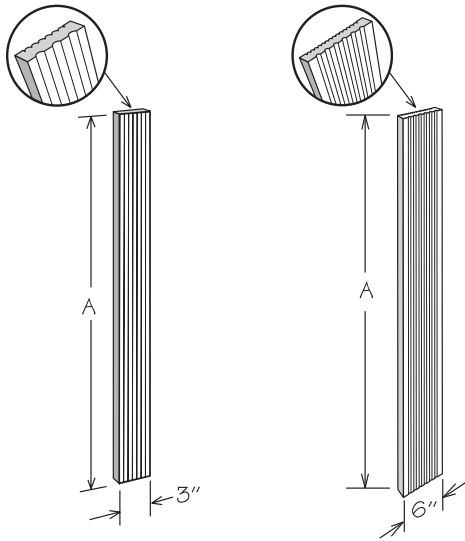
Base Corner Filler



- 3/4" solid wood for all construction packages
- Finished on front and all four edges to match cabinet box exterior
- Field trimmable

BCF27

Fluted Beaded Filler • Reversible



- Filler is fluted on one side and beaded on reverse side
- Finished on all sides to match cabinet box exterior - glazed door styles will be glazed
- 3/4" solid wood for all construction packages
- Apply decorative blocks for accent
- Field trimmable
- Ensure correct side is exposed when installed

3" WIDE

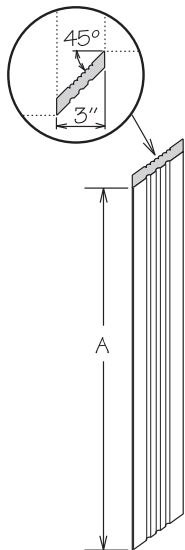
A

| | |
|--------|---------|
| FBF3 | 30 1/2" |
| FBF342 | 42 1/8" |
| FBF384 | 84" |
| FBF396 | 96" |

6" WIDE

| | |
|--------|---------|
| FBF6 | 30 1/2" |
| FBF642 | 42 1/8" |
| FBF684 | 84" |
| FBF696 | 96" |

Fluted Beaded Filler Extension • Reversible

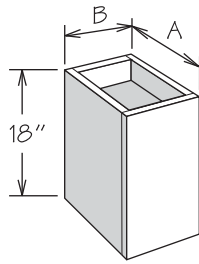


- For wall or base application
- Filler is fluted on one side and beaded on reverse side
- Finished all sides to match cabinet box exterior - glazed door styles will be glazed
- 3/4" solid wood for all construction packages
- Apply 3" wide decorative blocks for accent
- Field trimmable
- Ensure correct side is exposed when installed

A

| | |
|----------|---------|
| FBF E3 | 30 1/2" |
| FBF E342 | 42 1/8" |

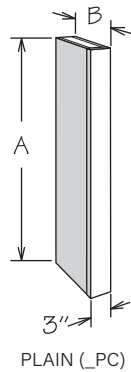
Plain Box Filler



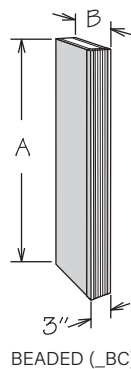
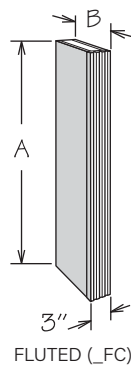
- Veneered engineered wood finished to match cabinet box exterior for all construction packages
- Features 1/4" reveal
- Trimmable in height to 14 1/8" tall
- Reversible for left or right installation

| | A | B |
|-----------|-----|-----|
| WPB91815 | 15" | 9" |
| WPB121815 | 15" | 12" |

Column Filler

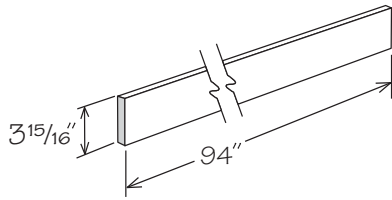


- Veneered engineered wood finished to match cabinet box exterior for all construction packages - glazed door styles will be glazed, excluding Plain Column Fillers
- 3" wide x 3/4" thick solid wood front
- Sides are flush with face
- Reversible for left or right installation
- Top and bottom edges of returns are edge banded
- Apply overlay filler or 3" wide decorative blocks for accent
- Field trimmable to any depth
- Field trimmable in height noted below:
 - » W_C31530 field trimmable to 27 1/8", 24 1/2", 20 5/8", 18 1/8", 15 1/8", or 12 1/8"
 - » W_C31542 field trimmable to 39 1/8" or 36 1/8"
 - » W_C31560 field trimmable to 54" or 48"
 - » B_C32734 field trimmable to 31 1/8" or 28 1/2"
 - » T_C32796 field trimmable to 93" or 90"
 - » T_C32784 not trimmable in height



| PLAIN | A | B |
|---------------|---------|-----|
| Wall | | |
| WPC31530 | 30 1/8" | 15" |
| WPC31542 | 42 1/8" | 15" |
| WPC31560 | 60" | 15" |
| Base | | |
| BPC32734 | 34 1/2" | 27" |
| Tall | | |
| TPC32784 | 84" | 27" |
| TPC32796 | 96" | 27" |
| FLUTED | | |
| Wall | | |
| WFC31530 | 30 1/8" | 15" |
| WFC31542 | 42 1/8" | 15" |
| WFC31560 | 60" | 15" |
| Base | | |
| BFC32734 | 34 1/2" | 27" |
| Tall | | |
| TFC32784 | 84" | 27" |
| TFC32796 | 96" | 27" |
| BEADED | | |
| Wall | | |
| WBC31530 | 30 1/8" | 15" |
| WBC31542 | 42 1/8" | 15" |
| WBC31560 | 60" | 15" |
| Base | | |
| BBC32734 | 34 1/2" | 27" |
| Tall | | |
| TBC32784 | 84" | 27" |
| TBC32796 | 96" | 27" |

Base Toe Kick



- Features engineered wood finished on one side to match cabinet box exterior
- Putty Stick and Touch Up Marker are recommended for exposed ends

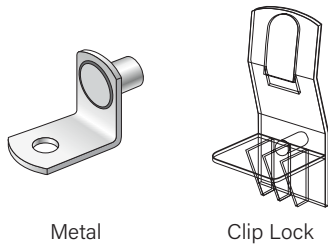
WOOD

BTK8

A

3 15/16"

Shelf Rests



Metal

Clip Lock

- Metal shelf rests are nickel plated steel
- Clip Lock shelf rests are molded clear high-strength polycarbonate

QTY.

Bookshelves & Wall Shelves

SHELF REST METAL 4PK

4

SHELF REST METAL 12

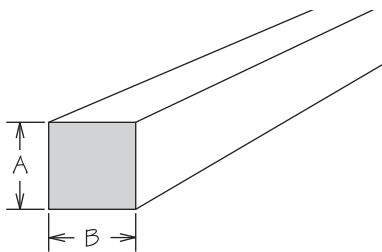
12

3/4" Base & Tall Shelves

CLIP LOCK SHELF 3/4 4 PK

4

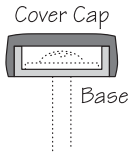
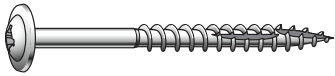
Cleat



- HWC 1/2X1/2X94 and HWC 3/4X3/4X94 are shipped in two 47" long pieces
- Unfinished

| | A | B | LENGTH |
|----------------|--------|--------|--------|
| HWC 1/2X1/2X94 | 1/2" | 1/2" | 94" |
| HWC 3/4X3/4X94 | 3/4" | 3/4" | 94" |
| HWC 1X2X94 | 3/4" | 1 1/2" | 94" |
| HWC 2X4X96 | 1 1/2" | 3 1/2" | 96" |

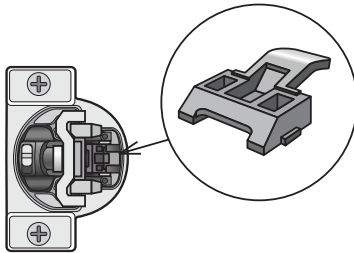
Screws & Screw Cover Caps



- Installation screws are Phillips panhead 2½" long
- COVER CAP ___ used to conceal head of installation screw
- COVER CAP 10MM ___ used to conceal predrilled holes in cabinet backs

| | QTY. |
|----------------------|-------------|
| SCREW INST 2.5 BX100 | 100 |
| COVER CAP TAN | 50 |
| COVER CAP WHT | 50 |
| COVER CAP 10MM TAN | 4 |
| COVER CAP 10MM WHT | 4 |

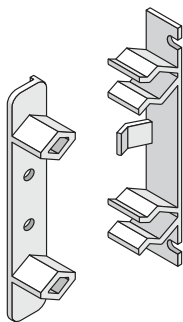
Hinge Restriction Clip



- Limits door opening to 86° to avoid contact with adjacent objects
- For use on soft-close hinges only
- Package includes 10 per bag (1 required per hinge)
- Cannot be used on cabinets with roll out accessories

HINGE CC ANG RES CLP

Dummy Drawer Front Fastener



- For installation of one dummy drawer front
- Kit contents:
 - » Two sets of DDF Fasteners
 - » Eight screws
 - » One instruction sheet
- Please refer to cabinet specifications as some cabinets will require more than one kit

DDF FASTENER

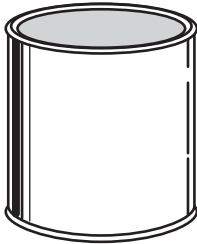
Spray Stain



- SPRAY STAIN TINTED available for all finishes
- SPRAY STAIN CLEAR for use as top coat
- Indicate door style when ordering
- 11 ounce aerosol spray can

SPRAY STAIN CLEAR
SPRAY STAIN TINTED

Stain

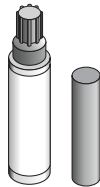


- STAIN PINT (QUART) for use on all door styles - indicate door style when ordering
- STAIN TOP COAT strongly recommended for application over ALL finishes (order separately)
- PINT covers approximately 40 square feet
- QUART covers approximately 80 square feet
- Instructions included

STAIN PINT
STAIN QUART
STAIN TOP COAT PINT
STAIN TOP COAT QUART

Putty Stick & Marker

NEW! NOMENCLATURE



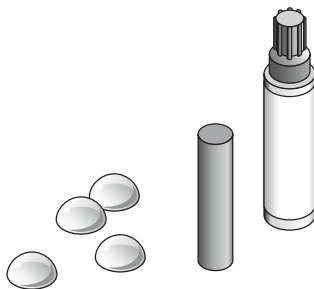
- Indicate door style when ordering
- Putty Sticks are recommended for filling minor dents, gouges and scratches made during or after installation
- Touch-Up Markers add color to minor surface scratches

PUTTY STICK
PUTTY STICK EXTERIOR
PUTTY STICK INTERIOR

TOUCH-UP MARKER
TOUCHUP MARKER EXTERIOR
TOUCHUP MARKER INTERIOR

Touch-Up Kit

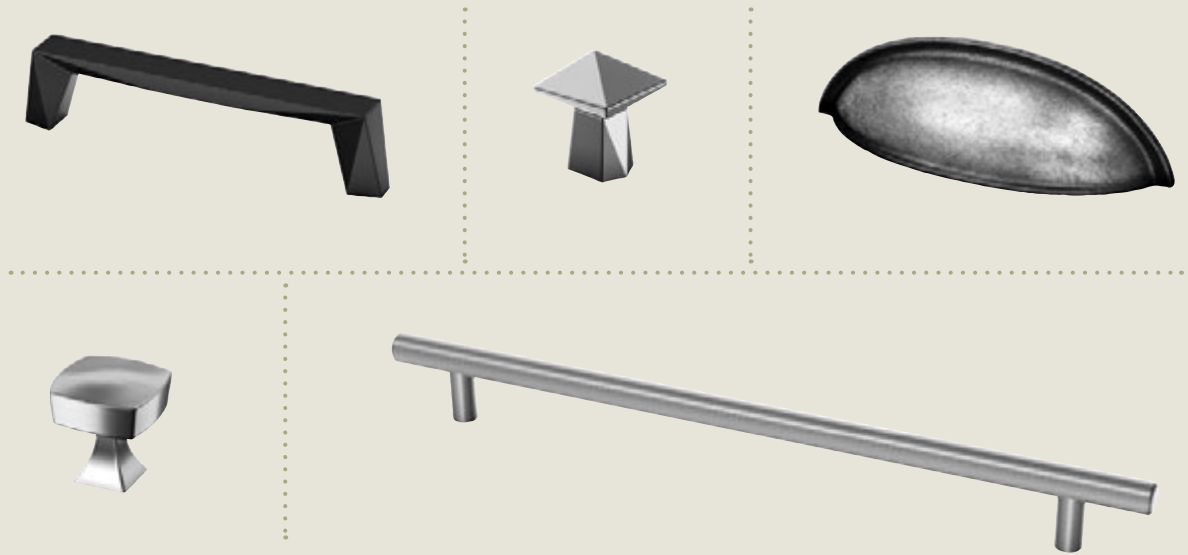
NEW! PRODUCT



- Indicate door style when ordering
- Used for repairing minor dents, gouges, scratches, and surface imperfections
- Kit includes:
 - » Putty Stick
 - » Touch-Up Marker
 - » Door Bumpers
- Instructions printed on bag

TOUCHUP KIT

Decorative Hardware



RESTRICTIONS

- NR12** Not recommended on regular 12" drawers
- NR15** Not recommended drawers on regular 15" or 12" drawers
- NR12LG** Not recommended on large 12" drawers
- NR15LG** Not recommended on large 15" or 12" drawers
- NRKDC** Not recommended on kneehole drawers

KEY POINTS

- Knobs and pulls are grouped in three convenient price tiers
- allen + roth Cabinetry does not recommend drilling through any door or drawer front joint for installation of decorative hardware
- Door and drawer fronts must be adjusted before installing decorative hardware
- Select door styles have limitations on certain decorative hardware which are indicated with restriction-specific icons and a list of door style(s) which are restricted.
- Restrictions may differ on regular and large drawer fronts based on center panel dimensions for each door style

EXAMPLE

Restriction:

| | |
|---------------|--|
| NR12 | ANY DOOR STYLE |
| NR12LG | ANY DOOR STYLE |
| NR15LG | AVELEY, GALWAY, HEATHROW, INNSBROOK, MCKELLER, PORT, STONEWALL |

Explanation:

This specific hardware is not recommended on 12" regular or large drawers for any door style. Also, this specific hardware is not recommended on 12" or 15" large drawers for the AVELEY, GALWAY, HEATHROW, INNSBROOK, MCKELLER, PORT, STONEWALL door styles.

Antic



Tier 3
Antic Pull
Polished Chrome
PULL 6797PC

128mm Center • Overall Length: 5 13/16"



Tier 3
Antic Pull
Satin Nickel
PULL 6797SN

128mm Center • Overall Length: 5 13/16"



Tier 3
Antic Pull
Vintage Nickel
PULL 6797VN

128mm Center • Overall Length: 5 13/16"



Tier 3
Antic Pull
Modern Brushed Gold
PULL 6797MG

128mm Center • Overall Length: 5 13/16"



Tier 3
Antic Pull
Matte Black
PULL 6797MB

128mm Center • Overall Length: 5 13/16"

NR12 AVELEY, GALWAY, INNSBROOK, PORT, STONEWALL

NR12LG AVELEY, GALWAY, INNSBROOK, PORT, STONEWALL



Tier 3
Antic Knob
Polished Chrome
KNOB 6798PC



Tier 3
Antic Knob
Satin Nickel
KNOB 6798SN



Tier 3
Antic Knob
Vintage Nickel
KNOB 6798VN



Tier 3
Antic Knob
Modern Brushed Gold
KNOB 6798MG



Tier 3
Antic Knob
Matte Black
KNOB 6798MB

Briolette



Tier 3
Briolette Pull
Polished Chrome
PULL 2272PC

128mm Center • Overall Length: 5 3/4"



Tier 3
Briolette Pull
Satin Nickel
PULL 2272SN

128mm Center • Overall Length: 5 3/4"



Tier 3
Briolette Pull
Modern Brushed Gold
PULL 2272MG

128mm Center • Overall Length: 5 3/4"



Tier 3
Briolette Pull
Brushed Copper
PULL 2272CP

128mm Center • Overall Length: 5 3/4"



Tier 3
Briolette Pull
Matte Black
PULL 2272MB

128mm Center • Overall Length: 5 3/4"

NR12 AVELEY, GALWAY, INNSBROOK, PORT, STONEWALL

NR12LG AVELEY, GALWAY, INNSBROOK, PORT, STONEWALL



Tier 3
Briolette Knob
Polished Chrome
KNOB 2271PC



Tier 3
Briolette Knob
Satin Nickel
KNOB 2271SN



Tier 3
Briolette Knob
Modern Brushed Gold
KNOB 2271MG



Tier 3
Briolette Knob
Brushed Copper
KNOB 2271CP



Tier 3
Briolette Knob
Matte Black
KNOB 2271MB

Radiant



Tier 3
Radiant Pull
Satin Nickel
PULL 0318SN

128mm Center • Overall Length: 5 3/4"



Tier 3
Radiant Pull
Weathered Nickel
PULL 0318WN

128mm Center • Overall Length: 5 3/4"



Tier 3
Radiant Pull
Modern Brushed Gold
PULL 0318MG

128mm Center • Overall Length: 5 3/4"



Tier 3
Radiant Pull
Verona Bronze
PULL 0318VB

128mm Center • Overall Length: 5 3/4"



Tier 3
Radiant Pull
Matte Black
PULL 0318MB

128mm Center • Overall Length: 5 3/4"

NR12 AVELEY, GALWAY, INNSBROOK, PORT, STONEWALL

NR12LG AVELEY, GALWAY, INNSBROOK, PORT, STONEWALL



Tier 3
Radiant Knob
Satin Nickel
KNOB 0319SN



Tier 3
Radiant Knob
Weathered Nickel
KNOB 0319WN



Tier 3
Radiant Knob
Modern Brushed Gold
KNOB 0319MG



Tier 3
Radiant Knob
Verona Bronze
KNOB 0319VB



Tier 3
Radiant Knob
Matte Black
KNOB 0319MB

Trillion



Tier 3
Trillion Pull
Polished Chrome
PULL 0875PC

128mm Center • Overall Length: 5 1/2"



Tier 3
Trillion Pull
Satin Nickel
PULL 0875SN

128mm Center • Overall Length: 5 1/2"



Tier 3
Trillion Pull
Vintage Nickel
PULL 0875VN

128mm Center • Overall Length: 5 1/2"



Tier 3
Trillion Pull
Modern Brushed Gold
PULL 0875MG

128mm Center • Overall Length: 5 1/2"



Tier 3
Trillion Pull
Matte Black
PULL 0875MB

128mm Center • Overall Length: 5 1/2"

NR12 AVELEY, GALWAY, INNSBROOK, PORT, STONEWALL

NR12LG AVELEY, GALWAY, INNSBROOK, PORT, STONEWALL



Tier 3
Trillion Knob
Polished Chrome
KNOB 0876PC



Tier 3
Trillion Knob
Satin Nickel
KNOB 0876SN



Tier 3
Trillion Knob
Vintage Nickel
KNOB 0876VN



Tier 3
Trillion Knob
Modern Brushed Gold
KNOB 0876MG



Tier 3
Trillion Knob
Matte Black
KNOB 0876MB

Marquise



Tier 3
Marquise Pull - 6 7/8"
Polished Chrome
 PULL 4213PC

160mm Center • Overall Length: 6 7/8"



Tier 3
Marquise Pull - 6 7/8"
Satin Nickel
 PULL 4213SN

160mm Center • Overall Length: 6 7/8"



Tier 3
Marquise Pull - 6 7/8"
Modern Brushed Gold
 PULL 4213MG

160mm Center • Overall Length: 6 7/8"



Tier 3
Marquise Pull - 6 7/8"
Brushed Copper
 PULL 4213CP

160mm Center • Overall Length: 6 7/8"



Tier 3
Marquise Pull - 6 7/8"
Matte Black
 PULL 4213MB

160mm Center • Overall Length: 6 7/8"

NR12 AVELEY, GALWAY, INNSBROOK, PORT, STONEWALL

NR12LG AVELEY, GALWAY, INNSBROOK, PORT, STONEWALL



Tier 3
Marquise Pull - 5 9/16"
Polished Chrome
 PULL 4212PC

128mm Center • Overall Length: 5 9/16"



Tier 3
Marquise Pull - 5 9/16"
Satin Nickel
 PULL 4212SN

128mm Center • Overall Length: 5 9/16"



Tier 3
Marquise Pull - 5 9/16"
Modern Brushed Gold
 PULL 4212MG

128mm Center • Overall Length: 5 9/16"



Tier 3
Marquise Pull - 5 9/16"
Brushed Copper
 PULL 4212CP

128mm Center • Overall Length: 5 9/16"



Tier 3
Marquise Pull - 5 9/16"
Matte Black
 PULL 4212MB

128mm Center • Overall Length: 5 9/16"

NR12 AVELEY, GALWAY, INNSBROOK, PORT, STONEWALL

NR12LG AVELEY, GALWAY, INNSBROOK, PORT, STONEWALL

Halo



Tier 2
Halo Knob
Polished Chrome
 KNOB 3106PC



Tier 2
Halo Knob
Satin Nickel
 KNOB 3106SN



Tier 2
Halo Knob
Modern Brushed Gold
 KNOB 3106MG



Tier 2
Halo Knob
Brushed Copper
 KNOB 3106CP



Tier 2
Halo Knob
Matte Black
 KNOB 3106MB

Rectangular



Tier 2
Rectangular Pull
 Polished Chrome
 PULL 3502PC
 96mm Center • Overall Length: 4 13/16"



Tier 2
Rectangular Pull
 Satin Nickel
 PULL 3502SN
 96mm Center • Overall Length: 4 13/16"



Tier 2
Rectangular Pull
 Vintage Nickel
 PULL 3502VN
 96mm Center • Overall Length: 4 13/16"



Tier 2
Rectangular Pull
 Modern Brushed Gold
 PULL 3502MG
 96mm Center • Overall Length: 4 13/16"



Tier 2
Rectangular Pull
 Matte Black
 PULL 3502MB
 96mm Center • Overall Length: 4 13/16"



Tier 2
Rectangular Knob
 Polished Chrome
 KNOB 3503PC



Tier 2
Rectangular Knob
 Satin Nickel
 KNOB 3503SN



Tier 2
Rectangular Knob
 Vintage Nickel
 KNOB 3503VN



Tier 2
Rectangular Knob
 Modern Brushed Gold
 KNOB 3503MG



Tier 2
Rectangular Knob
 Matte Black
 KNOB 3503MB

Beaded



Tier 2
Beaded Pull
 Satin Nickel
 PULL 3562SN
 96mm Center • Overall Length: 4 1/2"



Tier 2
Beaded Pull
 Weathered Nickel
 PULL 3562WN
 96mm Center • Overall Length: 4 1/2"



Tier 2
Beaded Pull
 Modern Brushed Gold
 PULL 3562MG
 96mm Center • Overall Length: 4 1/2"



Tier 2
Beaded Pull
 Verona Bronze
 PULL 3562VB
 96mm Center • Overall Length: 4 1/2"



Tier 2
Beaded Pull
 Matte Black
 PULL 3562MB
 96mm Center • Overall Length: 4 1/2"

Stamped



Tier 2
Stamped Knob
 Satin Nickel
 KNOB 3563SN



Tier 2
Stamped Knob
 Weathered Nickel
 KNOB 3563WN



Tier 2
Stamped Knob
 Modern Brushed Gold
 KNOB 3563MG



Tier 2
Stamped Knob
 Verona Bronze
 KNOB 3563VB



Tier 2
Stamped Knob
 Matte Black
 KNOB 3563MB

Bow



Tier 2
Bow Pull - 7 13/16"
Polished Chrome
 PULL 3129PC
 5" Center • Overall Length: 7 13/16"

Tier 2
Bow Pull - 7 13/16"
Satin Nickel
 PULL 3129SN
 5" Center • Overall Length: 7 13/16"

Tier 2
Bow Pull - 7 13/16"
Modern Brushed Gold
 PULL 3129MG
 5" Center • Overall Length: 7 13/16"

Tier 2
Bow Pull - 7 13/16"
Brushed Copper
 PULL 3129CP
 5" Center • Overall Length: 7 13/16"

Tier 2
Bow Pull - 7 13/16"
Matte Black
 PULL 3129MB
 5" Center • Overall Length: 7 13/16"

NR12 AVELEY, GALWAY, INNSBROOK, PORT, STONEWALL
NR12LG AVELEY, GALWAY, INNSBROOK, PORT, STONEWALL



Tier 1
Bow Pull - 6 3/16"
Polished Chrome
 PULL 3128PC
 96mm Center • Overall Length: 6 3/16"

Tier 1
Bow Pull - 6 3/16"
Satin Nickel
 PULL 3128SN
 96mm Center • Overall Length: 6 3/16"

Tier 1
Bow Pull - 6 3/16"
Modern Brushed Gold
 PULL 3128MG
 96mm Center • Overall Length: 6 3/16"

Tier 1
Bow Pull - 6 3/16"
Brushed Copper
 PULL 3128CP
 96mm Center • Overall Length: 6 3/16"

Tier 1
Bow Pull - 6 3/16"
Matte Black
 PULL 3128MB
 96mm Center • Overall Length: 6 3/16"

Tempo



Tier 2
Tempo Pull
Polished Chrome
 PULL 0323PC
 128mm Center • Overall Length: 5 7/16"

Tier 2
Tempo Pull
Satin Nickel
 PULL 0323SN
 128mm Center • Overall Length: 5 7/16"

Tier 2
Tempo Pull
Modern Brushed Gold
 PULL 0323MG
 128mm Center • Overall Length: 5 7/16"

Tier 2
Tempo Pull
Brushed Copper
 PULL 0323CP
 128mm Center • Overall Length: 5 7/16"

Tier 2
Tempo Pull
Matte Black
 PULL 0323MB
 128mm Center • Overall Length: 5 7/16"

NR12 AVELEY, GALWAY, INNSBROOK, PORT, STONEWALL
NR12LG AVELEY, GALWAY, INNSBROOK, PORT, STONEWALL



Tier 2
Tempo Knob
Polished Chrome
 KNOB 0322PC



Tier 2
Tempo Knob
Satin Nickel
 KNOB 0322SN



Tier 2
Tempo Knob
Modern Brushed Gold
 KNOB 0322MG



Tier 2
Tempo Knob
Brushed Copper
 KNOB 0322CP



Tier 2
Tempo Knob
Matte Black
 KNOB 0322MB

Cup



**Tier 2
Cup Pull**
Satin Nickel
PULL 3105SN
3" Center • Overall Length: 4 5/8"



**Tier 2
Cup Pull**
Weathered Nickel
PULL 3105WN
3" Center • Overall Length: 4 5/8"



**Tier 2
Cup Pull**
Modern Brushed Gold
PULL 3105MG
3" Center • Overall Length: 4 5/8"



**Tier 2
Cup Pull**
Verona Bronze
PULL 3105VB
3" Center • Overall Length: 4 5/8"



**Tier 2
Cup Pull**
Matte Black
PULL 3105MB
3" Center • Overall Length: 4 5/8"

NRKDC AVELEY, GALWAY, INNSBROOK, PORT, STONEWALL

Classic



**Tier 1
Classic Pull**
Satin Nickel
PULL 3172SN
3" Center • Overall Length: 5 5/8"



**Tier 1
Classic Pull**
Verona Bronze
PULL 3172VB
3" Center • Overall Length: 5 5/8"



**Tier 1
Classic Pull**
Matte Black
PULL 3172MB
3" Center • Overall Length: 5 5/8"



**Tier 1
Classic Knob**
Satin Nickel
KNOB 3173SN



**Tier 1
Classic Knob**
Weathered Nickel
KNOB 3173WN



**Tier 1
Classic Knob**
Modern Brushed Gold
KNOB 3173MG



**Tier 1
Classic Knob**
Verona Bronze
KNOB 3173VB



**Tier 1
Classic Knob**
Matte Black
KNOB 3173MB

Toggle



**Tier 1
Toggle Knob**
Satin Nickel
KNOB 3239SN



**Tier 1
Toggle Knob**
Verona Bronze
KNOB 3239VB



**Tier 1
Toggle Knob**
Matte Black
KNOB 3239MB

Twisted Crescent



Tier 1
Twisted Crescent Pull
Satin Nickel
 PULL 3122SN

96mm Center • Overall Length: 5 1/16"



Tier 1
Twisted Crescent Pull
Verona Bronze
 PULL 3122VB

96mm Center • Overall Length: 5 1/16"



Tier 1
Twisted Crescent Pull
Matte Black
 PULL 3122MB

96mm Center • Overall Length: 5 1/16"

Button



Tier 1
Button Knob
Satin Nickel
 KNOB 3213SN



Tier 1
Button Knob
Verona Bronze
 KNOB 3213VB



Tier 1
Button Knob
Matte Black
 KNOB 3213MB

Ringed



Tier 1
Ringed Arch Pull
Satin Nickel
 PULL 3672SN

3" Center • Overall Length: 5 1/2"



Tier 1
Ringed Arch Pull
Verona Bronze
 PULL 3672VB

3" Center • Overall Length: 5 1/2"



Tier 1
Ringed Arch Pull
Matte Black
 PULL 3672MB

3" Center • Overall Length: 5 1/2"

| | |
|---------------|--|
| NR12 | AVELEY, GALWAY, INNSBROOK, PORT, STONEWALL |
| NR12LG | AVELEY, GALWAY, INNSBROOK, PORT, STONEWALL |



Tier 1
Ringed Knob
Satin Nickel
 KNOB 3673SN



Tier 1
Ringed Knob
Verona Bronze
 KNOB 3673VB



Tier 1
Ringed Knob
Matte Black
 KNOB 3673MB

T-Bar



Tier 3
T-Bar Pull - 12 7/16"
Polished Chrome
 PULL 4730PC
 256mm Center
 Overall Length: 12 7/16"

Tier 3
T-Bar Pull - 12 7/16"
Satin Nickel
 PULL 4730SN
 256mm Center
 Overall Length: 12 7/16"

Tier 3
T-Bar Pull - 12 7/16"
Modern Brushed Gold
 PULL 4730MG
 256mm Center
 Overall Length: 12 7/16"

Tier 3
T-Bar Pull - 12 7/16"
Brushed Copper
 PULL 4730CP
 256mm Center
 Overall Length: 12 7/16"

Tier 3
T-Bar Pull - 12 7/16"
Matte Black
 PULL 4730MB
 256mm Center
 Overall Length: 12 7/16"

| | |
|---------------|--|
| NR12 | ANY DOOR STYLE |
| NR12LG | ANY DOOR STYLE |
| NR15LG | AVELEY, GALWAY, HEATHROW, INNSBROOK, MCKELLER, PORT, STONEWALL |



Tier 2
T-Bar Pull - 8 5/8"
Polished Chrome
 PULL 4712PC
 160mm Center • Overall Length: 8 5/8"

Tier 2
T-Bar Pull - 8 5/8"
Satin Nickel
 PULL 4712SN
 160mm Center • Overall Length: 8 5/8"

Tier 2
T-Bar Pull - 8 5/8"
Modern Brushed Gold
 PULL 4712MG
 160mm Center • Overall Length: 8 5/8"

Tier 2
T-Bar Pull - 8 5/8"
Brushed Copper
 PULL 4712CP
 160mm Center • Overall Length: 8 5/8"

Tier 2
T-Bar Pull - 8 5/8"
Matte Black
 PULL 4712MB
 160mm Center • Overall Length: 8 5/8"

| | |
|---------------|--|
| NR12 | AVELEY, GALWAY, HEATHROW, INNSBROOK, MCKELLER, PORT, STONEWALL |
| NR12LG | AVELEY, GALWAY, INNSBROOK, PORT, STONEWALL- |



Tier 1
T-Bar Pull - 5 5/16"
Polished Chrome
 PULL 4701PC
 3" Center • Overall Length: 5 5/16"

Tier 1
T-Bar Pull - 5 5/16"
Satin Nickel
 PULL 4701SN
 3" Center • Overall Length: 5 5/16"

Tier 1
T-Bar Pull - 5 5/16"
Modern Brushed Gold
 PULL 4701MG
 3" Center • Overall Length: 5 5/16"

Tier 1
T-Bar Pull - 5 5/16"
Brushed Copper
 PULL 4701CP
 3" Center • Overall Length: 5 5/16"

Tier 1
T-Bar Pull - 5 5/16"
Matte Black
 PULL 4701MB
 3" Center • Overall Length: 5 5/16"



Tier 1
T-Bar Knob
Polished Chrome
 KNOB 4703PC

Tier 1
T-Bar Knob
Satin Nickel
 KNOB 4703SN

Tier 1
T-Bar Knob
Modern Brushed Gold
 KNOB 4703MG

Tier 1
T-Bar Knob
Brushed Copper
 KNOB 4703CP

Tier 1
T-Bar Knob
Matte Black
 KNOB 4703MB

Tab



Tier 3
Tab Pull - 6"
Polished Chrome
 PULL 1060PC
 Overall Length: 6"

Tier 3
Tab Pull - 6"
Satin Nickel
 PULL 1060SN
 Overall Length: 6"

Tier 3
Tab Pull - 6"
Modern Brushed Gold
 PULL 1060MG
 Overall Length: 6"

Tier 3
Tab Pull - 6"
Brushed Copper
 PULL 1060CP
 Overall Length: 6"

Tier 3
Tab Pull - 6"
Matte Black
 PULL 1060MB
 Overall Length: 6"



Tier 2
Tab Pull - 3"
Polished Chrome
 PULL 1055PC
 Overall Length: 3"



Tier 2
Tab Pull - 3"
Satin Nickel
 PULL 1055SN
 Overall Length: 3"



Tier 2
Tab Pull - 3"
Modern Brushed Gold
 PULL 1055MG
 Overall Length: 3"



Tier 2
Tab Pull - 3"
Brushed Copper
 PULL 1055CP
 Overall Length: 3"



Tier 2
Tab Pull - 3"
Matte Black
 PULL 1055MB
 Overall Length: 3"



Tier 1
Tab Pull - 1 3/4"
Polished Chrome
 PULL 1050PC
 Overall Length: 1 3/4"



Tier 1
Tab Pull - 1 3/4"
Satin Nickel
 PULL 1050SN
 Overall Length: 1 3/4"



Tier 1
Tab Pull - 1 3/4"
Modern Brushed Gold
 PULL 1050MG
 Overall Length: 1 3/4"

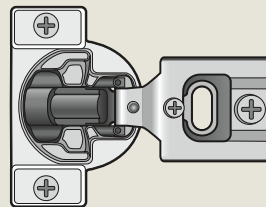
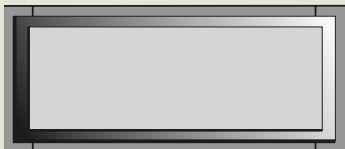
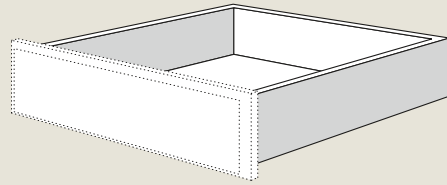
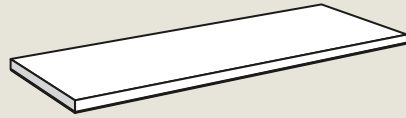
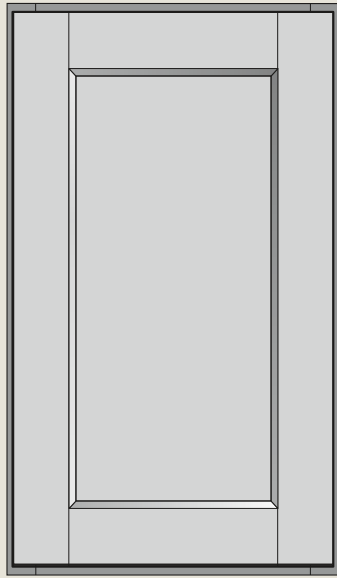


Tier 1
Tab Pull - 1 3/4"
Brushed Copper
 PULL 1050CP
 Overall Length: 1 3/4"



Tier 1
Tab Pull - 1 3/4"
Matte Black
 PULL 1050MB
 Overall Length: 1 3/4"

Parts Directory



Parts Directory Contents

The parts directory conveniently combines all three construction packages. All dimensions are found on pages 193–197.

Wall Cabinets

| | |
|-----------------------|-----|
| Standard..... | 166 |
| With Spice Rack..... | 166 |
| Wall Top Hinge..... | 167 |
| Wall End Angle..... | 168 |
| Blind | 168 |
| Corner..... | 169 |
| Wall Easy Reach | 169 |
| Refrigerator..... | 169 |
| Microwave..... | 170 |
| Wall Range Hood..... | 170 |

Base Cabinets

| | |
|---|-----|
| Furniture Drawers..... | 171 |
| Pedestal Drawers | 171 |
| Standard | 172 |
| With Deep Roll Out Trays..... | 172 |
| With Roll Out Tray Divider..... | 173 |
| With Wastebaskets..... | 173 |
| Base Pot and Pan Organizer..... | 173 |
| Peninsula..... | 173 |
| With Cutlery Divider Kit..... | 175 |
| With Wood Tiered Cutlery Divider Kit..... | 175 |
| Blind Corner | 175 |
| Blind Peninsula Corner..... | 175 |
| With Full Height Door..... | 178 |
| Base End Angle..... | 179 |
| Drawer Base Cabinets | |
| Two Drawer Base | 180 |
| Spice Drawer Cabinet | 180 |
| Base Microwave..... | 180 |
| Built-In Base Microwave | 180 |
| Three Drawer..... | 181 |
| Three Drawer With Drawer Organizer | 181 |
| Four Drawer..... | 182 |
| Four Drawer With Drawer Organizer..... | 182 |

Sink Base Cabinets

| | |
|---|-----|
| Corner Sink Base, Corner Sink Front | 183 |
| Sink/Cooktop Base and Front | 183 |
| Sink with Tilt-Out Tray(s)..... | 183 |
| Sink Base Multi-Storage Cabinet..... | 183 |

Corner Base Cabinets..... 184

Tall Cabinets

| | |
|---------------------------------------|-----|
| Utility With Adjustable Shelves | 185 |
| Utility With Deep Roll Out Trays..... | 186 |
| Double Oven..... | 188 |
| Single Oven..... | 188 |

Desk Cabinets

| | |
|--------------------------|-----|
| Desk Door..... | 176 |
| With Wastebasket(s)..... | 179 |
| Desk File Pullout..... | 179 |
| Desk Drawer Base..... | 179 |
| Kneehole Drawer..... | 180 |

Vanity Cabinets

| | |
|---------------------------------------|-----|
| Vanity Linen..... | 192 |
| Vanity Base..... | 192 |
| Vanity Wastebasket..... | 192 |
| Vanity Sink Base with Top Drawer..... | 192 |
| Vanity Combo Sink Base | 193 |
| Vanity Sink Base..... | 194 |
| Vanity Drawer Base..... | 194 |

Dimensions

| | |
|----------------------------|-----|
| Doors..... | 196 |
| Shelves | 197 |
| Glass Inserts..... | 198 |
| Roll Out Accessories | 199 |
| Drawer Fronts..... | 199 |
| Drawer Bodies..... | 200 |

Accessories

| | |
|--------------------------|-----|
| Miscellaneous Parts..... | 202 |
|--------------------------|-----|

Parts Directory Legend

| DOOR NOMENCLATURE LEGEND | |
|--------------------------|---|
| DR__ | Square doors must be ordered as hinged left (invert for right hinging) or as no drill Example: SKU: DR1230 Option: Left Hinge |
| DR_SD | Square Specialty Doors are used for Open Frame Door options Example: SKU: DR1230 SD Option: OFD - Open Frame Door Option: Left Hinge |
| DR_FH | Full-Height Door for Full-Height Base, Full-Height Peninsula Base and Full-Height Vanity Base Example: SKU: DR15 FH Option: Left Hinge |
| DR_V | Deep Sink Base Door Example: SKU: DR1521V Option: Left Hinge |

| DRAWER/PANEL FRONT NOMENCLATURE LEGEND | |
|--|--|
| DDF__ | Drawer/Panel Front for Base, Vanity or Desk cabinet |
| DDF__M | Large Drawer Front for Drawer Base, Vanity or Desk cabinet |
| DDFOV__ | Drawer Front for OVD__ (AS) BUTT |
| DDFKDC__ | Drawer Front for Kneehole Drawer cabinet |
| DDF__2DB | Drawer Front for 2 Drawer Base cabinet |

| DRAWER BODY NOMENCLATURE LEGEND | |
|---------------------------------|---|
| DRB__ | Dovetail drawer box with Full-Access Soft-Close glides |
| DRB__M | Deep Dovetail drawer box with Full-Access Soft-Close glides |

| ADJUSTABLE SHELVING NOMENCLATURE LEGEND | |
|--|---|
| Adjustable Shelving Notes: Bookshelves and Microwave Wall Cabinet replacement shelves feature Matching Interior standard - MI and MI PLY Shelving NOT available Specialty Door cabinets feature Matching Interior standard, replacement shelves must be ordered as __" SHELF MI or __" SHELF MI PLY | |
| __" SHELF 3/4 | essential and select 3/4" Adjustable Shelf for Wall, Base and 24" Deep Refrigerator Wall cabinets Example: 12" SHELF 3/4 |
| __" SHELF 24DP 3/4 | select 3/4" Full Depth Adjustable Shelf for Base cabinets and 24" Deep Refrigerator Wall cabinets Example: 30" SHELF 24DP 3/4 |
| __" SHELF PLY | luxury 3/4" Plywood Adjustable Shelf for Wall cabinets Example: 12" SHELF PLY |
| __" SHELF 24DP PLY | luxury 3/4" Plywood Full-Depth Adjustable Shelf for Base cabinets and 24" Deep Refrigerator Wall cabinets Example: 30" SHELF 24DP PLY |
| __" SHELF MI PLY | luxury Matching Interior 3/4" Plywood Adjustable Plywood Shelving, add MI before PLY Example: 12" SHELF MI PLY |
| __" SHELF MI | essential & select For Matching Interior 3/4" Plywood Adjustable Plywood Shelving, add MI before PLY Example: 12" SHELF MI |

| SKU | QTY | DOOR / SPECIALTY DOOR | | GLASS INSERT | QTY | ADJUSTABLE SHELF | |
|---------------------------------|-----|-----------------------|----------------|---------------|-----|--|----------------------|
| | | PART NAME | PART NAME | PART NAME | | essential & select 60, 61, 63, 64, 71, 72 | luxury 62, 65, 73 |
| | | | | | | *PART NAME | *PART NAME |
| STANDARD WALL • 12" HIGH | | | | | | | |
| W1212 | 1 | DR1212 | DR1212 SD | DGI-1212 | - | N/A | N/A |
| W1512 | 1 | DR1512 | DR1512 SD | DGI-1512 | - | N/A | N/A |
| W1812 | 1 | DR1812 | DR1812 SD | DGI-1812 | - | N/A | N/A |
| W2112 | 1 | DR2112 | DR2112 SD | DGI-2112 | - | N/A | N/A |
| W2412 BUTT | 2 | DR1212 BUTT | DR1212 BUTT SD | DGI-1212 BUTT | - | N/A | N/A |
| W2712 BUTT | 2 | DR1312 BUTT | DR1312 BUTT SD | DGI-1312 BUTT | - | N/A | N/A |
| W3012 BUTT | 2 | DR1512 BUTT | DR1512 BUTT SD | DGI-1512 BUTT | - | N/A | N/A |
| W3312 BUTT | 2 | DR1612 BUTT | DR1612 BUTT SD | DGI-1612 BUTT | - | N/A | N/A |
| W3612 BUTT | 2 | DR1812 BUTT | DR1812 BUTT SD | DGI-1812 BUTT | - | N/A | N/A |
| W3912 | 2 | DR1912 | DR1912 SD | DGI-1912 | - | N/A | N/A |
| STANDARD WALL • 15" HIGH | | | | | | | |
| W1215 | 1 | DR1215 | DR1215 SD | DGI-1215 | - | N/A | N/A |
| W1515 | 1 | DR1515 | DR1515 SD | DGI-1515 | - | N/A | N/A |
| W1815 | 1 | DR1815 | DR1815 SD | DGI-1815 | - | N/A | N/A |
| W2115 | 1 | DR2115 | DR2115 SD | DGI-2115 | - | N/A | N/A |
| W2415 BUTT | 2 | DR1215 BUTT | DR1215 BUTT SD | DGI-1215 BUTT | - | N/A | N/A |
| W2715 BUTT | 2 | DR1315 BUTT | DR1315 BUTT SD | DGI-1315 BUTT | - | N/A | N/A |
| W3015 BUTT | 2 | DR1515 BUTT | DR1515 BUTT SD | DGI-1515 BUTT | - | N/A | N/A |
| W3315 BUTT | 2 | DR1615 BUTT | DR1615 BUTT SD | DGI-1615 BUTT | - | N/A | N/A |
| W3615 BUTT | 2 | DR1815 BUTT | DR1815 BUTT SD | DGI-1815 BUTT | - | N/A | N/A |
| W3915 | 2 | DR1915 | DR1915 SD | DGI-1915 | - | N/A | N/A |
| STANDARD WALL • 18" HIGH | | | | | | | |
| W1218 | 1 | DR1218 | DR1218 SD | DGI-1218 | - | N/A | N/A |
| W1518 | 1 | DR1518 | DR1518 SD | DGI-1518 | - | N/A | N/A |
| W1818 | 1 | DR1818 | DR1818 SD | DGI-1818 | - | N/A | N/A |
| W2118 | 1 | DR2118 | DR2118 SD | DGI-2118 | - | N/A | N/A |
| W2418 BUTT | 2 | DR1218 BUTT | DR1218 BUTT SD | DGI-1218 BUTT | - | N/A | N/A |
| W2718 BUTT | 2 | DR1318 BUTT | DR1318 BUTT SD | DGI-1318 BUTT | - | N/A | N/A |
| W3018 BUTT | 2 | DR1518 BUTT | DR1518 BUTT SD | DGI-1518 BUTT | - | N/A | N/A |
| W3318 BUTT | 2 | DR1618 BUTT | DR1618 BUTT SD | DGI-1618 BUTT | - | N/A | N/A |
| W3618 BUTT | 2 | DR1818 BUTT | DR1818 BUTT SD | DGI-1818 BUTT | - | N/A | N/A |
| W3918 | 2 | DR1918 | DR1918 SD | DGI-1918 | - | N/A | N/A |
| STANDARD WALL • 21" HIGH | | | | | | | |
| W3021 BUTT | 2 | DR1521 BUTT | DR1521 BUTT SD | DGI-1521 BUTT | - | N/A | N/A |
| W3321 BUTT | 2 | DR1621 BUTT | DR1621 BUTT SD | DGI-1621 BUTT | - | N/A | N/A |
| W3621 BUTT | 2 | DR1821 BUTT | DR1821 BUTT SD | DGI-1821 BUTT | - | N/A | N/A |
| W3921 | 2 | DR1921 | DR1921 SD | DGI-1921 | - | N/A | N/A |
| STANDARD WALL • 24" HIGH | | | | | | | |
| W1224 | 1 | DR1224 | DR1224 SD | DGI-1224 | 1 | 12" SHELF 3/4 | 12" SHELF PLY |
| W1524 | 1 | DR1524 | DR1524 SD | DGI-1524 | 1 | 15" SHELF 3/4 | 15" SHELF PLY |
| W1824 | 1 | DR1824 | DR1824 SD | DGI-1824 | 1 | 18" SHELF 3/4 | 18" SHELF PLY |
| W2124 | 1 | DR2124 | DR2124 SD | DGI-2124 | 1 | 21" SHELF 3/4 | 21" SHELF PLY |
| W2424 BUTT | 2 | DR1224 BUTT | DR1224 BUTT SD | DGI-1224 BUTT | 1 | 24" SHELF 3/4 | 24" SHELF PLY |
| W2724 BUTT | 2 | DR1324 BUTT | DR1324 BUTT SD | DGI-1324 BUTT | 1 | 27" SHELF 3/4 | 27" SHELF PLY |
| W3024 BUTT | 2 | DR1524 BUTT | DR1524 BUTT SD | DGI-1524 BUTT | 1 | 30" SHELF 3/4 | 30" SHELF PLY |
| W3324 BUTT | 2 | DR1624 BUTT | DR1624 BUTT SD | DGI-1624 BUTT | 1 | 33" SHELF 3/4 | 33" SHELF PLY |
| W3624 BUTT | 2 | DR1824 BUTT | DR1824 BUTT SD | DGI-1824 BUTT | 1 | 36" SHELF 3/4 | 36" SHELF PLY |
| STANDARD WALL • 27" HIGH | | | | | | | |
| W3027 BUTT | 2 | DR1527 BUTT | DR1527 BUTT SD | DGI-1527 BUTT | 1 | 30" SHELF 3/4 | 30" SHELF PLY |

*For Matching Interior Adjustable Shelf, refer to Parts Directory Legend

| SKU | QTY | DOOR / SPECIALTY DOOR | | GLASS INSERT | QTY | ADJUSTABLE SHELF | |
|--|-----|-----------------------|----------------|---------------|-----|--|----------------------|
| | | PART NAME | PART NAME | PART NAME | | essential & select 60, 61, 63, 64, 71, 72 | luxury 62, 65, 73 |
| | | | | | | *PART NAME | *PART NAME |
| STANDARD WALL • 30" HIGH | | | | | | | |
| W930 | 1 | DR930 | N/A | N/A | 2 | 9" SHELF 3/4 | 9" SHELF PLY |
| W1230 | 1 | DR1230 | DR1230 SD | DGI-1230 | 2 | 12" SHELF 3/4 | 12" SHELF PLY |
| W1530 | 1 | DR1530 | DR1530 SD | DGI-1530 | 2 | 15" SHELF 3/4 | 15" SHELF PLY |
| W1830 | 1 | DR1830 | DR1830 SD | DGI-1830 | 2 | 18" SHELF 3/4 | 18" SHELF PLY |
| W2130 | 1 | DR2130 | DR2130 SD | DGI-2130 | 2 | 21" SHELF 3/4 | 21" SHELF PLY |
| W2430 | 1 | DR2430 | N/A | N/A | 2 | 24" SHELF 3/4 | 24" SHELF PLY |
| W2430 BUTT | 2 | DR1230 BUTT | DR1230 BUTT SD | DGI-1230 BUTT | 2 | 24" SHELF 3/4 | 24" SHELF PLY |
| W2730 BUTT | 2 | DR1330 BUTT | DR1330 BUTT SD | DGI-1330 BUTT | 2 | 27" SHELF 3/4 | 27" SHELF PLY |
| W3030 BUTT | 2 | DR1530 BUTT | DR1530 BUTT SD | DGI-1530 BUTT | 2 | 30" SHELF 3/4 | 30" SHELF PLY |
| W3330 BUTT | 2 | DR1630 BUTT | DR1630 BUTT SD | DGI-1630 BUTT | 2 | 33" SHELF 3/4 | 33" SHELF PLY |
| W3630 BUTT | 2 | DR1830 BUTT | DR1830 BUTT SD | DGI-1830 BUTT | 2 | 36" SHELF 3/4 | 36" SHELF PLY |
| WALL WITH SPICE RACK • 30" HIGH | | | | | | | |
| W1530 SR | 1 | DR1530 | N/A | N/A | 2 | 15" SHELF 3/4 | 15" SHELF PLY |
| W1830 SR | 1 | DR1830 | N/A | N/A | 2 | 18" SHELF 3/4 | 18" SHELF PLY |
| W2130 SR | 1 | DR2130 | N/A | N/A | 2 | 21" SHELF 3/4 | 21" SHELF PLY |
| STANDARD WALL • 36" HIGH | | | | | | | |
| W936 | 1 | DR936 | N/A | N/A | 2 | 9" SHELF 3/4 | 9" SHELF PLY |
| W1236 | 1 | DR1236 | DR1236 SD | DGI-1236 | 2 | 12" SHELF 3/4 | 12" SHELF PLY |
| W1536 | 1 | DR1536 | DR1536 SD | DGI-1536 | 2 | 15" SHELF 3/4 | 15" SHELF PLY |
| W1836 | 1 | DR1836 | DR1836 SD | DGI-1836 | 2 | 18" SHELF 3/4 | 18" SHELF PLY |
| W2136 | 1 | DR2136 | DR2136 SD | DGI-2136 | 2 | 21" SHELF 3/4 | 21" SHELF PLY |
| W2436 | 1 | DR2436 | N/A | N/A | 2 | 24" SHELF 3/4 | 24" SHELF PLY |
| W2436 BUTT | 2 | DR1236 BUTT | DR1236 BUTT SD | DGI-1236 BUTT | 2 | 24" SHELF 3/4 | 24" SHELF PLY |
| W2736 BUTT | 2 | DR1336 BUTT | DR1336 BUTT SD | DGI-1336 BUTT | 2 | 27" SHELF 3/4 | 27" SHELF PLY |
| W3036 BUTT | 2 | DR1536 BUTT | DR1536 BUTT SD | DGI-1536 BUTT | 2 | 30" SHELF 3/4 | 30" SHELF PLY |
| W3336 BUTT | 2 | DR1636 BUTT | DR1636 BUTT SD | DGI-1636 BUTT | 2 | 33" SHELF 3/4 | 33" SHELF PLY |
| W3636 BUTT | 2 | DR1836 BUTT | DR1836 BUTT SD | DGI-1836 BUTT | 2 | 36" SHELF 3/4 | 36" SHELF PLY |
| WALL WITH SPICE RACK • 36" HIGH | | | | | | | |
| W1536 SR | 1 | DR1536 | N/A | N/A | 2 | 15" SHELF 3/4 | 15" SHELF PLY |
| W1836 SR | 1 | DR1836 | N/A | N/A | 2 | 18" SHELF 3/4 | 18" SHELF PLY |
| W2136 SR | 1 | DR2136 | N/A | N/A | 2 | 21" SHELF 3/4 | 21" SHELF PLY |
| WALL CABINET • 39" HIGH | | | | | | | |
| W939 | 1 | DR939 | N/A | N/A | 3 | 9" SHELF 3/4 | 9" SHELF PLY |
| W1239 | 1 | DR1239 | DR1239 SD | DGI-1239 | 3 | 12" SHELF 3/4 | 12" SHELF PLY |
| W1539 | 1 | DR1539 | DR1539 SD | DGI-1539 | 3 | 15" SHELF 3/4 | 15" SHELF PLY |
| W1839 | 1 | DR1839 | DR1839 SD | DGI-1839 | 3 | 18" SHELF 3/4 | 18" SHELF PLY |
| W2139 | 1 | DR2139 | DR2139 SD | DGI-2139 | 3 | 21" SHELF 3/4 | 21" SHELF PLY |
| W2439 | 1 | DR2439 | N/A | N/A | 3 | 24" SHELF 3/4 | 24" SHELF PLY |
| W2439 BUTT | 2 | DR1239 BUTT | DR1239 BUTT SD | DGI-1239 BUTT | 3 | 24" SHELF 3/4 | 24" SHELF PLY |
| W2739 BUTT | 2 | DR1339 BUTT | DR1339 BUTT SD | DGI-1339 BUTT | 3 | 27" SHELF 3/4 | 27" SHELF PLY |
| W3039 BUTT | 2 | DR1539 BUTT | DR1539 BUTT SD | DGI-1539 BUTT | 3 | 30" SHELF 3/4 | 30" SHELF PLY |
| W3339 BUTT | 2 | DR1639 BUTT | DR1639 BUTT SD | DGI-1639 BUTT | 3 | 33" SHELF 3/4 | 33" SHELF PLY |
| W3639 BUTT | 2 | DR1839 BUTT | DR1839 BUTT SD | DGI-1839 BUTT | 3 | 36" SHELF 3/4 | 36" SHELF PLY |
| WALL WITH SPICE RACK • 39" HIGH | | | | | | | |
| W1539 SR | 1 | DR1539 | N/A | N/A | 3 | 15" SHELF 3/4 | 15" SHELF PLY |
| W1839 SR | 1 | DR1839 | N/A | N/A | 3 | 18" SHELF 3/4 | 18" SHELF PLY |
| W2139 SR | 1 | DR2139 | N/A | N/A | 3 | 21" SHELF 3/4 | 21" SHELF PLY |
| STANDARD WALL • 42" HIGH | | | | | | | |
| W942 | 1 | DR942 | N/A | N/A | 3 | 9" SHELF 3/4 | 9" SHELF PLY |
| W1242 | 1 | DR1242 | DR1242 SD | DGI-1242 | 3 | 12" SHELF 3/4 | 12" SHELF PLY |
| W1542 | 1 | DR1542 | DR1542 SD | DGI-1542 | 3 | 15" SHELF 3/4 | 15" SHELF PLY |
| W1842 | 1 | DR1842 | DR1842 SD | DGI-1842 | 3 | 18" SHELF 3/4 | 18" SHELF PLY |
| W2142 | 1 | DR2142 | DR2142 SD | DGI-2142 | 3 | 21" SHELF 3/4 | 21" SHELF PLY |
| W2442 | 1 | DR2442 | N/A | N/A | 3 | 24" SHELF 3/4 | 24" SHELF PLY |
| W2442 BUTT | 2 | DR1242 BUTT | DR1242 BUTT SD | DGI-1242 BUTT | 3 | 24" SHELF 3/4 | 24" SHELF PLY |
| W2742 BUTT | 2 | DR1342 BUTT | DR1342 BUTT SD | DGI-1342 BUTT | 3 | 27" SHELF 3/4 | 27" SHELF PLY |
| W3042 BUTT | 2 | DR1542 BUTT | DR1542 BUTT SD | DGI-1542 BUTT | 3 | 30" SHELF 3/4 | 30" SHELF PLY |
| W3342 BUTT | 2 | DR1642 BUTT | DR1642 BUTT SD | DGI-1642 BUTT | 3 | 33" SHELF 3/4 | 33" SHELF PLY |
| W3642 BUTT | 2 | DR1842 BUTT | DR1842 BUTT SD | DGI-1842 BUTT | 3 | 36" SHELF 3/4 | 36" SHELF PLY |

| SKU | QTY | DOOR / SPECIALTY DOOR | | GLASS INSERT | QTY | ADJUSTABLE SHELF | |
|---|-----|-----------------------|----------------|---------------|-----|--|----------------------|
| | | PART NAME | PART NAME | PART NAME | | essential & select 60, 61, 63, 64, 71, 72 | luxury 62, 65, 73 |
| | | | | | | *PART NAME | *PART NAME |
| WALL WITH SPICE RACK - 42" HIGH | | | | | | | |
| W1542 SR | 1 | DR1542 | N/A | N/A | 2 | 15" SHELF 3/4 | 15" SHELF PLY |
| W1842 SR | 1 | DR1842 | N/A | N/A | 2 | 18" SHELF 3/4 | 18" SHELF PLY |
| W2142 SR | 1 | DR2142 | N/A | N/A | 3 | 21" SHELF 3/4 | 21" SHELF PLY |
| WALL TOP HINGE - 15" HIGH | | | | | | | |
| WTH3015 | 1 | DR3015 WTH | DR3015 WTH SD | DGI-1530 | - | N/A | N/A |
| WTH3615 | 1 | DR3615 WTH | DR3615 WTH SD | DGI-1536 | - | N/A | N/A |
| WALL TOP HINGE - 15" HIGH X 24" DEEP | | | | | | | |
| WTH3015 X 24DP | 1 | DR3015 WTH | DR3015 WTH SD | DGI-1530 | - | N/A | N/A |
| WTH3615 X 24DP | 1 | DR3615 WTH | DR3615 WTH SD | DGI-1536 | - | N/A | N/A |
| WALL TOP HINGE - 18" HIGH | | | | | | | |
| WTH3018 | 1 | DR3018 WTH | DR3018 WTH SD | DGI-1830 | - | N/A | N/A |
| WTH3618 | 1 | DR3618 WTH | DR3618 WTH SD | DGI-1836 | - | N/A | N/A |
| WALL TOP HINGE - 18" HIGH X 24" DEEP | | | | | | | |
| WTH3018 X 24DP | 1 | DR3018 WTH | DR3018 WTH SD | DGI-1830 | - | N/A | N/A |
| WTH3618 X 24DP | 1 | DR3618 WTH | DR3618 WTH SD | DGI-1836 | - | N/A | N/A |
| WALL END ANGLE | | | | | | | |
| WEA1230 | 1 | DR1530 | DR1530 SD | DGI-1530 | 2 | WEA SHELF 3/4 | WEA SHELF PLY |
| WEA1236 | 1 | DR1536 | DR1536 SD | DGI-1536 | 2 | WEA SHELF 3/4 | WEA SHELF PLY |
| WEA1239 | 1 | DR1539 | DR1539 SD | DGI-1539 | 3 | WEA SHELF 3/4 | WEA SHELF PLY |
| WEA1242 | 1 | DR1542 | DR1542 SD | DGI-1542 | 3 | WEA SHELF 3/4 | WEA SHELF PLY |
| BLIND WALL - 24" HIGH | | | | | | | |
| BLW24/2724 | 1 | DR1224 | DR1224 SD | DGI-1224 | 1 | 24" SHELF 3/4 | 24" SHELF PLY |
| BLW27/3024 | 1 | DR1524 | DR1524 SD | DGI-1524 | 1 | 27" SHELF 3/4 | 27" SHELF PLY |
| BLW30/3324 | 1 | DR1824 | DR1824 SD | DGI-1824 | 1 | 30" SHELF 3/4 | 30" SHELF PLY |
| BLW33/3624 | 1 | DR2124 | DR2124 SD | DGI-2124 | 1 | 33" SHELF 3/4 | 33" SHELF PLY |
| BLW36/3924 BUTT | 2 | DR1224 BUTT | DR1224 BUTT SD | DGI-1224 BUTT | 1 | 36" SHELF 3/4 | 36" SHELF PLY |
| BLIND WALL - 30" HIGH | | | | | | | |
| BLW24/2730 | 1 | DR1230 | DR1230 SD | DGI-1230 | 2 | 24" SHELF 3/4 | 24" SHELF PLY |
| BLW27/3030 | 1 | DR1530 | DR1530 SD | DGI-1530 | 2 | 27" SHELF 3/4 | 27" SHELF PLY |
| BLW30/3330 | 1 | DR1830 | DR1830 SD | DGI-1830 | 2 | 30" SHELF 3/4 | 30" SHELF PLY |
| BLW33/3630 | 1 | DR2130 | DR2130 SD | DGI-2130 | 2 | 33" SHELF 3/4 | 33" SHELF PLY |
| BLW36/3930 | 1 | DR2430 | N/A | N/A | 2 | 36" SHELF 3/4 | 36" SHELF PLY |
| BLW36/3930 BUTT | 2 | DR1230 BUTT | DR1230 BUTT SD | DGI-1230 BUTT | 2 | 36" SHELF 3/4 | 36" SHELF PLY |
| BLW39/4230 BUTT | 2 | DR1330 BUTT | DR1330 BUTT SD | DGI-1330 BUTT | 2 | 39" SHELF 3/4 | 39" SHELF PLY |
| BLW42/4530 BUTT | 2 | DR1530 BUTT | DR1530 BUTT SD | DGI-1530 BUTT | 2 | 42" SHELF 3/4 | 42" SHELF PLY |
| BLIND WALL - 36" HIGH | | | | | | | |
| BLW24/2736 | 1 | DR1236 | DR1236 SD | DGI-1236 | 2 | 24" SHELF 3/4 | 24" SHELF PLY |
| BLW27/3036 | 1 | DR1536 | DR1536 SD | DGI-1536 | 2 | 27" SHELF 3/4 | 27" SHELF PLY |
| BLW30/3336 | 1 | DR1836 | DR1836 SD | DGI-1836 | 2 | 30" SHELF 3/4 | 30" SHELF PLY |
| BLW33/3636 | 1 | DR2136 | DR2136 SD | DGI-2136 | 2 | 33" SHELF 3/4 | 33" SHELF PLY |
| BLW36/3936 BUTT | 2 | DR1236 BUTT | DR1236 BUTT SD | DGI-1236 BUTT | 2 | 36" SHELF 3/4 | 36" SHELF PLY |
| BLW39/4236 BUTT | 2 | DR1336 BUTT | DR1336 BUTT SD | DGI-1336 BUTT | 2 | 39" SHELF 3/4 | 39" SHELF PLY |
| BLW42/4536 BUTT | 2 | DR1536 BUTT | DR1536 BUTT SD | DGI-1536 BUTT | 2 | 42" SHELF 3/4 | 42" SHELF PLY |
| BLIND WALL - 39" HIGH | | | | | | | |
| BLW24/2739 | 1 | DR1239 | DR1239 SD | DGI-1239 | 3 | 24" SHELF 3/4 | 24" SHELF PLY |
| BLW27/3039 | 1 | DR1539 | DR1539 SD | DGI-1539 | 3 | 27" SHELF 3/4 | 27" SHELF PLY |
| BLW30/3339 | 1 | DR1839 | DR1839 SD | DGI-1839 | 3 | 30" SHELF 3/4 | 30" SHELF PLY |
| BLW33/3639 | 1 | DR2139 | DR2139 SD | DGI-2139 | 3 | 33" SHELF 3/4 | 33" SHELF PLY |
| BLW36/3939 BUTT | 2 | DR1239 BUTT | DR1239 BUTT SD | DGI-1239 BUTT | 3 | 36" SHELF 3/4 | 36" SHELF PLY |
| BLW39/4239 BUTT | 2 | DR1339 BUTT | DR1339 BUTT SD | DGI-1339 BUTT | 3 | 39" SHELF 3/4 | 39" SHELF PLY |
| BLW42/4539 BUTT | 2 | DR1539 BUTT | DR1539 BUTT SD | DGI-1539 BUTT | 3 | 39" SHELF 3/4 | 39" SHELF PLY |
| BLIND WALL - 42" HIGH | | | | | | | |
| BLW24/2742 | 1 | DR1242 | DR1242 SD | DGI-1242 | 3 | 24" SHELF 3/4 | 24" SHELF PLY |
| BLW27/3042 | 1 | DR1542 | DR1542 SD | DGI-1542 | 3 | 27" SHELF 3/4 | 27" SHELF PLY |
| BLW30/3342 | 1 | DR1842 | DR1842 SD | DGI-1842 | 3 | 30" SHELF 3/4 | 30" SHELF PLY |
| BLW33/3642 | 1 | DR2142 | DR2142 SD | DGI-2142 | 3 | 33" SHELF 3/4 | 33" SHELF PLY |
| BLW36/3942 BUTT | 2 | DR1242 BUTT | DR1242 BUTT SD | DGI-1242 BUTT | 3 | 36" SHELF 3/4 | 36" SHELF PLY |
| BLW39/4242 BUTT | 2 | DR1342 BUTT | DR1342 BUTT SD | DGI-1342 BUTT | 3 | 39" SHELF 3/4 | 39" SHELF PLY |
| BLW42/4542 BUTT | 2 | DR1542 BUTT | DR1542 BUTT SD | DGI-1542 BUTT | 3 | 42" SHELF 3/4 | 42" SHELF PLY |

*For Matching Interior Adjustable Shelf, refer to Parts Directory Legend

| SKU | QTY | DOOR / SPECIALTY DOOR | | GLASS INSERT | QTY | ADJUSTABLE SHELF | |
|--|-----|-----------------------|------------------|-----------------|-----|--|----------------------|
| | | PART NAME | PART NAME | PART NAME | | essential & select 60, 61, 63, 64, 71, 72 | luxury 62, 65, 73 |
| | | | | | | *PART NAME | *PART NAME |
| CORNER WALL - 12" HIGH | | | | | | | |
| CW2412 | 1 | DR1512 | DR1512 SD | DGI-1512 | - | N/A | N/A |
| CW2712 | 1 | DR1512 | DR1512 SD | DGI-1512 | - | N/A | N/A |
| CORNER WALL - 15" HIGH | | | | | | | |
| CW2415 | 1 | DR1515 | DR1515 SD | DGI-1515 | - | N/A | N/A |
| CW2715 | 1 | DR1515 | DR1515 SD | DGI-1515 | - | N/A | N/A |
| CORNER WALL - 18" HIGH | | | | | | | |
| CW2418 | 1 | DR1518 | DR1518 SD | DGI-1518 | - | N/A | N/A |
| CW2718 | 1 | DR1518 | DR1518 SD | DGI-1518 | - | N/A | N/A |
| CORNER WALL - 24" HIGH | | | | | | | |
| CW2424 | 1 | DR1524 | DR1524 SD | DGI-1524 | - | N/A | N/A |
| CW2724 | 1 | DR1524 | DR1524 SD | DGI-1524 | - | N/A | N/A |
| CORNER WALL - 30" HIGH | | | | | | | |
| CW2430 | 1 | DR1530 | DR1530 SD | DGI-1530 | 2 | CW SHELF ADJ 3/4 | CW SHELF ADJ PLY |
| CW2730 | 1 | DR1530 | DR1530 SD | DGI-1530 | 2 | CW27 SHELF ADJ 3/4 | CW27 SHELF ADJ PLY |
| CWS2430 WD | 1 | DR1530 | DR1530 SD | DGI-1530 | 2 | CWS24 SHELF WD NP | CWS24 SHLF WD NP PLY |
| CORNER WALL - 36" HIGH | | | | | | | |
| CW2436 | 1 | DR1536 | DR1536 SD | DGI-1536 | 2 | CW SHELF ADJ 3/4 | CW SHELF ADJ PLY |
| CW2736 | 1 | DR1536 | DR1536 SD | DGI-1536 | 2 | CW27 SHELF ADJ 3/4 | CW27 SHELF ADJ PLY |
| CWS2436 WD | 1 | DR1536 | DR1536 SD | DGI-1536 | 2 | CWS24 SHELF WD NP | CWS24 SHLF WD NP PLY |
| CORNER WALL - 39" HIGH | | | | | | | |
| CW2439 | 1 | DR1539 | DR1539 SD | DGI-1539 | 3 | CW SHELF ADJ 3/4 | CW SHELF ADJ PLY |
| CW2739 | 1 | DR1539 | DR1539 SD | DGI-1539 | 3 | CW27 SHELF ADJ 3/4 | CW27 SHELF ADJ PLY |
| CWS2439 WD | 1 | DR1539 | DR1539 SD | DGI-1539 | 3 | CWS24 SHLF WD NP | CWS24 SHLF WD NP PLY |
| CORNER WALL - 42" HIGH | | | | | | | |
| CW2442 | 1 | DR1542 | DR1542 SD | DGI-1542 | 3 | CW SHELF ADJ 3/4 | CW SHELF ADJ PLY |
| CW2742 | 1 | DR1542 | DR1542 SD | DGI-1542 | 3 | CW27 SHELF ADJ 3/4 | CW27 SHELF ADJ PLY |
| CWS2442 WD | 1 | DR1542 | DR1542 SD | DGI-1542 | 3 | CWS24 SHELF WD NP | CWS24 SHLF WD NP PLY |
| WALL EASY REACH | | | | | | | |
| WER2430 | 1 | DR1230 WER DRILL | N/A | N/A | 2 | WER SHELF 3/4 | WER SHELF PLY |
| | 1 | DR1230 WER ND | | | | | |
| WER2436 | 1 | DR1236 WER DRILL | N/A | N/A | 2 | WER SHELF 3/4 | WER SHELF PLY |
| | 1 | DR1236 WER ND | | | | | |
| WER2439 | 1 | DR1239 WER DRILL | N/A | N/A | 3 | WER SHELF 3/4 | WER SHELF PLY |
| | 1 | DR1239 WER ND | | | | | |
| WER2442 | 1 | DR1242 WER DRILL | N/A | N/A | 3 | WER SHELF 3/4 | WER SHELF PLY |
| | 1 | DR1242 WER ND | | | | | |
| WALL REFRIGERATOR - 12" HIGH X 24" DEEP | | | | | | | |
| W3012 X 24 DP BUTT | 2 | DR1512 BUTT | DR1512 BUTT SD | DGI-1512 BUTT | - | N/A | N/A |
| W3312 X 24 DP BUTT | 2 | DR1612 BUTT | DR1612 BUTT SD | DGI-1612 BUTT | - | N/A | N/A |
| W3612 X 24 DP BUTT | 2 | DR1812 BUTT | DR1812 BUTT SD | DGI-1812 BUTT | - | N/A | N/A |
| W3712 X 24 DP BUTT | 2 | DR18.512 BUTT | DR18.512 BUTT SD | DGI-18.512 BUTT | - | N/A | N/A |
| W3912 X 24 DP | 2 | DR1912 | DR1912 SD | DGI-1912 | - | N/A | N/A |
| W4212 X 24 DP | 2 | DR2112 | N/A | N/A | - | N/A | N/A |
| W4812 X 24 DP BUTT | 4 | DR1212 BUTT | N/A | N/A | - | N/A | N/A |
| WALL REFRIGERATOR - 15" HIGH X 24" DEEP | | | | | | | |
| W3015 X 24 DP BUTT | 2 | DR1515 BUTT | DR1515 BUTT SD | DGI-1515 BUTT | - | N/A | N/A |
| W3315 X 24 DP BUTT | 2 | DR1615 BUTT | DR1615 BUTT SD | DGI-1615 BUTT | - | N/A | N/A |
| W3615 X 24 DP BUTT | 2 | DR1815 BUTT | DR1815 BUTT SD | DGI-1815 BUTT | - | N/A | N/A |
| W3715 X 24 DP BUTT | 2 | DR18.515 BUTT | DR18.515 BUTT SD | DGI-18.515 BUTT | - | N/A | N/A |
| W3915 X 24 DP | 2 | DR1915 | DR1915 SD | DGI-1915 | - | N/A | N/A |
| WALL REFRIGERATOR - 18" HIGH X 24" DEEP | | | | | | | |
| W3018 X 24 DP BUTT | 2 | DR1518 BUTT | DR1518 BUTT SD | DGI-1518 BUTT | - | N/A | N/A |
| W3318 X 24 DP BUTT | 2 | DR1618 BUTT | DR1618 BUTT SD | DGI-1618 BUTT | - | N/A | N/A |
| W3618 X 24 DP BUTT | 2 | DR1818 BUTT | DR1818 BUTT SD | DGI-1818 BUTT | - | N/A | N/A |
| W3718 X 24 DP BUTT | 2 | DR18.518 BUTT | DR18.518 BUTT SD | DGI-18.518 BUTT | - | N/A | N/A |
| W3918 X 24 DP | 2 | DR1918 | DR1918 SD | DGI-1918 | - | N/A | N/A |

| SKU | QTY | DOOR / SPECIALTY DOOR | | GLASS INSERT | QTY | ADJUSTABLE SHELF | |
|--|-----|-----------------------|------------------|-----------------|-----|--|----------------------|
| | | PART NAME | PART NAME | PART NAME | | essential & select 60, 61, 63, 64, 71, 72 | luxury 62, 65, 73 |
| | | | | | | *PART NAME | *PART NAME |
| WALL REFRIGERATOR - 21" HIGH X 24" DEEP | | | | | | | |
| W3021 X 24 DP BUTT | 2 | DR1521 BUTT | DR1521 BUTT SD | DGI-1521 | - | N/A | N/A |
| W3321 X 24 DP BUTT | 2 | DR1621 BUTT | DR1621 BUTT SD | DGI-1621 | - | N/A | N/A |
| W3621 X 24 DP BUTT | 2 | DR1821 BUTT | DR1821 BUTT SD | DGI-1821 | - | N/A | N/A |
| W3721 X 24 DP BUTT | 2 | DR18.521 BUTT | DR18.521 BUTT SD | DGI-18.521 BUTT | - | N/A | N/A |
| W3921 X 24DP | 2 | DR1921 | DR1921 SD | DGI-1921 | - | N/A | N/A |
| WALL REFRIGERATOR - 24" HIGH X 24" DEEP | | | | | | | |
| W3024 X 24 DP BUTT | 2 | DR1524 BUTT | DR1524 BUTT SD | DGI-1524 BUTT | 1 | 30" SHELF 24DP 3/4 | 30" SHELF 24DP PLY |
| W3324 X 24 DP BUTT | 2 | DR1624 BUTT | DR1624 BUTT SD | DGI-1624 BUTT | 1 | 33" SHELF 24DP 3/4 | 33" SHELF 24DP PLY |
| W3624 X 24 DP BUTT | 2 | DR1824 BUTT | DR1824 BUTT SD | DGI-1824 BUTT | 1 | 36" SHELF 24DP 3/4 | 36" SHELF 24DP PLY |
| W3724 X 24 DP BUTT | 2 | DR18.524 BUTT | DR18.524 BUTT SD | DGI-18.524 BUTT | 1 | 37" SHELF 24DP 3/4 | 37" SHELF 24DP PLY |
| WALL REFRIGERATOR - 27" HIGH X 24" DEEP | | | | | | | |
| W3027 X 24 DP BUTT | 2 | DR1527 BUTT | DR1527 BUTT SD | DGI-1527 | 1 | 30" SHELF 24DP 3/4 | 30" SHELF 24DP PLY |
| COMPACT WALL MICROWAVE | | | | | | | |
| WCMSC241236 BUTT | 2 | DR1218 BUTT | N/A | N/A | - | N/A | N/A |
| WCMSC271236 BUTT | 2 | DR1318 BUTT | N/A | N/A | - | N/A | N/A |
| WALL MICROWAVE - 36" HIGH | | | | | | | |
| WMC271836 BUTT | 2 | DR1315 BUTT | N/A | N/A | - | N/A | N/A |
| WMC272136 BUTT | 2 | DR1315 BUTT | N/A | N/A | - | N/A | N/A |
| WMC301836 BUTT | 2 | DR1515 BUTT | N/A | N/A | - | N/A | N/A |
| WMC302136 BUTT | 2 | DR1515 BUTT | N/A | N/A | - | N/A | N/A |
| WALL MICROWAVE - 36" HIGH | | | | | | | |
| WMSC271236 BUTT | 2 | DR1315 BUTT | N/A | N/A | - | N/A | N/A |
| WMSC271836 BUTT | 2 | DR1315 BUTT | N/A | N/A | - | N/A | N/A |
| WMSC301236 BUTT | 2 | DR1515 BUTT | N/A | N/A | - | N/A | N/A |
| WALL MICROWAVE - 39" HIGH | | | | | | | |
| WMC271839 BUTT | 2 | DR1318 BUTT | N/A | N/A | - | N/A | N/A |
| WMC272139 BUTT | 2 | DR1318 BUTT | N/A | N/A | - | N/A | N/A |
| WMC301839 BUTT | 2 | DR1518 BUTT | N/A | N/A | - | N/A | N/A |
| WMC302139 BUTT | 2 | DR1518 BUTT | N/A | N/A | - | N/A | N/A |
| WALL MICROWAVE - 42" HIGH | | | | | | | |
| WMC301842 BUTT | 2 | DR1521 BUTT | N/A | N/A | - | N/A | N/A |
| WMC302142 BUTT | 2 | DR1521 BUTT | N/A | N/A | - | N/A | N/A |
| WALL MICROWAVE - 42" HIGH | | | | | | | |
| WMSC271842 BUTT | 2 | DR1324 BUTT | N/A | N/A | 1 | WMSC2718 TOP SHELF | WMSC2718 TOPSHELFPLY |
| WALL RANGE HOOD - 24" HIGH | | | | | | | |
| WRH3024 RP / WRH3024 SV | 2 | DR1515 BUTT | N/A | N/A | - | N/A | N/A |
| WRH3624 RP / WRH3624 SV | 2 | DR1815 BUTT | N/A | N/A | - | N/A | N/A |
| WALL RANGE HOOD - 27" HIGH | | | | | | | |
| WRH3027 RP / WRH3027 SV | 2 | DR1518 BUTT | N/A | N/A | - | N/A | N/A |
| WRH3627 RP / WRH3627 SV | 2 | DR1818 BUTT | N/A | N/A | - | N/A | N/A |
| WALL RANGE HOOD - 30" HIGH | | | | | | | |
| WRH3030 RP / WRH3030 SV | 2 | DR1521 BUTT | N/A | N/A | - | N/A | N/A |
| WRH3630 RP / WRH3630 SV | 2 | DR1821 BUTT | N/A | N/A | - | N/A | N/A |

*For Matching Interior Adjustable Shelf, refer to Parts Directory Legend

| SKU | QTY | DRAWER FRONT | DRAWER BODY | |
|---|-----|--------------|-------------------------|---|
| | | PART NAME | essential 60, 63, 71 | select & luxury 61, 62, 64, 65, 72, 73 |
| | | | PART NAME | PART NAME |
| FURNITURE DRAWER • 12" DEEP • 6" HIGH | | | | |
| FD121206 | 1 | DDF12 | DRB12 X 9DP DT SG | DRB12 X 9DP DT FD |
| FD151206 | 1 | DDF15 | DRB15 X 9DP DT SG | DRB15 X 9DP DT FD |
| FD181206 | 1 | DDF18 | DRB18 X 9DP DT SG | DRB18 X 9DP DT FD |
| FD211206 | 1 | DDF21 | DRB21 X 9DP DT SG | DRB21 X 9DP DT FD |
| FD241206 | 1 | DDF24 | DRB24 X 9DP DT SG | DRB24 X 9DP DT FD |
| FD271206 | 1 | DDF27 | DRB27 X 9DP DT SG | DRB27 X 9DP DT FD |
| FD301206 | 1 | DDF30 | DRB30 X 9DP DT SG | DRB30 X 9DP DT FD |
| FD331206 | 1 | DDF33 | DRB33 X 9DP DT SG | DRB33 X 9DP DT FD |
| FD361206 | 1 | DDF36 | DRB36 X 9DP DT SG | DRB36 X 9DP DT FD |
| FURNITURE DRAWER • 24" DEEP • 6" HIGH | | | | |
| FD122406 | 1 | DDF12 | DRB12 X 21DP DT SG | DRB12 X 21DP DT FD |
| FD152406 | 1 | DDF15 | DRB15 X 21DP DT SG | DRB15 X 21DP DT FD |
| FD182406 | 1 | DDF18 | DRB18 X 21DP DT SG | DRB18 X 21DP DT FD |
| FD212406 | 1 | DDF21 | DRB21 X 21DP DT SG | DRB21 X 21DP DT FD |
| FD242406 | 1 | DDF24 | DRB24 X 21DP DT SG | DRB24 X 21DP DT FD |
| FD272406 | 1 | DDF27 | DRB27 X 21DP DT SG | DRB27 X 21DP DT FD |
| FD302406 | 1 | DDF30 | DRB30 X 21DP DT SG | DRB30 X 21DP DT FD |
| FD332406 | 1 | DDF33 | DRB33 X 21DP DT SG | DRB33 X 21DP DT FD |
| FD362406 | 1 | DDF36 | DRB36 X 21DP DT SG | DRB36 X 21DP DT FD |
| FURNITURE DRAWER • 12" DEEP • 12" HIGH | | | | |
| FD121212 | 1 | DDF12M | DRB12M X 9DP DT SG | DRB12M X 9DP DT FD |
| FD151212 | 1 | DDF15M | DRB15M X 9DP DT SG | DRB15M X 9DP DT FD |
| FD181212 | 1 | DDF18M | DRB18M X 9DP DT SG | DRB18M X 9DP DT FD |
| FD211212 | 1 | DDF21M | DRB21M X 9DP DT SG | DRB21M X 9DP DT FD |
| FD241212 | 1 | DDF24M | DRB24M X 9DP DT SG | DRB24M X 9DP DT FD |
| FD271212 | 1 | DDF27M | DRB27M X 9DP DT SG | DRB27M X 9DP DT FD |
| FD301212 | 1 | DDF30M | DRB30M X 9DP DT SG | DRB30M X 9DP DT FD |
| FD331212 | 1 | DDF33M | DRB33M X 9DP DT SG | DRB33M X 9DP DT FD |
| FD361212 | 1 | DDF36M | DRB36M X 9DP DT SG | DRB36M X 9DP DT FD |
| FURNITURE DRAWER • 24" DEEP • 12" HIGH | | | | |
| FD122412 | 1 | DDF12M | DRB12M X 21DP DT SG | DRB12M X 21DP DT FD |
| FD152412 | 1 | DDF15M | DRB15M X 21DP DT SG | DRB15M X 21DP DT FD |
| FD182412 | 1 | DDF18M | DRB18M X 21DP DT SG | DRB18M X 21DP DT FD |
| FD212412 | 1 | DDF21M | DRB21M X 21DP DT SG | DRB21M X 21DP DT FD |
| FD242412 | 1 | DDF24M | DRB24M X 21DP DT SG | DRB24M X 21DP DT FD |
| FD272412 | 1 | DDF27M | DRB27M X 21DP DT SG | DRB27M X 21DP DT FD |
| FD302412 | 1 | DDF30M | DRB30M X 21DP DT SG | DRB30M X 21DP DT FD |
| FD332412 | 1 | DDF33M | DRB33M X 21DP DT SG | DRB33M X 21DP DT FD |
| FD362412 | 1 | DDF36M | DRB36M X 21DP DT SG | DRB36M X 21DP DT FD |
| PEDESTAL DRAWER | | | | |
| PD1217 1DWR | 1 | DDF12M | DRB12M X 21DP DT SG | DRB12M X 21DP DT FD |
| PD1517 1DWR | 1 | DDF15M | DRB15M X 21DP DT SG | DRB15M X 21DP DT FD |
| PD1817 1DWR | 1 | DDF18M | DRB18M X 21DP DT SG | DRB18M X 21DP DT FD |
| PD2117 1DWR | 1 | DDF21M | DRB21M X 21DP DT SG | DRB21M X 21DP DT FD |
| PD2417 1DWR | 1 | DDF24M | DRB24M X 21DP DT SG | DRB24M X 21DP DT FD |
| PD2717 1DWR | 1 | DDF27M | DRB27M X 21DP DT SG | DRB27M X 21DP DT FD |
| PD3017 1DWR | 1 | DDF30M | DRB30M X 21DP DT SG | DRB30M X 21DP DT FD |
| PD3317 1DWR | 1 | DDF33M | DRB33M X 21DP DT SG | DRB33M X 21DP DT FD |
| PD3617 1DWR | 1 | DDF36M | DRB36M X 21DP DT SG | DRB36M X 21DP DT FD |

| SKU | QTY | DOOR | | ADJUSTABLE SHELF, DROT AND/OR ACCESSORY | | |
|--|-----|-------------|-----|---|----------------------|----------------------|
| | | PART NAME | QTY | essential 60, 63, 71 | select 61, 64, 72 | luxury 62, 65, 73 |
| | | | | *PART NAME | *PART NAME | *PART NAME |
| STANDARD BASE | | | | | | |
| B12 | 1 | DR1224 | 1 | 12" SHELF 3/4 | 12" SHELF 24DP 3/4 | 12" SHELF 24DP PLY |
| B15 | 1 | DR1524 | 1 | 15" SHELF 3/4 | 15" SHELF 24DP 3/4 | 15" SHELF 24DP PLY |
| B18 | 1 | DR1824 | 1 | 18" SHELF 3/4 | 18" SHELF 24DP 3/4 | 18" SHELF 24DP PLY |
| B21 | 1 | DR2124 | 1 | 21" SHELF 3/4 | 21" SHELF 24DP 3/4 | 21" SHELF 24DP PLY |
| B24 | 1 | DR2424 | 1 | 24" SHELF 3/4 | 24" SHELF 24DP 3/4 | 24" SHELF 24DP PLY |
| B24 BUTT | 2 | DR1224 BUTT | 1 | 24" SHELF 3/4 | 24" SHELF 24DP 3/4 | 24" SHELF 24DP PLY |
| B27 BUTT | 2 | DR1324 BUTT | 1 | 27" SHELF 3/4 | 27" SHELF 24DP 3/4 | 27" SHELF 24DP PLY |
| B30 BUTT | 2 | DR1524 BUTT | 1 | 30" SHELF 3/4 | 30" SHELF 24DP 3/4 | 30" SHELF 24DP PLY |
| B33 BUTT | 2 | DR1624 BUTT | 1 | 33" SHELF 3/4 | 33" SHELF 24DP 3/4 | 33" SHELF 24DP PLY |
| B36 1TD BUTT | 2 | DR1824 BUTT | 1 | 36" SHELF 3/4 | 36" SHELF 24DP 3/4 | 36" SHELF 24DP PLY |
| B39 | 2 | DR1924 | 1 | 39" SHELF 3/4 | 39" SHELF 24DP 3/4 | 39" SHELF 24DP PLY |
| B42 | 2 | DR2124 | 1 | 42" SHELF 3/4 | 42" SHELF 24DP 3/4 | 42" SHELF 24DP PLY |
| B45 | 3 | DR1524 | 1 | 45" SHELF 3/4 | 45" SHELF 24DP 3/4 | 45" SHELF 24DP PLY |
| B48 | 2 | DR2424 | 1 | 48" SHELF 3/4 | 48" SHELF 24DP 3/4 | 48" SHELF 24DP PLY |
| BASE WITH TWO DEEP ROLL OUT TRAYS | | | | | | |
| B12 2FWT | 1 | DR1224 | 2 | DROT12 | DROT12 | DROT12 |
| B15 2FWT | 1 | DR1524 | 2 | DROT15 | DROT15 | DROT15 |
| B18 2FWT | 1 | DR1824 | 2 | DROT18 | DROT18 | DROT18 |
| B21 2FWT | 1 | DR2124 | 2 | DROT21 | DROT21 | DROT21 |
| B24 2FWT | 1 | DR2424 | 2 | DROT24 | DROT24 | DROT24 |
| B24 2FWT BUTT | 2 | DR1224 BUTT | 2 | DROT24 | DROT24 | DROT24 |
| B27 2FWT BUTT | 2 | DR1324 BUTT | 2 | DROT27 | DROT27 | DROT27 |
| B30 2FWT BUTT | 2 | DR1524 BUTT | 2 | DROT30 | DROT30 | DROT30 |
| B33 2FWT BUTT | 2 | DR1624 BUTT | 2 | DROT33 | DROT33 | DROT33 |
| B36 1TD 2FWT BUTT | 2 | DR1824 BUTT | 2 | DROT36 | DROT36 | DROT36 |
| BASE WITH ROLL OUT TRAY DIVIDER | | | | | | |
| B12 ROTD | 1 | DR1224 | 1 | ROTDK12 | ROTDK12 | ROTDK12 |
| B15 ROTD | 1 | DR1524 | 1 | ROTDK15 | ROTDK15 | ROTDK15 |
| BASE WITH BOTTOM MOUNT WASTEBASKET(S) | | | | | | |
| BWBB15 | 1 | DR1524 ND | 1 | BWBB15 FOL KIT | BWBB15 FOL KIT | BWBB15 FOL KIT |
| BWBB15-2 | 1 | DR1524 ND | 1 | BWBB15-2 FOL KIT | BWBB15-2 FOL KIT | BWBB15-2 FOL KIT |
| BWBB18-2 | 1 | DR1824 ND | 1 | BWBB18-2 FOL KIT | BWBB18-2 FOL KIT | BWBB18-2 FOL KIT |
| BWBB21-2 | 1 | DR2124 ND | 1 | BWBB21-2 FOL KIT | BWBB21-2 FOL KIT | BWBB21-2 FOL KIT |
| BASE POT AND PAN ORGANIZER CABINET | | | | | | |
| B24 BPP0 | 1 | DR2424 | 1 | BPP0K24 | BPP0K24 | BPP0K24 |
| B24 BUTT BPP0 | 2 | DR1224 BUTT | 1 | BPP0K24 | BPP0K24 | BPP0K24 |
| B27 BUTT BPP0 | 2 | DR1324 BUTT | 1 | BPP0K27 | BPP0K27 | BPP0K27 |
| B30 BUTT BPP0 | 2 | DR1524 BUTT | 1 | BPP0K30 | BPP0K30 | BPP0K30 |
| B33 BUTT BPP0 | 2 | DR1624 BUTT | 1 | BPP0K33 | BPP0K33 | BPP0K33 |
| B36 1TD BUTT BPP0 | 2 | DR1824 BUTT | 1 | BPP0K36 | BPP0K36 | BPP0K36 |
| PENINSULA BASE | | | | | | |
| PB12 | 2 | DR1224 | 1 | 12" SHELF PB 3/4 | 12" SHELF PB 3/4 | 12" SHELF PB PLY |
| PB18 | 2 | DR1824 | 1 | 18" SHELF PB 3/4 | 18" SHELF PB 3/4 | 18" SHELF PB PLY |
| PB24 | 2 | DR2424 | 1 | 24" SHELF PB 3/4 | 24" SHELF PB 3/4 | 24" SHELF PB PLY |
| PB24 BUTT | 4 | DR1224 BUTT | 1 | 24" SHELF PB 3/4 | 24" SHELF PB 3/4 | 24" SHELF PB PLY |
| PB30 BUTT | 4 | DR1524 BUTT | 1 | 30" SHELF PB 3/4 | 30" SHELF PB 3/4 | 30" SHELF PB PLY |
| PB36 1TD BUTT | 4 | DR1824 BUTT | 1 | 36" SHELF PB 3/4 | 36" SHELF PB 3/4 | 36" SHELF PB PLY |
| PB42 | 4 | DR2124 | 1 | 42" SHELF PB 3/4 | 42" SHELF PB 3/4 | 42" SHELF PB PLY |

| SKU | QTY | DRAWER / PANEL FRONT | | DRAWER BODY | |
|--|-----|----------------------|-----|-------------------------|---|
| | | PART NAME | QTY | essential 60, 63, 71 | select & luxury 61, 62, 64, 65, 72, 73 |
| | | | | PART NAME | PART NAME |
| STANDARD BASE | | | | | |
| B12 | 1 | DDF12 | 1 | DRB12 X 18DP DT SG | DRB12 X 21DP DT FD |
| B15 | 1 | DDF15 | 1 | DRB15 X 18DP DT SG | DRB15 X 21DP DT FD |
| B18 | 1 | DDF18 | 1 | DRB18 X 18DP DT SG | DRB18 X 21DP DT FD |
| B21 | 1 | DDF21 | 1 | DRB21 X 18DP DT SG | DRB21 X 21DP DT FD |
| B24 | 1 | DDF24 | 1 | DRB24 X 18DP DT SG | DRB24 X 21DP DT FD |
| B24 BUTT | 1 | DDF24 | 1 | DRB24 X 18DP DT SG | DRB24 X 21DP DT FD |
| B27 BUTT | 1 | DDF27 | 1 | DRB27 X 18DP DT SG | DRB27 X 21DP DT FD |
| B30 BUTT | 1 | DDF30 | 1 | DRB30 X 18DP DT SG | DRB30 X 21DP DT FD |
| B33 BUTT | 1 | DDF33 | 1 | DRB33 X 18DP DT SG | DRB33 X 21DP DT FD |
| B36 1TD BUTT | 1 | DDF36 | 1 | DRB36 X 18DP DT SG | DRB36 X 21DP DT FD |
| B39 | 2 | DDF19 | 2 | DRB19 X 18DP DT SG | DRB19 X 21DP DT FD |
| B42 | 2 | DDF21 | 2 | DRB21 X 18DP DT SG | DRB21 X 21DP DT FD |
| B45 | 3 | DDF15 | 3 | DRB15 X 18DP DT SG | DRB15 X 21DP DT FD |
| B48 | 2 | DDF24 | 2 | DRB24 X 18DP DT SG | DRB24 X 21DP DT FD |
| BASE WITH TWO DEEP ROLL OUT TRAYS | | | | | |
| B12 2FWT | 1 | DDF12 | 1 | DRB12 X 18DP DT SG | DRB12 X 21DP DT FD |
| B15 2FWT | 1 | DDF15 | 1 | DRB15 X 18DP DT SG | DRB15 X 21DP DT FD |
| B18 2FWT | 1 | DDF18 | 1 | DRB18 X 18DP DT SG | DRB18 X 21DP DT FD |
| B21 2FWT | 1 | DDF21 | 1 | DRB21 X 18DP DT SG | DRB21 X 21DP DT FD |
| B24 2FWT | 1 | DDF24 | 1 | DRB24 X 18DP DT SG | DRB24 X 21DP DT FD |
| B24 2FWT BUTT | 1 | DDF24 | 1 | DRB24 X 18DP DT SG | DRB24 X 21DP DT FD |
| B27 2FWT BUTT | 1 | DDF27 | 1 | DRB27 X 18DP DT SG | DRB27 X 21DP DT FD |
| B30 2FWT BUTT | 1 | DDF30 | 1 | DRB30 X 18DP DT SG | DRB30 X 21DP DT FD |
| B33 2FWT BUTT | 1 | DDF33 | 1 | DRB33 X 18DP DT SG | DRB33 X 21DP DT FD |
| B36 1TD 2FWT BUTT | 1 | DDF36 | 1 | DRB36 X 18DP DT SG | DRB36 X 21DP DT FD |
| BASE WITH ROLL OUT TRAY DIVIDER | | | | | |
| B12 ROTD | 1 | DDF12 | 1 | DRB12 X 18DP DT SG | DRB12 X 21DP DT FD |
| B15 ROTD | 1 | DDF15 | 1 | DRB15 X 18DP DT SG | DRB15 X 21DP DT FD |
| BASE WITH BOTTOM MOUNT WASTEBASKET(S) | | | | | |
| BWBB15 | 1 | DDF15 | 1 | DRB15 X 21DP DT SG | DRB15 X 21DP DT FD |
| BWBB15-2 | 1 | DDF15 | 1 | DRB15 X 21DP DT SG | DRB15 X 21DP DT FD |
| BWBB18-2 | 1 | DDF18 | 1 | DRB18 X 21DP DT SG | DRB18 X 21DP DT FD |
| BWBB21-2 | 1 | DDF21 | 1 | DRB21 X 21DP DT SG | DRB21 X 21DP DT FD |
| BASE POT AND PAN ORGANIZER CABINET | | | | | |
| B24 BPP0 | 1 | DDF24 | 1 | DRB24 X 18DP DT SG | DRB24 X 21DP DT FD |
| B24 BUTT BPP0 | 1 | DDF24 | 1 | DRB24 X 18DP DT SG | DRB24 X 21DP DT FD |
| B27 BUTT BPP0 | 1 | DDF27 | 1 | DRB27 X 18DP DT SG | DRB27 X 21DP DT FD |
| B30 BUTT BPP0 | 1 | DDF30 | 1 | DRB30 X 18DP DT SG | DRB30 X 21DP DT FD |
| B33 BUTT BPP0 | 1 | DDF33 | 1 | DRB33 X 18DP DT SG | DRB33 X 21DP DT FD |
| B36 1TD BUTT BPP0 | 1 | DDF36 | 1 | DRB36 X 18DP DT SG | DRB36 X 21DP DT FD |

| SKU | QTY | DOOR | | ADJUSTABLE SHELF, DROT AND/OR ACCESSORY | | |
|--|-----|-------------|-----|---|-------------------------------|-------------------------------|
| | | PART NAME | QTY | essential 60, 63, 71 | select 61, 64, 72 | luxury 62, 65, 73 |
| | | | | *PART NAME | *PART NAME | *PART NAME |
| STANDARD BASE WITH CUTLERY DIVIDER | | | | | | |
| B15 CD | 1 | DR1524 | 1 | 15" SHELF 3/4 CDAK15 | 15" SHELF 24DP 3/4 CDAK15 | 15" SHELF 24DP PLY CDAK15 |
| B18 CD | 1 | DR1824 | 1 | 18" SHELF 3/4 CDAK18 | 18" SHELF 24DP 3/4 CDAK18 | 18" SHELF 24DP PLY CDAK18 |
| B21 CD | 1 | DR2124 | 1 | 21" SHELF 3/4 CDAK21 | 21" SHELF 24DP 3/4 CDAK21 | 21" SHELF 24DP PLY CDAK21 |
| B24 CD | 1 | DR2424 | 1 | 24" SHELF 3/4 CDAK24 | 24" SHELF 24DP 3/4 CDAK24 | 24" SHELF 24DP PLY CDAK24 |
| B24 BUTT CD | 2 | DR1224 BUTT | 1 | 24" SHELF 3/4 CDAK24 | 24" SHELF 24DP 3/4 CDAK24 | 24" SHELF 24DP PLY CDAK24 |
| B30 BUTT CD | 2 | DR1524 BUTT | 1 | 30" SHELF 3/4 CDAK30 | 30" SHELF 24DP 3/4 CDAK30 | 30" SHELF 24DP PLY CDAK30 |
| B36 1TD BUTT CD | 2 | DR1824 BUTT | 1 | 36" SHELF 3/4 CDAK36 | 36" SHELF 24DP 3/4 CDAK36 | 36" SHELF 24DP PLY CDAK36 |
| BASE WITH TWO DEEP ROLL OUT TRAYS AND CUTLERY DIVIDER | | | | | | |
| B15 2FWT CD | 1 | DR1524 | 2 | DROT15 CDAK15 | DROT15 CDAK15 | DROT15 CDAK15 |
| B18 2FWT CD | 1 | DR1824 | 2 | DROT18 CDAK18 | DROT18 CDAK18 | DROT18 CDAK18 |
| B21 2FWT CD | 1 | DR2124 | 2 | DROT21 CDAK21 | DROT21 CDAK21 | DROT21 CDAK21 |
| B24 2FWT CD | 1 | DR2424 | 2 | DROT24 CDAK24 | DROT24 CDAK24 | DROT24 CDAK24 |
| B24 2FWT BUTT CD | 2 | DR1224 BUTT | 2 | DROT24 CDAK24 | DROT24 CDAK24 | DROT24 CDAK24 |
| B30 2FWT BUTT CD | 2 | DR1524 BUTT | 1 | DROT30 CDAK30 | DROT30 CDAK30 | DROT30 CDAK30 |
| B36 1TD 2FWT BUTT CD | 2 | DR1824 BUTT | 1 | DROT36 CDAK36 | DROT36 CDAK36 | DROT36 CDAK36 |
| STANDARD BASE WITH FACTORY INSTALLED SPICE DRAWER INSERT | | | | | | |
| B15 SDI | 1 | DR1524 | 1 | 15" SHELF 3/4 SDIAK15 | 15" SHELF 24DP 3/4 SDIAK15 | 15" SHELF 24DP PLY SDIAK15 |
| B18 SDI | 1 | DR1824 | 1 | 18" SHELF 3/4 SDIAK18 | 18" SHELF 24DP 3/4 SDIAK18 | 18" SHELF 24DP PLY SDIAK18 |
| B21 SDI | 1 | DR2124 | 1 | 21" SHELF 3/4 SDIAK21 | 21" SHELF 24DP 3/4 SDIAK21 | 21" SHELF 24DP PLY SDIAK21 |
| B24 SDI | 1 | DR2424 | 1 | 24" SHELF 3/4 SDIAK24 | 24" SHELF 24DP 3/4 SDIAK24 | 24" SHELF 24DP PLY SDIAK24 |
| B24 BUTT SDI | 2 | DR1224 BUTT | 1 | 24" SHELF 3/4 SDIAK24 | 24" SHELF 24DP 3/4 SDIAK24 | 24" SHELF 24DP PLY SDIAK24 |
| BASE WITH TWO SLIDING SHELVES AND FACTORY INSTALLED SPICE DRAWER INSERT | | | | | | |
| B15 2FWT SDI | 1 | DR1524 | 2 | DROT15 SDIAK15 | DROT15 SDIAK15 | DROT15 SDIAK15 |
| B18 2FWT SDI | 1 | DR1824 | 2 | DROT18 SDIAK18 | DROT18 SDIAK18 | DROT18 SDIAK18 |
| B21 2FWT SDI | 1 | DR2124 | 2 | DROT21 SDIAK21 | DROT21 SDIAK21 | DROT21 SDIAK21 |
| B24 2FWT SDI | 1 | DR2424 | 2 | DROT24 SDIAK24 | DROT24 SDIAK24 | DROT24 SDIAK24 |
| B24 2FWT BUTT SDI | 2 | DR1224 BUTT | 2 | DROT24 SDIAK24 | DROT24 SDIAK24 | DROT24 SDIAK24 |
| STANDARD BASE WITH WOOD TIERED CUTLERY DIVIDER | | | | | | |
| B15 WTCD | 1 | DR1524 | 1 | 15" SHELF 3/4 | 15" SHELF 24DP 3/4 | 15" SHELF 24DP PLY |
| B18 WTCD | 1 | DR1824 | 1 | 18" SHELF 3/4 | 18" SHELF 24DP 3/4 | 18" SHELF 24DP PLY |
| B21 WTCD | 1 | DR2124 | 1 | 21" SHELF 3/4 | 21" SHELF 24DP 3/4 | 21" SHELF 24DP PLY |
| B24 WTCD | 1 | DR2424 | 1 | 24" SHELF 3/4 | 24" SHELF 24DP 3/4 | 24" SHELF 24DP PLY |
| B24 BUTT WTCD | 2 | DR1224 BUTT | 1 | 24" SHELF 3/4 | 24" SHELF 24DP 3/4 | 24" SHELF 24DP PLY |
| B30 BUTT WTCD | 2 | DR1524 BUTT | 1 | 30" SHELF 3/4 | 30" SHELF 24DP 3/4 | 30" SHELF 24DP PLY |
| B36 1TD BUTT WTCD | 2 | DR1824 BUTT | 1 | 36" SHELF 3/4 | 36" SHELF 24DP 3/4 | 36" SHELF 24DP PLY |

*For Matching Interior Adjustable Shelf, refer to Parts Directory Legend

| SKU | QTY | DRAWER / PANEL FRONT | | DRAWER BODY / ACCESSORY | |
|--|-----|----------------------|-----|-------------------------|---|
| | | PART NAME | QTY | essential 60, 63, 71 | select & luxury 61, 62, 64, 65, 72, 73 |
| | | | | PART NAME | PART NAME |
| PENINSULA BASE | | | | | |
| PB12 | 2 | DDF12 | 1 | DRB12 X 18DP DT SG | DRB12 X 21DP DT FD |
| PB18 | 2 | DDF18 | 1 | DRB18 X 18DP DT SG | DRB18 X 21DP DT FD |
| PB24 | 2 | DDF24 | 1 | DRB24 X 18DP DT SG | DRB24 X 21DP DT FD |
| PB24 BUTT | 2 | DDF24 | 1 | DRB24 X 18DP DT SG | DRB24 X 21DP DT FD |
| PB30 BUTT | 2 | DDF30 | 1 | DRB30 X 18DP DT SG | DRB30 X 21DP DT FD |
| PB36 1TD | 2 | DDF36 | 1 | DRB36 X 18DP DT SG | DRB36 X 21DP DT FD |
| PB42 | 4 | DDF21 | 1 | DRB21 X 18DP DT SG | DRB21 X 21DP DT FD |
| STANDARD BASE WITH CUTLERY DIVIDER | | | | | |
| B15 CD | 1 | DDF15 | 1 | DRB15 X 21DP DT FD | DRB15 X 21DP DT FD |
| B18 CD | 1 | DDF18 | 1 | DRB18 X 21DP DT FD | DRB18 X 21DP DT FD |
| B21 CD | 1 | DDF21 | 1 | DRB21 X 21DP DT FD | DRB21 X 21DP DT FD |
| B24 CD | 1 | DDF24 | 1 | DRB24 X 21DP DT FD | DRB24 X 21DP DT FD |
| B24 BUTT CD | 1 | DDF24 | 1 | DRB24 X 21DP DT FD | DRB24 X 21DP DT FD |
| B30 BUTT CD | 1 | DDF30 | 1 | DRB30 X 18DP DT SG | DRB30 X 21DP DT FD |
| B36 1TD BUTT CD | 1 | DDF36 | 1 | DRB36 X 18DP DT SG | DRB36 X 21DP DT FD |
| BASE WITH TWO DEEP ROLL OUT TRAYS AND CUTLERY DIVIDER | | | | | |
| B15 2FWT CD | 1 | DDF15 | 1 | DRB15 X 21DP DT FD | DRB15 X 21DP DT FD |
| B18 2FWT CD | 1 | DDF18 | 1 | DRB18 X 21DP DT FD | DRB18 X 21DP DT FD |
| B21 2FWT CD | 1 | DDF21 | 1 | DRB21 X 21DP DT FD | DRB21 X 21DP DT FD |
| B24 2FWT CD | 1 | DDF24 | 1 | DRB24 X 21DP DT FD | DRB24 X 21DP DT FD |
| B24 2FWT BUTT CD | 1 | DDF24 | 1 | DRB24 X 21DP DT FD | DRB24 X 21DP DT FD |
| B30 2FWT BUTT CD | 1 | DDF30 | 1 | DRB30 X 18DP DT SG | DRB30 X 21DP DT FD |
| B36 1TD 2FWT BUTT CD | 1 | DDF36 | 1 | DRB36 X 18DP DT SG | DRB36 X 21DP DT FD |
| STANDARD BASE WITH FACTORY INSTALLED SPICE DRAWER INSERT | | | | | |
| B15 SDI | 1 | DDF15 | 1 | DRB15 X 21DP DT FD | DRB15 X 21DP DT FD |
| B18 SDI | 1 | DDF18 | 1 | DRB18 X 21DP DT FD | DRB18 X 21DP DT FD |
| B21 SDI | 1 | DDF21 | 1 | DRB21 X 21DP DT FD | DRB21 X 21DP DT FD |
| B24 SDI | 1 | DDF24 | 1 | DRB24 X 21DP DT FD | DRB24 X 21DP DT FD |
| B24 BUTT SDI | 1 | DDF24 | 1 | DRB24 X 21DP DT FD | DRB24 X 21DP DT FD |
| BASE WITH TWO SLIDING SHELVES AND FACTORY INSTALLED SPICE DRAWER INSERT | | | | | |
| B15 2FWT SDI | 1 | DDF15 | 1 | DRB15 X 21DP DT FD | DRB15 X 21DP DT FD |
| B18 2FWT SDI | 1 | DDF18 | 1 | DRB18 X 21DP DT FD | DRB18 X 21DP DT FD |
| B21 2FWT SDI | 1 | DDF21 | 1 | DRB21 X 21DP DT FD | DRB21 X 21DP DT FD |
| B24 2FWT SDI | 1 | DDF24 | 1 | DRB24 X 21DP DT FD | DRB24 X 21DP DT FD |
| B24 2FWT BUTT SDI | 1 | DDF24 | 1 | DRB24 X 21DP DT FD | DRB24 X 21DP DT FD |

| SKU | QTY | DOOR | | ADJUSTABLE SHELF, DROT AND/OR ACCESSORY | | |
|--|-----|-------------|-----|---|----------------------|----------------------|
| | | PART NAME | QTY | essential 60, 63, 71 | select 61, 64, 72 | luxury 62, 65, 73 |
| | | | | *PART NAME | *PART NAME | *PART NAME |
| BASE WITH TWO DEEP ROLL OUT TRAYS AND WOOD TIERED CUTLERY DIVIDER | | | | | | |
| B15 2FWT WTCD | 1 | DR1524 | 2 | DROT15 | DROT15 | DROT15 |
| B18 2FWT WTCD | 1 | DR1824 | 2 | DROT18 | DROT18 | DROT18 |
| B21 2FWT WTCD | 1 | DR2124 | 2 | DROT21 | DROT21 | DROT21 |
| B24 2FWT WTCD | 1 | DR2424 | 2 | DROT24 | DROT24 | DROT24 |
| B24 2FWT BUTT WTCD | 2 | DR1224 BUTT | 2 | DROT24 | DROT24 | DROT24 |
| B30 2FWT BUTT WTCD | 2 | DR1524 BUTT | 2 | DROT30 | DROT30 | DROT30 |
| B36 1TD 2FWT BUTT WTCD | 2 | DR1824 BUTT | 2 | DROT36 | DROT36 | DROT36 |
| BLIND CORNER | | | | | | |
| BLB36/39 | 1 | DR1224 | 1 | 27" SHELF 3/4 | 27" SHELF 24DP 3/4 | 27" SHELF 24DP PLY |
| BLB39/42 | 1 | DR1524 | 1 | 33" SHELF 3/4 | 33" SHELF 24DP 3/4 | 33" SHELF 24DP PLY |
| BLB42/45 | 1 | DR1824 | 1 | 39" SHELF 3/4 | 39" SHELF 24DP 3/4 | 39" SHELF 24DP PLY |
| BLB45/48 | 1 | DR2124 | 1 | 45" SHELF 3/4 | 45" SHELF 24DP 3/4 | 45" SHELF 24DP PLY |
| BLB48/51 | 1 | DR2124 | 1 | 48" SHELF 3/4 | 48" SHELF 24DP 3/4 | 48" SHELF 24DP PLY |
| BLIND PENINSULA CORNER | | | | | | |
| PBC24 | 1 | DR2424 | 1 | 24" SHELF PB 3/4 | 24" SHELF PB 3/4 | 24" SHELF PB PLY |
| PBC24 BUTT | 2 | DR1224 BUTT | 1 | 24" SHELF PB 3/4 | 24" SHELF PB 3/4 | 24" SHELF PB PLY |
| DESK DOOR - 21" DEEP | | | | | | |
| DDOR1221 | 1 | DR1218 | 1 | 12" SHELF 3/4 | 12" SHELF 21DP 3/4 | 12" SHELF 21DP PLY |
| DDOR1521 | 1 | DR1518 | 1 | 15" SHELF 3/4 | 15" SHELF 21DP 3/4 | 15" SHELF 21DP PLY |
| DDOR1821 | 1 | DR1818 | 1 | 18" SHELF 3/4 | 18" SHELF 21DP 3/4 | 18" SHELF 21DP PLY |
| DDOR2121 | 1 | DR2118 | 1 | 21" SHELF 3/4 | 21" SHELF 21DP 3/4 | 21" SHELF 21DP PLY |
| DDOR2421 BUTT | 2 | DR1218 BUTT | 1 | 24" SHELF 3/4 | 24" SHELF 21DP 3/4 | 24" SHELF 21DP PLY |
| DESK DOOR - 24" DEEP | | | | | | |
| DDOR1224 | 1 | DR1218 | 1 | 12" SHELF 3/4 | 12" SHELF 24DP 3/4 | 12" SHELF 24DP PLY |
| DDOR1524 | 1 | DR1518 | 1 | 15" SHELF 3/4 | 15" SHELF 24DP 3/4 | 15" SHELF 24DP PLY |
| DDOR1824 | 1 | DR1818 | 1 | 18" SHELF 3/4 | 18" SHELF 24DP 3/4 | 18" SHELF 24DP PLY |
| DDOR2124 | 1 | DR2118 | 1 | 21" SHELF 3/4 | 21" SHELF 24DP 3/4 | 21" SHELF 24DP PLY |
| DDOR2424 BUTT | 2 | DR1218 BUTT | 1 | 24" SHELF 3/4 | 24" SHELF 24DP 3/4 | 24" SHELF 24DP PLY |

| SKU | QTY | DRAWER / PANEL FRONT | | DRAWER BODY / ACCESSORY | |
|--|-----|----------------------|-----|-------------------------|---|
| | | PART NAME | QTY | essential 60, 63, 71 | select & luxury 61, 62, 64, 65, 72, 73 |
| | | | | PART NAME | PART NAME |
| STANDARD BASE WITH WOOD TIERED CUTLERY DIVIDER | | | | | |
| B15 WTC | 1 | DDF15 | 1 | WTCDFD15 | WTCDFD15 |
| B18 WTC | 1 | DDF18 | 1 | WTCDFD18 | WTCDFD18 |
| B21 WTC | 1 | DDF21 | 1 | WTCDFD21 | WTCDFD21 |
| B24 WTC | 1 | DDF24 | 1 | WTCDFD24 | WTCDFD24 |
| B24 BUTT WTC | 1 | DDF24 | 1 | WTCDFD24 | WTCDFD24 |
| B30 BUTT WTC | 1 | DDF30 | 1 | WTCDFD30 | WTCDFD30 |
| B36 1TD BUTT WTC | 1 | DDF36 | 1 | WTCDFD36 | WTCDFD36 |
| BASE WITH TWO DEEP ROLL OUT TRAYS AND WOOD TIERED CUTLERY DIVIDER | | | | | |
| B15 2FWT WTC | 1 | DDF15 | 1 | WTCDFD15 | WTCDFD15 |
| B18 2FWT WTC | 1 | DDF18 | 1 | WTCDFD18 | WTCDFD18 |
| B21 2FWT WTC | 1 | DDF21 | 1 | WTCDFD21 | WTCDFD21 |
| B24 2FWT WTC | 1 | DDF24 | 1 | WTCDFD24 | WTCDFD24 |
| B24 2FWT BUTT WTC | 1 | DDF24 | 1 | WTCDFD24 | WTCDFD24 |
| B30 2FWT BUTT WTC | 1 | DDF30 | 1 | WTCDFD30 | WTCDFD30 |
| B36 1TD 2FWT BUTT WTC | 1 | DDF36 | 1 | WTCDFD36 | WTCDFD36 |
| BLIND CORNER | | | | | |
| BLB36/39 | 1 | DDF12 | 1 | DRB12 X 18DP DT SG | DRB12 X 21DP DT FD |
| BLB39/42 | 1 | DDF15 | 1 | DRB15 X 18DP DT SG | DRB15 X 21DP DT FD |
| BLB42/45 | 1 | DDF18 | 1 | DRB18 X 18DP DT SG | DRB18 X 21DP DT FD |
| BLB45/48 | 1 | DDF21 | 1 | DRB21 X 18DP DT SG | DRB21 X 21DP DT FD |
| BLB48/51 | 1 | DDF21 | 1 | DRB21 X 18DP DT SG | DRB21 X 21DP DT FD |
| BLIND PENINSULA CORNER | | | | | |
| PBC24 | 1 | DDF24 | 1 | DRB24 X 18DP DT SG | DRB24 X 21DP DT FD |
| PBC24 BUTT | 1 | DDF24 | 1 | DRB24 X 18DP DT SG | DRB24 X 21DP DT FD |
| DESK DOOR - 21" DEEP | | | | | |
| DDOR1221 | 1 | DDF12 | 1 | DRB12 X 18DP DT SG | DRB12 X 21DP DT FD |
| DDOR1521 | 1 | DDF15 | 1 | DRB15 X 18DP DT SG | DRB15 X 21DP DT FD |
| DDOR1821 | 1 | DDF18 | 1 | DRB18 X 18DP DT SG | DRB18 X 21DP DT FD |

| SKU | QTY | DOOR | | ADJUSTABLE SHELF, DROT AND/OR ACCESSORY | | |
|--|-----|-------------|-----|---|----------------------|----------------------|
| | | PART NAME | QTY | essential 60, 63, 71 | select 61, 64, 72 | luxury 62, 65, 73 |
| | | | | *PART NAME | *PART NAME | *PART NAME |
| FULL-HEIGHT BASE | | | | | | |
| TB9 | 1 | DR9FH | | N/A | N/A | N/A |
| B12 FH | 1 | DR12FH | 1 | 12" SHELF 3/4 | 12" SHELF 24DP 3/4 | 12" SHELF 24DP PLY |
| B15 FH | 1 | DR15FH | 1 | 15" SHELF 3/4 | 15" SHELF 24DP 3/4 | 15" SHELF 24DP PLY |
| B18 FH | 1 | DR18FH | 1 | 18" SHELF 3/4 | 18" SHELF 24DP 3/4 | 18" SHELF 24DP PLY |
| B21 FH | 1 | DR21FH | 1 | 21" SHELF 3/4 | 21" SHELF 24DP 3/4 | 21" SHELF 24DP PLY |
| B24 FH | 1 | DR24FH | 1 | 24" SHELF 3/4 | 24" SHELF 24DP 3/4 | 24" SHELF 24DP PLY |
| B24 BUTT FH | 2 | DR12BUTT FH | 1 | 24" SHELF 3/4 | 24" SHELF 24DP 3/4 | 24" SHELF 24DP PLY |
| B27 BUTT FH | 2 | DR13BUTT FH | 1 | 27" SHELF 3/4 | 27" SHELF 24DP 3/4 | 27" SHELF 24DP PLY |
| B30 BUTT FH | 2 | DR15BUTT FH | 1 | 30" SHELF 3/4 | 30" SHELF 24DP 3/4 | 30" SHELF 24DP PLY |
| B33 BUTT FH | 2 | DR16BUTT FH | 1 | 33" SHELF 3/4 | 33" SHELF 24DP 3/4 | 33" SHELF 24DP PLY |
| B36 BUTT FH | 2 | DR18BUTT FH | 1 | 36" SHELF 3/4 | 36" SHELF 24DP 3/4 | 36" SHELF 24DP PLY |
| FULL-HEIGHT BASE WITH ACCESSORY | | | | | | |
| TB9 TDS | 1 | DR9FH | 1 | 9" SHELF 24DP 3/4 | 9" SHELF 24DP 3/4 | 9" SHELF 24DP PLY |
| BTDP9 | 1 | DR9FH ND | 1 | BTDP9 KIT | BTDP9 KIT | BTDP9 KIT |
| BPP9 | 1 | DR9FH ND | 1 | BPP9 KIT | BPP9 KIT | BPP9 KIT |
| BPP12 | 1 | DR12FH ND | 1 | BPP12 KIT | BPP12 KIT | BPP12 KIT |
| BPPUS9 | 1 | DR9FH ND | 1 | BPPUS9 KIT | BPPUS9 KIT | BPPUS9 KIT |
| BPPUS12 | 1 | DR12FH ND | 1 | BPPUS12 KIT | BPPUS12 KIT | BPPUS12 KIT |
| FULL-HEIGHT BASE WITH TWO DEEP ROLL OUT TRAYS | | | | | | |
| B12 FH 2FWT | 1 | DR12FH | 2 | DROT12 | DROT12 | DROT12 |
| B15 FH 2FWT | 1 | DR15FH | 2 | DROT15 | DROT15 | DROT15 |
| B18 FH 2FWT | 1 | DR18FH | 2 | DROT18 | DROT18 | DROT18 |
| B21 FH 2FWT | 1 | DR21FH | 2 | DROT21 | DROT21 | DROT21 |
| B24 FH 2FWT | 1 | DR24FH | 2 | DROT24 | DROT24 | DROT24 |
| B24 BUTT FH 2FWT | 2 | DR12BUTT FH | 2 | DROT24 | DROT24 | DROT24 |
| B27 BUTT FH 2FWT | 2 | DR13BUTT FH | 2 | DROT27 | DROT27 | DROT27 |
| B30 BUTT FH 2FWT | 2 | DR15BUTT FH | 2 | DROT30 | DROT30 | DROT30 |
| B33 BUTT FH 2FWT | 2 | DR16BUTT FH | 2 | DROT33 | DROT33 | DROT33 |
| B36 BUTT FH 2FWT | 2 | DR18BUTT FH | 2 | DROT36 | DROT36 | DROT36 |
| FULL-HEIGHT BASE WITH FOUR DEEP ROLL OUT TRAYS | | | | | | |
| B12 FH 4FWT | 1 | DR12FH | 4 | DROT12 | DROT12 | DROT12 |
| B15 FH 4FWT | 1 | DR15FH | 4 | DROT15 | DROT15 | DROT15 |
| B18 FH 4FWT | 1 | DR18FH | 4 | DROT18 | DROT18 | DROT18 |
| B21 FH 4FWT | 1 | DR21FH | 4 | DROT21 | DROT21 | DROT21 |
| B24 FH 4FWT | 1 | DR24FH | 4 | DROT24 | DROT24 | DROT24 |
| B24 BUTT FH 4FWT | 2 | DR12BUTT FH | 4 | DROT24 | DROT24 | DROT24 |
| B27 BUTT FH 4FWT | 2 | DR13BUTT FH | 4 | DROT27 | DROT27 | DROT27 |
| B30 BUTT FH 4FWT | 2 | DR15BUTT FH | 4 | DROT30 | DROT30 | DROT30 |
| B33 BUTT FH 4FWT | 2 | DR16BUTT FH | 4 | DROT33 | DROT33 | DROT33 |
| B36 BUTT FH 4FWT | 2 | DR18BUTT FH | 4 | DROT36 | DROT36 | DROT36 |
| FULL-HEIGHT BASE MIXER LIFT | | | | | | |
| B18 FH MLK | 1 | DR21FH | 1 | BMLK18 | BMLK18 | BMLK18 |
| FULL-HEIGHT BASE WITH BOTTOM MOUNT WASTEBASKET(S) | | | | | | |
| BWBB15 FH | 1 | DR15FH ND | 1 | BWBB15 FH FOL KIT | BWBB15 FH FOL KIT | BWBB15 FH FOL KIT |
| BWBB18 FH | 1 | DR18FH ND | 1 | BWBB18 FH FOL KIT | BWBB18 FH FOL KIT | BWBB18 FH FOL KIT |
| BWBB21-2 FH | 1 | DR21FH ND | 1 | BWBB21-2 FH FOL KIT | BWBB21-2 FH FOL KIT | BWBB21-2 FH FOL KIT |
| FULL-HEIGHT BLIND BASE | | | | | | |
| BLB36/39 FH | 1 | DR12FH | 1 | 27" SHELF 3/4 | 27" SHELF 24DP 3/4 | 27" SHELF 24DP PLY |
| BLB39/42 FH | 1 | DR15FH | 1 | 33" SHELF 3/4 | 33" SHELF 24DP 3/4 | 33" SHELF 24DP PLY |
| BLB42/45 FH | 1 | DR18FH | 1 | 39" SHELF 3/4 | 39" SHELF 24DP 3/4 | 39" SHELF 24DP PLY |
| BLB45/48 FH | 1 | DR21FH | 1 | 45" SHELF 3/4 | 45" SHELF 24DP 3/4 | 45" SHELF 24DP PLY |
| BLB48/51 FH | 1 | DR21FH | 1 | 48" SHELF 3/4 | 48" SHELF 24DP 3/4 | 48" SHELF 24DP PLY |
| FULL-HEIGHT BLIND BASE - PULL OUT KIT | | | | | | |
| BLB45/48 FH POK | 1 | DR21FH | 1 | BLBPOK45 | BLBPOK45 | BLBPOK45 |
| BLB48/51 FH POK | 1 | DR21FH | 1 | BLBPOK45 | BLBPOK45 | BLBPOK45 |

| SKU | QTY | DOOR | | ADJUSTABLE SHELF, DROT AND/OR ACCESSORY | | |
|---|-----|-------------|-----|---|----------------------------------|----------------------|
| | | PART NAME | QTY | essential & select 60, 63, 71 | essential & select 60, 63, 71 | luxury 62, 65, 73 |
| | | | | *PART NAME | *PART NAME | *PART NAME |
| FULL-HEIGHT BLIND BASE - SWING OUT KIT | | | | | | |
| BLB45/48 FH SOKL | 1 | DR21FH | 1 | BLBSOK45L | BLBSOK45L | BLBSOK45L |
| BLB45/48 FH SOKR | 1 | DR21FH | 1 | BLBSOK45R | BLBSOK45R | BLBSOK45R |
| BLB48/51 FH SOKL | 1 | DR21FH | 1 | BLBSOK45L | BLBSOK45L | BLBSOK45L |
| BLB48/51 FH SOKR | 1 | DR21FH | 1 | BLBSOK45R | BLBSOK45R | BLBSOK45R |
| BASE END ANGLE | | | | | | |
| BEA12FH | 1 | DR15FH | 1 | BEA12 SHELF | BEA12 SHELF | BEA12 SHELF PLY |
| BEA24FH | 2 | DR18FH | 1 | BEA SHELF | BEA SHELF | BEA SHELF PLY |
| FULL-HEIGHT PENINSULA BASE | | | | | | |
| PB12 FH | 2 | DR12FH | 1 | 12" SHELF PB | 12" SHELF PB 3/4 | 12" SHELF PB PLY |
| PB18 FH | 2 | DR18FH | 1 | 18" SHELF PB | 18" SHELF PB 3/4 | 18" SHELF PB PLY |
| PB24 BUTT FH | 4 | DR12BUTT FH | 1 | 24" SHELF PB | 24" SHELF PB 3/4 | 24" SHELF PB PLY |
| PB30 BUTT FH | 4 | DR15BUTT FH | 1 | 30" SHELF PB | 30" SHELF PB 3/4 | 30" SHELF PB PLY |
| PB36 BUTT FH | 4 | DR18BUTT FH | 1 | 36" SHELF PB | 36" SHELF PB 3/4 | 36" SHELF PB PLY |

| SKU | QTY | DRAWER FRONT | | DRAWER BODY | |
|--|-----|--------------|---------------------|-------------------------|---|
| | | PART NAME | PART NAME | essential 60, 63, 71 | select & luxury 61, 62, 64, 65, 72, 73 |
| | | | | PART NAME | PART NAME |
| DESK FILE PULL OUT CABINET | | | | | |
| DFDC1821 | 1 | DDF18 | DRB18 X 18DP DT SG | DRB18 X 21DP DT FD | |
| | 1 | DR1818 ND | DRB18M X 18DP DT SG | DRB18M X 21DP DT FD | |
| | 1 | | DFDC FILE UNIT 21 | DFDC FILE UNIT 21 | |
| DFDC1824 | 1 | DDF18 | DRB18 X 18DP DT SG | DRB18 X 18DP DT FD | |
| | 1 | DR1818 ND | DRB18M X 18DP DT SG | DRB18M X 21DP DT FD | |
| | 1 | | DFDC FILE UNIT 24 | DFDC FILE UNIT 24 | |
| DESK WITH BOTTOM MOUNT WASTEBASKET(S) | | | | | |
| DWBB1821 | 1 | DR1824 ND | DWBB1821 FOL KIT | DWBB1821 FOL KIT | |
| DWBB1824 | 1 | DR1824 ND | DWBB1824 FOL KIT | DWBB1824 FOL KIT | |
| DESK DRAWER BASE CABINET - 21" DEEP | | | | | |
| DDR1221 | 2 | DDF12 | DRB12 X 18DP DT SG | DRB12 X 18DP DT FD | |
| | 1 | DDF12M | DRB12M X 18DP DT SG | DRB12M X 18DP DT FD | |
| DDR1521 | 2 | DDF15 | DRB15 X 18DP DT SG | DRB15 X 18DP DT FD | |
| | 1 | DDF15M | DRB15M X 18DP DT SG | DRB15M X 18DP DT FD | |
| DDR1821 | 2 | DDF18 | DRB18 X 18DP DT SG | DRB18 X 18DP DT FD | |
| | 1 | DDF18M | DRB18M X 18DP DT SG | DRB18M X 18DP DT FD | |
| DDR2121 | 2 | DDF21 | DRB21 X 18DP DT SG | DRB21 X 18DP DT FD | |
| | 1 | DDF21M | DRB21M X 18DP DT SG | DRB21M X 18DP DT FD | |
| DDR2421 | 2 | DDF24 | DRB24 X 18DP DT SG | DRB24 X 18DP DT FD | |
| | 1 | DDF24M | DRB24M X 18DP DT SG | DRB24M X 18DP DT FD | |
| DESK DRAWER BASE CABINET - 24" DEEP | | | | | |
| DDR1224 | 2 | DDF12 | DRB12 X 18DP DT SG | DRB12 X 21DP DT FD | |
| | 1 | DDF12M | DRB12M X 18DP DT SG | DRB12M X 21DP DT FD | |
| DDR1524 | 2 | DDF15 | DRB15 X 18DP DT SG | DRB15 X 21DP DT FD | |
| | 1 | DDF15M | DRB15M X 18DP DT SG | DRB15M X 21DP DT FD | |
| DDR1824 | 2 | DDF18 | DRB18 X 18DP DT SG | DRB18 X 21DP DT FD | |
| | 1 | DDF18M | DRB18M X 18DP DT SG | DRB18M X 21DP DT FD | |
| DDR2124 | 2 | DDF21 | DRB21 X 18DP DT SG | DRB21 X 21DP DT FD | |
| | 1 | DDF21M | DRB21M X 18DP DT SG | DRB21M X 21DP DT FD | |
| DDR2424 | 2 | DDF24 | DRB24 X 18DP DT SG | DRB24 X 21DP DT FD | |
| | 1 | DDF24M | DRB24M X 18DP DT SG | DRB24M X 21DP DT FD | |

| SKU | QTY | DRAWER FRONT | | DRAWER BODY | |
|--|-----|--------------|-------------------------|---|-----------|
| | | PART NAME | essential 60, 63, 71 | select & luxury 61, 62, 64, 65, 72, 73 | |
| | | | PART NAME | PART NAME | PART NAME |
| BUILT-IN BASE MICROWAVE CABINET | | | | | |
| BBMC24 | 1 | DDF24 | DRB21 X 18DP DT SG | DRB21 X 21DP DT FD | |
| BBMC27 | 1 | DDF27 | DRB24 X 18DP DT SG | DRB24 X 21DP DT FD | |
| BBMC30 | 1 | DDF30 | DRB27 X 18DP DT SG | DRB27 X 21DP DT FD | |
| BASE MICROWAVE CABINET | | | | | |
| BMC24 | 2 | DDF24 | DRB24 X 18DP DT SG | DRB24 X 21DP DT FD | |
| BMC27 | 2 | DDF27 | DRB27 X 18DP DT SG | DRB27 X 21DP DT FD | |
| BMC30 | 2 | DDF30 | DRB30 X 18DP DT SG | DRB30 X 21DP DT FD | |
| KNEEHOLE DRAWER CABINET | | | | | |
| KDC27/21 | 1 | DDFKDC27/21 | DRBKDC27X 15DP DT SG | DRBKDC27X 15DP DT FD | |
| KDC33/27 | 1 | DDFKDC33/27 | DRBKDC33X 15DP DT SG | DRBKDC33X 15DP DT FD | |
| KDC36/33 | 1 | DDFKDC36/33 | DRBKDC36X 15DP DT SG | DRBKDC36X 15DP DT FD | |
| BASE SPICE DRAWER CABINET | | | | | |
| BSDC6 | 5 | DDF SDC | DRB6 BSDC6 | DRB6 BSDC6 | |
| SPICE DRAWER CABINET | | | | | |
| SDC18 | 3 | DDF SDC | DRB6 SDC30 | DRB6 SDC30 | |
| SDC24 | 4 | DDF SDC | DRB6 SDC30 | DRB6 SDC30 | |
| SDC30 | 5 | DDF SDC | DRB6 SDC30 | DRB6 SDC30 | |
| SDC36 | 6 | DDF SDC | DRB6 SDC30 | DRB6 SDC30 | |
| TWO DRAWER BASE CABINET | | | | | |
| DB21 2DWR | 2 | DDF21 2DB | DRB21 HD X 21DPDTFD | DRB21 HD X 21DPDTFD | |
| DB24 2DWR | 2 | DDF24 2DB | DRB24 HD X 21DPDTFD | DRB24 HD X 21DPDTFD | |
| DB27 2DWR | 2 | DDF27 2DB | DRB27 HD X 21DPDTFD | DRB27 HD X 21DPDTFD | |
| DB30 2DWR | 2 | DDF30 2DB | DRB30 HD X 21DPDTFD | DRB30 HD X 21DPDTFD | |
| DB33 2DWR | 2 | DDF33 2DB | DRB33 HD X 21DPDTFD | DRB33 HD X 21DPDTFD | |
| DB36 2DWR | 2 | DDF36 2DB | DRB36 HD X 21DPDTFD | DRB36 HD X 21DPDTFD | |
| TWO DRAWER BASE CABINET WITH PEG DISH ORGANIZER | | | | | |
| DB21 2DWR PDO | 2 | DDF21 2DB | DRB21 HD X 21DPDTFD | DRB21 HD X 21DPDTFD | |
| DB24 2DWR PDO | 2 | DDF24 2DB | DRB24 HD X 21DPDTFD | DRB24 HD X 21DPDTFD | |
| DB27 2DWR PDO | 2 | DDF27 2DB | DRB27 HD X 21DPDTFD | DRB27 HD X 21DPDTFD | |
| DB30 2DWR PDO | 2 | DDF30 2DB | DRB30 HD X 21DPDTFD | DRB30 HD X 21DPDTFD | |
| DB33 2DWR PDO | 2 | DDF33 2DB | DRB33 HD X 21DPDTFD | DRB33 HD X 21DPDTFD | |
| DB36 2DWR PDO | 2 | DDF36 2DB | DRB36 HD X 21DPDTFD | DRB36 HD X 21DPDTFD | |
| TWO DRAWER BASE CABINET WITH SCALLOPED FULL WIDTH TRAY | | | | | |
| DB21 2DWR SFWT | 2 | DDF21 2DB | DRB21 HD X 21DPDTFD | DRB21 HD X 21DPDTFD | |
| | 1 | | SDROT21 | SDROT21 | |
| DB24 2DWR SFWT | 2 | DDF24 2DB | DRB24 HD X 21DPDTFD | DRB24 HD X 21DPDTFD | |
| | 1 | | SDROT24 | SDROT24 | |
| DB27 2DWR SFWT | 2 | DDF27 2DB | DRB27 HD X 21DPDTFD | DRB27 HD X 21DPDTFD | |
| | 1 | | SDROT27 | SDROT27 | |
| DB30 2DWR SFWT | 2 | DDF30 2DB | DRB30 HD X 21DPDTFD | DRB30 HD X 21DPDTFD | |
| | 1 | | SDROT30 | SDROT30 | |
| DB33 2DWR SFWT | 2 | DDF33 2DB | DRB33 HD X 21DPDTFD | DRB33 HD X 21DPDTFD | |
| | 1 | | SDROT33 | SDROT33 | |
| DB36 2DWR SFWT | 2 | DDF36 2DB | DRB36 HD X 21DPDTFD | DRB36 HD X 21DPDTFD | |
| | 1 | | SDROT36 | SDROT36 | |
| TWO DRAWER BASE CABINET WITH SCALLOPED FULL WIDTH TRAY & PEG DISH ORGANIZER | | | | | |
| DB21 2DWR SFWT PDO | 2 | DDF21 2DB | DRB21 HD X 21DPDTFD | DRB21 HD X 21DPDTFD | |
| | 1 | | SDROT21 | SDROT21 | |
| DB24 2DWR SFWT PDO | 2 | DDF24 2DB | DRB24 HD X 21DPDTFD | DRB24 HD X 21DPDTFD | |
| | 1 | | SDROT24 | SDROT24 | |
| DB27 2DWR SFWT PDO | 2 | DDF27 2DB | DRB27 HD X 21DPDTFD | DRB27 HD X 21DPDTFD | |
| | 1 | | SDROT27 | SDROT27 | |
| DB30 2DWR SFWT PDO | 2 | DDF30 2DB | DRB30 HD X 21DPDTFD | DRB30 HD X 21DPDTFD | |
| | 1 | | SDROT30 | SDROT30 | |
| DB33 2DWR SFWT PDO | 2 | DDF33 2DB | DRB33 HD X 21DPDTFD | DRB33 HD X 21DPDTFD | |
| | 1 | | SDROT33 | SDROT33 | |
| DB36 2DWR SFWT PDO | 2 | DDF36 2DB | DRB36 HD X 21DPDTFD | DRB36 HD X 21DPDTFD | |
| | 1 | | SDROT36 | SDROT36 | |

| SKU | QTY | DRAWER FRONT | | DRAWER BODY | |
|---|-----|--------------|-------------------------|---|--|
| | | PART NAME | essential 60, 63, 71 | select & luxury 61, 62, 64, 65, 72, 73 | |
| | | | PART NAME | PART NAME | |
| THREE DRAWER BASE CABINET | | | | | |
| DB12 | 1 | DDF12 | DRB12 X 18DP DT SG | DRB12 X 21DP DT FD | |
| | 2 | DDF12M | DRB12M X 18DP DT SG | DRB12M X 21DP DT FD | |
| DB15 | 1 | DDF15 | DRB15 X 18DP DT SG | DRB15 X 21DP DT FD | |
| | 2 | DDF15M | DRB15M X 18DP DT SG | DRB15M X 21DP DT FD | |
| DB18 | 1 | DDF18 | DRB18 X 18DP DT SG | DRB18 X 21DP DT FD | |
| | 2 | DDF18M | DRB18M X 18DP DT SG | DRB18M X 21DP DT FD | |
| DB21 | 1 | DDF21 | DRB21 X 18DP DT SG | DRB21 X 21DP DT FD | |
| | 2 | DDF21M | DRB21M X 18DP DT SG | DRB21M X 21DP DT FD | |
| DB24 | 1 | DDF24 | DRB24 X 18DP DT SG | DRB24 X 21DP DT FD | |
| | 2 | DDF24M | DRB24M X 18DP DT SG | DRB24M X 21DP DT FD | |
| DB27 | 1 | DDF27 | DRB27 X 18DP DT SG | DRB27 X 21DP DT FD | |
| | 2 | DDF27M | DRB27M X 18DP DT SG | DRB27M X 21DP DT FD | |
| DB30 | 1 | DDF30 | DRB30 X 18DP DT SG | DRB30 X 21DP DT FD | |
| | 2 | DDF30M | DRB30M X 18DP DT SG | DRB30M X 21DP DT FD | |
| DB33 | 1 | DDF33 | DRB33 X 18DP DT SG | DRB33 X 21DP DT FD | |
| | 2 | DDF33M | DRB33M X 18DP DT SG | DRB33M X 21DP DT FD | |
| DB36 1TD | 1 | DDF36 | DRB36 X 18DP DT SG | DRB36 X 21DP DT FD | |
| | 2 | DDF36M | DRB36M X 18DP DT SG | DRB36M X 21DP DT FD | |
| THREE DRAWER BASE CABINET WITH FACTORY INSTALLED CUTLERY DIVIDER | | | | | |
| DB15 CD | 1 | DDF15 | DRB15 X 21DP DT FD | DRB15 X 21DP DT FD | |
| | 2 | DDF15M | DRB15M X 18DP DT SG | DRB15M X 21DP DT FD | |
| DB18 CD | 1 | DDF18 | DRB18 X 21DP DT FD | DRB18 X 21DP DT FD | |
| | 2 | DDF18M | DRB18M X 18DP DT SG | DRB18M X 21DP DT FD | |
| DB21 CD | 1 | DDF21 | DRB21 X 21DP DT FD | DRB21 X 21DP DT FD | |
| | 2 | DDF21M | DRB21M X 18DP DT SG | DRB21M X 21DP DT FD | |
| DB24 CD | 1 | DDF24 | DRB24 X 21DP DT FD | DRB24 X 21DP DT FD | |
| | 2 | DDF24M | DRB24M X 18DP DT SG | DRB24M X 21DP DT FD | |
| DB30 CD | 1 | DDF30 | DRB30 X 21DP DT FD | DRB30 X 21DP DT FD | |
| | 2 | DDF30M | DRB30M X 18DP DT SG | DRB30M X 21DP DT FD | |
| DB36 1TD CD | 1 | DDF36 | DRB36 X 21DP DT FD | DRB36 X 21DP DT FD | |
| | 2 | DDF36M | DRB36M X 18DP DT SG | DRB36M X 21DP DT FD | |
| THREE DRAWER BASE WITH FACTORY INSTALLED SPICE DRAWER | | | | | |
| DB15 SDI | 1 | DDF15 | DRB15 X 21DP DT FD | DRB15 X 21DP DT FD | |
| | 2 | DDF15M | DRB15M X 18DP DT SG | DRB15M X 21DP DT FD | |
| DB18 SDI | 1 | DDF18 | DRB18 X 21DP DT FD | DRB18 X 21DP DT FD | |
| | 2 | DDF18M | DRB18M X 18DP DT SG | DRB18M X 21DP DT FD | |
| DB21 SDI | 1 | DDF21 | DRB21 X 21DP DT FD | DRB21 X 21DP DT FD | |
| | 2 | DDF21M | DRB21M X 18DP DT SG | DRB21M X 21DP DT FD | |
| DB24 SDI | 1 | DDF24 | DRB24 X 21DP DT FD | DRB24 X 21DP DT FD | |
| | 2 | DDF24M | DRB24M X 18DP DT SG | DRB24M X 21DP DT FD | |
| THREE DRAWER BASE CABINET WITH FACTORY INSTALLED WOOD TIERED CUTLERY DIVIDER | | | | | |
| DB15 WTC | 1 | DDF15 | WTCDFD15 | WTCDFD15 | |
| | 2 | DDF15M | DRB15M X 18DP DT SG | DRB15M X 21DP DT FD | |
| DB18 WTC | 1 | DDF18 | WTCDFD18 | WTCDFD18 | |
| | 2 | DDF18M | DRB18M X 18DP DT SG | DRB18M X 21DP DT FD | |
| DB21 WTC | 1 | DDF21 | WTCDFD21 | WTCDFD21 | |
| | 2 | DDF21M | DRB21M X 18DP DT SG | DRB21M X 21DP DT FD | |
| DB24 WTC | 1 | DDF24 | WTCDFD24 | WTCDFD24 | |
| | 2 | DDF24M | DRB24M X 18DP DT SG | DRB24M X 21DP DT FD | |
| DB30 WTC | 1 | DDF30 | WTCDFD30 | WTCDFD30 | |
| | 2 | DDF30M | DRB30M X 18DP DT SG | DRB30M X 21DP DT FD | |
| DB36 1TD WTC | 1 | DDF36 | WTCDFD36 | WTCDFD36 | |
| | 2 | DDF36M | DRB36M X 18DP DT SG | DRB36M X 21DP DT FD | |

| SKU | QTY | DRAWER FRONT | DRAWER BODY | |
|---------------------------------|-----|--------------|-------------------------|---|
| | | PART NAME | essential 60, 63, 71 | select & luxury 61, 62, 64, 65, 72, 73 |
| | | | PART NAME | PART NAME |
| FOUR DRAWER BASE CABINET | | | | |
| DB12 4DWR | 3 | DDF12 | DRB12 X 18DP DT SG | DRB12 X 21DP DT FD |
| | 1 | DDF12M | DRB12M X 18DP DT SG | DRB12M X 21DP DT FD |
| DB15 4DWR | 3 | DDF15 | DRB15 X 18DP DT SG | DRB15 X 21DP DT FD |
| | 1 | DDF15M | DRB15M X 18DP DT SG | DRB15M X 21DP DT FD |
| DB18 4DWR | 3 | DDF18 | DRB18 X 18DP DT SG | DRB18 X 21DP DT FD |
| | 1 | DDF18M | DRB18M X 18DP DT SG | DRB18M X 21DP DT FD |
| DB21 4DWR | 3 | DDF21 | DRB21 X 18DP DT SG | DRB21 X 21DP DT FD |
| | 1 | DDF21M | DRB21M X 18DP DT SG | DRB21M X 21DP DT FD |
| DB24 4DWR | 3 | DDF24 | DRB24 X 18DP DT SG | DRB24 X 21DP DT FD |
| | 1 | DDF24M | DRB24M X 18DP DT SG | DRB24M X 21DP DT FD |

| SKU | QTY | DRAWER FRONT | DRAWER BODY | | |
|--|-----|--------------|-------------------------|-----|---|
| | | PART NAME | essential 60, 63, 71 | QTY | select & luxury 61, 62, 64, 65, 72, 73 |
| | | | PART NAME | | PART NAME |
| FOUR DRAWER BASE CABINET WITH FACTORY INSTALLED CUTLERY DIVIDER | | | | | |
| DB15 4DWR CD | 1 | DDF15 | DRB15 X 21DP DT FD | - | - |
| | 2 | DDF15 | DRB15 X 18DP DT SG | 3 | DRB15 X 21DP DT FD |
| | 1 | DDF15M | DRB15M X 18DP DT SG | 1 | DRB15M X 21DP DT FD |
| DB18 4DWR CD | 1 | DDF18 | DRB18 X 21DP DT FD | - | - |
| | 2 | DDF18 | DRB18 X 18DP DT SG | 3 | DRB18 X 21DP DT FD |
| | 1 | DDF18M | DRB18M X 18DP DT SG | 1 | DRB18M X 21DP DT FD |
| DB21 4DWR CD | 1 | DDR21 | DRB21 X 21DP DT FD | - | - |
| | 2 | DDF21 | DRB21 X 18DP DT SG | 3 | DRB21 X 21DP DT FD |
| | 1 | DDF21M | DRB21M X 18DP DT SG | 1 | DRB21M X 21DP DT FD |
| DB24 4DWR CD | 1 | DDF24 | DRB24 X 21DP DT FD | - | - |
| | 2 | DDF24 | DRB24 X 18DP DT SG | 3 | DRB24 X 21DP DT FD |
| | 1 | DDF24M | DRB24M X 18DP DT SG | 1 | DRB24M X 21DP DT FD |
| FOUR DRAWER BASE WITH FACTORY INSTALLED SPICE DRAWER INSERT | | | | | |
| DB15 4DWR SDI | 3 | DDF15 | DRB15 X 21DP DT FD | - | - |
| | 1 | DDF15M | DRB15 X 18DP DT SG | 3 | DRB15 X 21DP DT FD |
| | 1 | DDF15M | DRB15M X 18DP DT SG | 1 | DRB15M X 21DP DT FD |
| DB18 4DWR SDI | 3 | DDF18 | DRB18 X 21DP DT FD | - | - |
| | 1 | DDF18M | DRB18 X 18DP DT SG | 3 | DRB18 X 21DP DT FD |
| | 1 | DDF18M | DRB18M X 18DP DT SG | 1 | DRB18M X 21DP DT FD |
| DB21 4DWR SDI | 3 | DDF21 | DRB21 X 21DP DT FD | - | - |
| | 1 | DDF21M | DRB21 X 18DP DT SG | 3 | DRB21 X 21DP DT FD |
| | 1 | DDF21M | DRB21M X 18DP DT SG | 1 | DRB21M X 21DP DT FD |
| DB24 4DWR SDI | 3 | DDF24 | DRB24 X 21DP DT FD | - | - |
| | 1 | DDF24M | DRB24 X 18DP DT SG | 3 | DRB24 X 21DP DT FD |
| | 1 | DDF24M | DRB24M X 18DP DT SG | 1 | DRB24M X 21DP DT FD |
| FOUR DRAWER BASE CABINET WITH FACTORY INSTALLED WOOD TIERED CUTLERY DIVIDER | | | | | |
| DB15 4DWR WTCD | 1 | DDF15 | WTCDFD15 | 1 | WTCDFD15 |
| | 2 | DDF15 | DRB15 X 18DP DT SG | 2 | DRB15 X 21DP DT FD |
| | 1 | DDF15M | DRB15M X 18DP DT SG | 1 | DRB15M X 21DP DT FD |
| DB18 4DWR WTCD | 1 | DDF18 | WTCDFD18 | 1 | WTCDFD18 |
| | 2 | DDF18 | DRB18 X 18DP DT SG | 2 | DRB18 X 21DP DT FD |
| | 1 | DDF18M | DRB18M X 18DP DT SG | 1 | DRB18M X 21DP DT FD |
| DB21 4DWR WTCD | 1 | DDF21 | WTCDFD21 | 1 | WTCDFD21 |
| | 2 | DDF21 | DRB21 X 18DP DT SG | 2 | DRB21 X 21DP DT FD |
| | 1 | DDF21M | DRB21M X 18DP DT SG | 1 | DRB21M X 21DP DT FD |
| DB24 4DWR WTCD | 1 | DDF24 | WTCDFD24 | 1 | WTCDFD24 |
| | 2 | DDF24 | DRB24 X 18DP DT SG | 2 | DRB24 X 21DP DT FD |
| | 1 | DDF24M | DRB24M X 18DP DT SG | 1 | DRB24M X 21DP DT FD |

*For Matching Interior Adjustable Shelf, refer to Parts Directory Legend

| SKU | QTY | DOOR | QTY | DRAWER FRONT / PANEL |
|--|-----|-------------|-----|----------------------|
| | | PART NAME | | PART NAME |
| CORNER SINK BASE | | | | |
| CSB36 | 1 | DR1524 | 1 | DDF15 |
| CORNER SINK FRONT | | | | |
| CSF36 | 1 | DR1524 | 1 | DDF15 |
| CSF42 | 1 | DR2424 | 1 | DDF24 |
| SINK/COOKTOP BASE AND FRONT | | | | |
| SF12 | 1 | DR1224 | 1 | DDF12 |
| SF15 | 1 | DR1524 | 1 | DDF15 |
| SB18 / SF18 | 1 | DR1824 | 1 | DDF18 |
| SB21 / SF21 | 1 | DR2124 | 1 | DDF21 |
| SB24 / SF24 | 1 | DR2424 | 1 | DDF24 |
| SB24 BUTT / SF24 BUTT | 2 | DR1224 BUTT | 1 | DDF24 |
| SB27 BUTT / SF27 BUTT | 2 | DR1324 BUTT | 1 | DDF27 |
| SB30 BUTT / SF30 BUTT | 2 | DR1524 BUTT | 1 | DDF30 |
| SB33 BUTT / SF33 BUTT | 2 | DR1624 BUTT | 1 | DDF33 |
| SB36 BUTT / SF36 BUTT | 2 | DR1824 BUTT | 1 | DDF36 |
| SB39 / SF39 | 2 | DR1924 | 2 | DDF19 |
| SB42 / SF42 | 2 | DR2124 | 2 | DDF21 |
| SB45 / SF45 | 3 | DR1524 | 3 | DDF15 |
| SB48 / SF48 | 2 | DR2424 | 2 | DDF24 |
| SINK BASE WITH FACTORY INSTALLED TILT-OUT TRAY(S) | | | | |
| SB18 STO | 1 | DR1824 | 1 | DDF18 DRILL |
| SB21 STO | 1 | DR2124 | 1 | DDF21 DRILL |
| SB24 STO | 1 | DR2424 | 1 | DDF24 DRILL |
| SB24 BUTT STO | 2 | DR1224 BUTT | 1 | DDF24 DRILL |
| SB27 BUTT STO | 2 | DR1324 BUTT | 1 | DDF27 DRILL |
| SB30 BUTT STO | 2 | DR1524 BUTT | 1 | DDF30 DRILL |
| SB33 BUTT STO | 2 | DR1624 BUTT | 1 | DDF33 DRILL |
| SB36 BUTT STO | 2 | DR1824 BUTT | 1 | DDF36 DRILL |
| SB39 STO | 2 | DR1924 | 2 | DDF19 DRILL |
| SB42 STO | 2 | DR2124 | 2 | DDF21 DRILL |
| SB48 STO | 2 | DR2424 | 2 | DDF24 DRILL |
| SINK BASE MULTI-STORAGE CABINET | | | | |
| SBMSC30 BUTT STO | 2 | DR1524 BUTT | 1 | DDF30 DRILL |
| SBMSC36 BUTT STO | 2 | DR1824 BUTT | 1 | DDF36 DRILL |
| DEEP SINK/RANGE BASE | | | | |
| DSB30 BUTT | 2 | DR1521 BUTT | - | N/A |
| DSB33 BUTT | 2 | DR1621 BUTT | - | N/A |
| DSB36 BUTT | 2 | DR1821 BUTT | - | N/A |
| DSB39 | 2 | DR1921 BUTT | - | N/A |

| SKU | QTY | DOOR | QTY | SPIN UNIT |
|--------------------|-----|------------------|-----|----------------------|
| | | PART NAME | | PART NAME |
| CORNER BASE | | | | |
| BER33 (L/R) | 1 | DR930 BER DRILL | - | N/A |
| | 1 | DR930 BER ND | | |
| BER3336L | 1 | DR930 BER DRILL | - | N/A |
| | 1 | DR1230 BER ND | | |
| BER3336R | 1 | DR1230 BER DRILL | - | N/A |
| | 1 | DR930 BER ND | | |
| BER36 (L/R) | 1 | DR1230 BER DRILL | - | N/A |
| | 1 | DR1230 BER ND | | |
| BER3633L | 1 | DR1230 BER DRILL | - | N/A |
| | 1 | DR930 BER ND | | |
| BER3633R | 1 | DR930 BER DRILL | - | N/A |
| | 1 | DR1230 BER ND | | |
| BSS33 (L/R) WD | 1 | DR930 BER DRILL | 2 | BSS33 SHLF WD NP PLY |
| | 1 | DR930 BER ND | | |
| BSS3336L WD | 1 | DR930 BER DRILL | 2 | BSS3336 SHLFWDNP PLY |
| | 1 | DR1230 BER ND | | |
| BSS3336R WD | 1 | DR1230 BER DRILL | 2 | BSS3336 SHLFWDNP PLY |
| | 1 | DR930 BER ND | | |
| BSS36 (L/R) WD | 1 | DR1230 BER DRILL | 2 | BSS36 SHLF WD NP PLY |
| | 1 | DR1230 BER ND | | |
| BSS3633L WD | 1 | DR1230 BER DRILL | 2 | BSS3633 SHLFWDNP PLY |
| | 1 | DR930 BER ND | | |
| BSS3633R WD | 1 | DR930 BER DRILL | 2 | BSS3633 SHLFWDNP PLY |
| | 1 | DR1230 BER ND | | |
| CAR36 (L/R) WD | 1 | DR1230 BER DRILL | 2 | CAR36 SHELF WD |
| | 1 | DR1230 BER ND | 1 | BSSCWSCAR T-SHAFT FE |
| | | | 1 | WOOD SPIN SHELF HDW |
| CBS36 WD | 1 | DRCBS36 | 2 | CBS36 SHLF WD NP PLY |

*For Matching Interior Adjustable Shelf, refer to Parts Directory Legend

| SKU | QTY | DOOR | SPECIALTY DOOR | GLASS INSERT | QTY | ADJUSTABLE SHELF / DROT |
|--|-----|-------------|----------------|---------------|-----|-------------------------|
| | | PART NAME | PART NAME | PART NAME | | *PART NAME |
| UTILITY WITH ADJUSTABLE SHELVES - 24" DEEP X 84" HIGH | | | | | | |
| UT1224 X 84 AS | 1 | DR1230 | DR1230 SD | DGI-1230 | 5 | S1224 |
| | 1 | DR1250 | | | | |
| UT1524 X 84 AS | 1 | DR1530 | DR1530 SD | DGI-1530 | 5 | S1524 |
| | 1 | DR1550 | | | | |
| UT1824 X 84 AS | 1 | DR1830 | DR1830 SD | DGI-1830 | 5 | S1824 |
| | 1 | DR1850 | | | | |
| UT2124 X 84 AS | 1 | DR2130 | DR2130 SD | DGI-2130 | 5 | S2124 |
| | 1 | DR2150 | | | | |
| UT2424 X 84 AS BUTT | 2 | DR1230 BUTT | DR1230 BUTT SD | DGI-1230 BUTT | 5 | S2424 |
| | 2 | DR1250 BUTT | | | | |
| UT2724 X 84 AS BUTT | 2 | DR1330 BUTT | DR1330 BUTT SD | DGI-1330 BUTT | 5 | S2724 |
| | 2 | DR1350 BUTT | | | | |
| UT3024 X 84 AS BUTT | 2 | DR1530 BUTT | DR1530 BUTT SD | DGI-1530 BUTT | 5 | S3024 |
| | 2 | DR1550 BUTT | | | | |
| UT3324 X 84 AS BUTT | 2 | DR1630 BUTT | DR1630 BUTT SD | DGI-1630 BUTT | 5 | S3324 |
| | 2 | DR1650 BUTT | | | | |
| UT3624 X 84 AS BUTT | 2 | DR1830 BUTT | DR1830 BUTT SD | DGI-1830 BUTT | 5 | S3624 |
| | 2 | DR1850 BUTT | | | | |
| UTILITY WITH ADJUSTABLE SHELVES - 24" DEEP X 90" HIGH | | | | | | |
| UT1224 X 90 AS | 1 | DR1236 | DR1236 SD | DGI-1236 | 6 | S1224 |
| | 1 | DR1250 | | | | |
| UT1524 X 90 AS | 1 | DR1536 | DR1536 SD | DGI-1536 | 6 | S1524 |
| | 1 | DR1550 | | | | |
| UT1824 X 90 AS | 1 | DR1836 | DR1836 SD | DGI-1836 | 6 | S1824 |
| | 1 | DR1850 | | | | |
| UT2124 X 90 AS | 1 | DR2136 | DR2136 SD | DGI-2136 | 6 | S2124 |
| | 1 | DR2150 | | | | |
| UT2424 X 90 AS BUTT | 2 | DR1236 BUTT | DR1236 BUTT SD | DGI-1236 BUTT | 6 | S2424 |
| | 2 | DR1250 BUTT | | | | |
| UT2724 X 90 AS BUTT | 2 | DR1336 BUTT | DR1336 BUTT SD | DGI-1336 BUTT | 6 | S2724 |
| | 2 | DR1350 BUTT | | | | |
| UT3024 X 90 AS BUTT | 2 | DR1536 BUTT | DR1536 BUTT SD | DGI-1536 BUTT | 6 | S3024 |
| | 2 | DR1550 BUTT | | | | |
| UT3324 X 90 AS BUTT | 2 | DR1636 BUTT | DR1636 BUTT SD | DGI-1636 BUTT | 6 | S3324 |
| | 2 | DR1650 BUTT | | | | |
| UT3624 X 90 AS BUTT | 2 | DR1836 BUTT | DR1836 BUTT SD | DGI-1836 BUTT | 6 | S3624 |
| | 2 | DR1850 BUTT | | | | |
| UTILITY WITH ADJUSTABLE SHELVES - 24" DEEP X 93" HIGH | | | | | | |
| UT1224 X 93 AS | 1 | DR1239 | DR1239 SD | DGI-1239 | 7 | S1224 |
| | 1 | DR1250 | | | | |
| UT1524 X 93 AS | 1 | DR1539 | DR1539 SD | DGI-1539 | 7 | S1524 |
| | 1 | DR1550 | | | | |
| UT1824 X 93 AS | 1 | DR1839 | DR1839 SD | DGI-1839 | 7 | S1824 |
| | 1 | DR1850 | | | | |
| UT2124 X 93 AS | 1 | DR2139 | DR2139 SD | DGI-2139 | 7 | S2124 |
| | 1 | DR2150 | | | | |
| UT2424 X 93 AS BUTT | 2 | DR1239 BUTT | DR1239 BUTT SD | DGI-1239 BUTT | 7 | S2424 |
| | 2 | DR1250 BUTT | | | | |
| UT2724 X 93 AS BUTT | 2 | DR1339 BUTT | DR1339 BUTT SD | DGI-1339 BUTT | 7 | S2724 |
| | 2 | DR1350 BUTT | | | | |
| UT3024 X 93 AS BUTT | 2 | DR1539 BUTT | DR1539 BUTT SD | DGI-1539 BUTT | 7 | S3024 |
| | 2 | DR1550 BUTT | | | | |
| UT3324 X 93 AS BUTT | 2 | DR1639 BUTT | DR1639 BUTT SD | DGI-1639 BUTT | 7 | S3324 |
| | 2 | DR1650 BUTT | | | | |
| UT3624 X 93 AS BUTT | 2 | DR1839 BUTT | DR1839 BUTT SD | DGI-1839 BUTT | 7 | S3624 |
| | 2 | DR1850 BUTT | | | | |

| SKU | QTY | DOOR | SPECIALTY DOOR | GLASS INSERT | QTY | ADJUSTABLE SHELF / DROT |
|--|-----|-------------|----------------|---------------|-----|-------------------------|
| | | PART NAME | PART NAME | PART NAME | | *PART NAME |
| UTILITY WITH ADJUSTABLE SHELVES - 24" DEEP X 96" HIGH | | | | | | |
| UT1224 X 96 AS | 1 | DR1242 | DR1242 SD | DGI-1242 | 7 | S1224 |
| | 1 | DR1250 | | | | |
| UT1524 X 96 AS | 1 | DR1542 | DR1542 SD | DGI-1542 | 7 | S1524 |
| | 1 | DR1550 | | | | |
| UT1824 X 96 AS | 1 | DR1842 | DR1842 SD | DGI-1842 | 7 | S1824 |
| | 1 | DR1850 | | | | |
| UT2124 X 96 AS | 1 | DR2142 | DR2142 SD | DGI-2142 | 7 | S2124 |
| | 1 | DR2150 | | | | |
| UT2424 X 96 AS BUTT | 2 | DR1242 BUTT | DR1242 BUTT SD | DGI-1242 BUTT | 7 | S2424 |
| | 2 | DR1250 BUTT | | | | |
| UT2724 X 96 AS BUTT | 2 | DR1342 BUTT | DR1342 BUTT SD | DGI-1342 BUTT | 7 | S2724 |
| | 2 | DR1350 BUTT | | | | |
| UT3024 X 96 AS BUTT | 2 | DR1542 BUTT | DR1542 BUTT SD | DGI-1542 BUTT | 7 | S3024 |
| | 2 | DR1550 BUTT | | | | |
| UT3324 X 96 AS BUTT | 2 | DR1642 BUTT | DR1642 BUTT SD | DGI-1642 BUTT | 7 | S3324 |
| | 2 | DR1650 BUTT | | | | |
| UT3624 X 96 AS BUTT | 2 | DR1842 BUTT | DR1842 BUTT SD | DGI-1842 BUTT | 7 | S3624 |
| | 2 | DR1850 BUTT | | | | |
| UTILITY WITH DEEP ROLL OUT TRAYS - 84" HIGH | | | | | | |
| UT1224 X 84 4ROT | 1 | DR1230 | DR1230 SD | DGI-1230 | 1 | S1224 |
| | 1 | DR1250 | | | 4 | DROT12 |
| UT1524 X 84 4ROT | 1 | DR1530 | DR1530 SD | DGI-1530 | 1 | S1524 |
| | 1 | DR1550 | | | 4 | DROT15 |
| UT1824 X 84 4ROT | 1 | DR1830 | DR1830 SD | DGI-1830 | 1 | S1824 |
| | 1 | DR1850 | | | 4 | DROT18 |
| UT2124 X 84 4ROT | 1 | DR2130 | DR2130 SD | DGI-2130 | 1 | S2124 |
| | 1 | DR2150 | | | 4 | DROT21 |
| UT2424 X 84 4ROT BUTT | 2 | DR1230 BUTT | DR1230 BUTT SD | DGI-1230 BUTT | 1 | S2424 |
| | 2 | DR1250 BUTT | | | 4 | DROT24 |
| UT2724 X 84 4ROT BUTT | 2 | DR1330 BUTT | DR1330 BUTT SD | DGI-1330 BUTT | 1 | S2724 |
| | 2 | DR1350 BUTT | | | 4 | DROT27 |
| UT3024 X 84 4ROT BUTT | 2 | DR1530 BUTT | DR1530 BUTT SD | DGI-1530 BUTT | 1 | S3024 |
| | 2 | DR1550 BUTT | | | 4 | DROT30 |
| UT3324 X 84 4ROT BUTT | 2 | DR1630 BUTT | DR1630 BUTT SD | DGI-1630 BUTT | 1 | S3324 |
| | 2 | DR1650 BUTT | | | 4 | DROT33 |
| UT3624 X 84 4ROT BUTT | 2 | DR1830 BUTT | DR1830 BUTT SD | DGI-1830 BUTT | 1 | S3624 |
| | 2 | DR1850 BUTT | | | 4 | DROT36 |
| UTILITY WITH DEEP ROLL OUT TRAYS - 90" HIGH | | | | | | |
| UT1224 X 90 4ROT | 1 | DR1236 | DR1236 SD | DGI-1236 | 2 | S1224 |
| | 1 | DR1250 | | | 4 | DROT12 |
| UT1524 X 90 4ROT | 1 | DR1536 | DR1536 SD | DGI-1536 | 2 | S1524 |
| | 1 | DR1550 | | | 4 | DROT15 |
| UT1824 X 90 4ROT | 1 | DR1836 | DR1836 SD | DGI-1836 | 2 | S1824 |
| | 1 | DR1850 | | | 4 | DROT18 |
| UT2124 X 90 4ROT | 1 | DR2136 | DR2136 SD | DGI-2136 | 2 | S2124 |
| | 1 | DR2150 | | | 4 | DROT21 |
| UT2424 X 90 4ROT BUTT | 2 | DR1236 BUTT | DR1236 BUTT SD | DGI-1236 BUTT | 2 | S2424 |
| | 2 | DR1250 BUTT | | | 4 | DROT24 |
| UT2724 X 90 4ROT BUTT | 2 | DR1336 BUTT | DR1336 BUTT SD | DGI-1336 BUTT | 2 | S2724 |
| | 2 | DR1350 BUTT | | | 4 | DROT27 |
| UT3024 X 90 4ROT BUTT | 2 | DR1536 BUTT | DR1536 BUTT SD | DGI-1536 BUTT | 2 | S3024 |
| | 2 | DR1550 BUTT | | | 4 | DROT30 |
| UT3324 X 90 4ROT BUTT | 2 | DR1636 BUTT | DR1636 BUTT SD | DGI-1636 BUTT | 2 | S3324 |
| | 2 | DR1650 BUTT | | | 4 | DROT33 |
| UT3624 X 90 4ROT BUTT | 2 | DR1836 BUTT | DR1836 BUTT SD | DGI-1836 BUTT | 2 | S3624 |
| | 2 | DR1850 BUTT | | | 4 | DROT36 |

*For Matching Interior Adjustable Shelf, refer to Parts Directory Legend

| SKU | QTY | DOOR | SPECIALTY DOOR | GLASS INSERT | QTY | ADJUSTABLE SHELF / DROT |
|--|-----|-------------|----------------|---------------|-----|-------------------------|
| | | PART NAME | PART NAME | PART NAME | | *PART NAME |
| UTILITY WITH DEEP ROLL OUT TRAYS - 93" HIGH | | | | | | |
| UT1224 X 93 4ROT | 1 | DR1239 | DR1239 SD | DGI-1239 | 3 | S1224 |
| | 1 | DR1250 | | | 4 | DROT12 |
| UT1524 X 93 4ROT | 1 | DR1539 | DR1539 SD | DGI-1539 | 3 | S1524 |
| | 1 | DR1550 | | | 4 | DROT15 |
| UT1824 X 93 4ROT | 1 | DR1839 | DR1839 SD | DGI-1839 | 3 | S1824 |
| | 1 | DR1850 | | | 4 | DROT18 |
| UT2124 X 93 4ROT | 1 | DR2139 | DR2139 SD | DGI-2139 | 3 | S2124 |
| | 1 | DR2150 | | | 4 | DROT21 |
| UT2424 X 93 4ROT BUTT | 2 | DR1239 BUTT | DR1239 BUTT SD | DGI-1239 BUTT | 3 | S2424 |
| | 2 | DR1250 BUTT | | | 4 | DROT24 |
| UT2724 X 93 4ROT BUTT | 2 | DR1339 BUTT | DR1339 BUTT SD | DGI-1339 BUTT | 3 | S2724 |
| | 2 | DR1350 BUTT | | | 4 | DROT27 |
| UT3024 X 93 4ROT BUTT | 2 | DR1539 BUTT | DR1539 BUTT SD | DGI-1539 BUTT | 3 | S3024 |
| | 2 | DR1550 BUTT | | | 4 | DROT30 |
| UT3324 X 93 4ROT BUTT | 2 | DR1639 BUTT | DR1639 BUTT SD | DGI-1639 BUTT | 3 | S3324 |
| | 2 | DR1650 BUTT | | | 4 | DROT33 |
| UT3624 X 93 4ROT BUTT | 2 | DR1839 BUTT | DR1839 BUTT SD | DGI-1839 BUTT | 3 | S3624 |
| | 2 | DR1850 BUTT | | | 4 | DROT36 |
| UTILITY WITH DEEP ROLL OUT TRAYS - 96" HIGH | | | | | | |
| UT1224 X 96 4ROT | 1 | DR1242 | DR1242 SD | DGI-1242 | 3 | S1224 |
| | 1 | DR1250 | | | 4 | DROT12 |
| UT1524 X 96 4ROT | 1 | DR1542 | DR1542 SD | DGI-1542 | 3 | S1524 |
| | 1 | DR1550 | | | 4 | DROT15 |
| UT1824 X 96 4ROT | 1 | DR1842 | DR1842 SD | DGI-1842 | 3 | S1824 |
| | 1 | DR1850 | | | 4 | DROT18 |
| UT2124 X 96 4ROT | 1 | DR2142 | DR2142 SD | DGI-2142 | 3 | S2124 |
| | 1 | DR2150 | | | 4 | DROT21 |
| UT2424 X 96 4ROT BUTT | 2 | DR1242 BUTT | DR1242 BUTT SD | DGI-1242 BUTT | 3 | S2424 |
| | 2 | DR1250 BUTT | | | 4 | DROT24 |
| UT2724 X 96 4ROT BUTT | 2 | DR1342 BUTT | DR1342 BUTT SD | DGI-1342 BUTT | 3 | S2724 |
| | 2 | DR1350 BUTT | | | 4 | DROT27 |
| UT3024 X 96 4ROT BUTT | 2 | DR1542 BUTT | DR1542 BUTT SD | DGI-1542 BUTT | 3 | S3024 |
| | 2 | DR1550 BUTT | | | 4 | DROT30 |
| UT3324 X 96 4ROT BUTT | 2 | DR1642 BUTT | DR1642 BUTT SD | DGI-1642 BUTT | 3 | S3324 |
| | 2 | DR1650 BUTT | | | 4 | DROT33 |
| UT3624 X 96 4ROT BUTT | 2 | DR1842 BUTT | DR1842 BUTT SD | DGI-1842 BUTT | 3 | S3624 |
| | 2 | DR1850 BUTT | | | 4 | DROT36 |

| SKU | QTY | DOOR | | ADJUSTABLE SHELF | | DRAWER FRONT | DRAWER BODY | | |
|---|-----|-------------|-----|------------------|-----|--------------|---------------------|-------------------------|---|
| | | PART NAME | QTY | *PART NAME | QTY | | PART NAME | essential 60, 63, 71 | select & luxury 61, 62, 64, 65, 72, 73 |
| | | | | | | | | PART NAME | PART NAME |
| DOUBLE OVEN CABINETS WITH 2 BUTT DOORS, 1 DRAWER - 84" HIGH | | | | | | | | | |
| OVD2784 BUTT | 2 | DR1318 BUTT | - | N/A | 1 | DDFOV27 | DRB24 X 18DP DT SG | DRB24 X 21DP DT FD | |
| OVD3084 BUTT | 2 | DR1518 BUTT | - | N/A | 1 | DDFOV30 | DRB27 X 18DP DT SG | DRB27 X 21DP DT FD | |
| OVD3384 BUTT | 2 | DR1618 BUTT | - | N/A | 1 | DDFOV33 | DRB30 X 18DP DT SG | DRB30 X 21DP DT FD | |
| DOUBLE OVEN CABINETS WITH 2 BUTT DOORS, 1 DRAWER - 90" HIGH | | | | | | | | | |
| OVD2790 AS BUTT | 2 | DR1324 BUTT | 1 | S2724 | 1 | DDFOV27 | DRB24 X 18DP DT SG | DRB24 X 21DP DT FD | |
| OVD3090 AS BUTT | 2 | DR1524 BUTT | 1 | S3024 | 1 | DDFOV30 | DRB27 X 18DP DT SG | DRB27 X 21DP DT FD | |
| OVD3390 AS BUTT | 2 | DR1624 BUTT | 1 | S3324 | 1 | DDFOV33 | DRB30 X 18DP DT SG | DRB30 X 21DP DT FD | |
| DOUBLE OVEN CABINETS WITH 2 BUTT DOORS, 1 DRAWER - 93" HIGH | | | | | | | | | |
| OVD2793 AS BUTT | 2 | DR1327 BUTT | 2 | S2724 | 1 | DDFOV27 | DRB24 X 18DP DT SG | DRB24 X 21DP DT FD | |
| OVD3093 AS BUTT | 2 | DR1527 BUTT | 2 | S3024 | 1 | DDFOV30 | DRB27 X 18DP DT SG | DRB27 X 21DP DT FD | |
| OVD3393 AS BUTT | 2 | DR1627 BUTT | 2 | S3324 | 1 | DDFOV33 | DRB30 X 18DP DT SG | DRB30 X 21DP DT FD | |
| DOUBLE OVEN CABINETS WITH 2 BUTT DOORS, 1 DRAWER - 96" HIGH | | | | | | | | | |
| OVD2796 AS BUTT | 2 | DR1330 BUTT | 2 | S2724 | 1 | DDFOV27 | DRB24 X 18DP DT SG | DRB24 X 21DP DT FD | |
| OVD3096 AS BUTT | 2 | DR1530 BUTT | 2 | S3024 | 1 | DDFOV30 | DRB27 X 18DP DT SG | DRB27 X 21DP DT FD | |
| OVD3396 AS BUTT | 2 | DR1630 BUTT | 2 | S3324 | 1 | DDFOV33 | DRB30 X 18DP DT SG | DRB30 X 21DP DT FD | |
| DOUBLE OVEN CABINETS WITH 2 BUTT DOORS AND 1 LARGE DRAWER - 84" HIGH | | | | | | | | | |
| OVD2784 BUTT 1DDWR | 2 | DR1318 BUTT | - | N/A | 1 | DDF27M | DRB24M X 18DP DT SG | DRB24M X 21DP DT FD | |
| OVD3084 BUTT 1DDWR | 2 | DR1518 BUTT | - | N/A | 1 | DDF30M | DRB27M X 18DP DT SG | DRB27M X 21DP DT FD | |
| OVD3384 BUTT 1DDWR | 2 | DR1618 BUTT | - | N/A | 1 | DDF33M | DRB30M X 18DP DT SG | DRB30M X 21DP DT FD | |
| DOUBLE OVEN CABINETS WITH 2 BUTT DOORS AND 1 LARGE DRAWER - 90" HIGH | | | | | | | | | |
| OVD2790 AS BUTT 1DDWR | 2 | DR1324 BUTT | 1 | S2724 | 1 | DDF27M | DRB24M X 18DP DT SG | DRB24M X 21DP DT FD | |
| OVD3090 AS BUTT 1DDWR | 2 | DR1524 BUTT | 1 | S3024 | 1 | DDF30M | DRB27M X 18DP DT SG | DRB27M X 21DP DT FD | |
| OVD3390 AS BUTT 1DDWR | 2 | DR1624 BUTT | 1 | S3324 | 1 | DDF33M | DRB30M X 18DP DT SG | DRB30M X 21DP DT FD | |
| DOUBLE OVEN CABINETS WITH 2 BUTT DOORS AND 1 LARGE DRAWER - 93" HIGH | | | | | | | | | |
| OVD2793 AS BUTT 1DDWR | 2 | DR1327 BUTT | 2 | S2724 | 1 | DDF27M | DRB24M X 18DP DT SG | DRB24M X 21DP DT FD | |
| OVD3093 AS BUTT 1DDWR | 2 | DR1527 BUTT | 2 | S3024 | 1 | DDF30M | DRB27M X 18DP DT SG | DRB27M X 21DP DT FD | |
| OVD3393 AS BUTT 1DDWR | 2 | DR1627 BUTT | 2 | S3324 | 1 | DDF33M | DRB30M X 18DP DT SG | DRB30M X 21DP DT FD | |
| DOUBLE OVEN CABINETS WITH 2 BUTT DOORS AND 1 LARGE DRAWER - 96" HIGH | | | | | | | | | |
| OVD2796 AS BUTT 1DDWR | 2 | DR1330 BUTT | 2 | S2724 | 1 | DDF27M | DRB24M X 18DP DT SG | DRB24M X 21DP DT FD | |
| OVD3096 AS BUTT 1DDWR | 2 | DR1530 BUTT | 2 | S3024 | 1 | DDF30M | DRB27M X 18DP DT SG | DRB27M X 21DP DT FD | |
| OVD3396 AS BUTT 1DDWR | 2 | DR1630 BUTT | 2 | S3324 | 1 | DDF33M | DRB30M X 18DP DT SG | DRB30M X 21DP DT FD | |
| SINGLE OVEN CABINETS WITH 4 BUTT DOORS - 84" HIGH | | | | | | | | | |
| OVS2784 BUTT | 2 | DR1318 BUTT | - | N/A | - | N/A | N/A | N/A | |
| | 2 | DR1324 BUTT | - | | | | | | |
| OVS3084 BUTT | 2 | DR1518 BUTT | - | N/A | - | N/A | N/A | N/A | |
| | 2 | DR1524 BUTT | - | | | | | | |
| OVS3384 BUTT | 2 | DR1618 BUTT | - | N/A | - | N/A | N/A | N/A | |
| | 2 | DR1624 BUTT | - | | | | | | |
| SINGLE OVEN CABINETS WITH 4 BUTT DOORS - 90" HIGH | | | | | | | | | |
| OVS2790 AS BUTT | 4 | DR1324 BUTT | 1 | S2724 | - | N/A | N/A | N/A | |
| OVS3090 AS BUTT | 4 | DR1524 BUTT | 1 | S3024 | - | N/A | N/A | N/A | |
| OVS3390 AS BUTT | 4 | DR1624 BUTT | 1 | S3324 | - | N/A | N/A | N/A | |
| SINGLE OVEN CABINETS WITH 4 BUTT DOORS - 93" HIGH | | | | | | | | | |
| OVS2793 AS BUTT | 2 | DR1327 BUTT | 2 | S2724 | - | N/A | N/A | N/A | |
| | 2 | DR1324 BUTT | - | | | | | | |
| OVS3093 AS BUTT | 2 | DR1527 BUTT | 2 | S3024 | - | N/A | N/A | N/A | |
| | 2 | DR1524 BUTT | - | | | | | | |
| OVS3393 AS BUTT | 2 | DR1627 BUTT | 2 | S3324 | - | N/A | N/A | N/A | |
| | 2 | DR1624 BUTT | - | | | | | | |
| SINGLE OVEN CABINETS WITH 4 BUTT DOORS - 96" HIGH | | | | | | | | | |
| OVS2796 AS BUTT | 2 | DR1330 BUTT | 2 | S2724 | - | N/A | N/A | N/A | |
| | 2 | DR1324 BUTT | - | | | | | | |
| OVS3096 AS BUTT | 2 | DR1530 BUTT | 2 | S3024 | - | N/A | N/A | N/A | |
| | 2 | DR1524 BUTT | - | | | | | | |
| OVS3396 AS BUTT | 2 | DR1630 BUTT | 2 | S3324 | - | N/A | N/A | N/A | |
| | 2 | DR1624 BUTT | - | | | | | | |

| SKU | QTY | DOOR | | ADJUSTABLE SHELF | | DRAWER FRONT | | DRAWER BODY | |
|--|-----|-------------|-----|------------------|-----|--------------|-------------------------|---|--|
| | | PART NAME | QTY | *PART NAME | QTY | PART NAME | essential 60, 63, 71 | select & luxury 61, 62, 64, 65, 72, 73 | |
| | | | | | | | PART NAME | PART NAME | |
| SINGLE OVEN CABINETS WITH 4 BUTT DOORS AND 1 POT AND PAN ORGANIZER - 84" HIGH | | | | | | | | | |
| OVS2784 BUTT BPP0 | 2 | DR1318 BUTT | - | N/A | - | N/A | N/A | N/A | |
| | 2 | DR1324 BUTT | 1 | BBPOK24 | - | N/A | N/A | N/A | |
| OVS3084 BUTT BPP0 | 2 | DR1518 BUTT | - | N/A | - | N/A | N/A | N/A | |
| | 2 | DR1524 BUTT | 1 | BPP0K27 | - | N/A | N/A | N/A | |
| OVS3384 BUTT BPP0 | 2 | DR1618 BUTT | - | N/A | - | N/A | N/A | N/A | |
| | 2 | DR1624 BUTT | 1 | BPP0K30 | - | N/A | N/A | N/A | |
| SINGLE OVEN CABINETS WITH 4 BUTT DOORS AND 1 POT AND PAN ORGANIZER - 90" HIGH | | | | | | | | | |
| OVS2790 BUTT BPP0 | 4 | DR1324 BUTT | 1 | S2724 | - | N/A | N/A | N/A | |
| | | | 1 | BPP0K24 | - | N/A | N/A | N/A | |
| OVS3090 BUTT BPP0 | 4 | DR1524 BUTT | 1 | S3024 | - | N/A | N/A | N/A | |
| | | | 1 | BPP0K27 | - | N/A | N/A | N/A | |
| OVS3390 BUTT BPP0 | 4 | DR1624 BUTT | 1 | S3324 | - | N/A | N/A | N/A | |
| | | | 1 | BPP0K30 | - | N/A | N/A | N/A | |
| SINGLE OVEN CABINETS WITH 4 BUTT DOORS AND 1 POT AND PAN ORGANIZER - 93" HIGH | | | | | | | | | |
| OVS2793 BUTT BPP0 | 2 | DR1327 BUTT | 2 | S2724 | - | N/A | N/A | N/A | |
| | 2 | DR1324 BUTT | 1 | BPP0K24 | - | N/A | N/A | N/A | |
| OVS3093 BUTT BPP0 | 2 | DR1527 BUTT | 2 | S3024 | - | N/A | N/A | N/A | |
| | 2 | DR1524 BUTT | 1 | BPP0K27 | - | N/A | N/A | N/A | |
| OVS3393 BUTT BPP0 | 2 | DR1627 BUTT | 2 | S3324 | - | N/A | N/A | N/A | |
| | 2 | DR1624 BUTT | 1 | BPP0K30 | - | N/A | N/A | N/A | |
| SINGLE OVEN CABINETS WITH 4 BUTT DOORS AND 1 POT AND PAN ORGANIZER - 96" HIGH | | | | | | | | | |
| OVS2796 BUTT BPP0 | 2 | DR1330 BUTT | 2 | S2724 | - | N/A | N/A | N/A | |
| | 2 | DR1324 BUTT | 1 | BPP0K24 | - | N/A | N/A | N/A | |
| OVS3096 BUTT BPP0 | 2 | DR1530 BUTT | 2 | S3024 | - | N/A | N/A | N/A | |
| | 2 | DR1524 BUTT | 1 | BPP0K27 | - | N/A | N/A | N/A | |
| OVS3396 BUTT BPP0 | 2 | DR1630 BUTT | 2 | S3324 | - | N/A | N/A | N/A | |
| | 2 | DR1624 BUTT | 1 | BPP0K30 | - | N/A | N/A | N/A | |
| SINGLE OVEN CABINETS WITH 2 BUTT DOORS 4 DRAWERS - 84" HIGH | | | | | | | | | |
| OVS2784 BUTT 4DWR | 2 | DR1318 BUTT | - | N/A | 2 | DDF27 | DRB24 X 18DP DT SG | DRB24 X 21DP DT FD | |
| | | | | | 2 | DDF27M | DRB24M X 18DP DT SG | DRB24M X 21DP DT FD | |
| OVS3084 BUTT 4DWR | 2 | DR1518 BUTT | - | N/A | 2 | DDF30 | DRB27 X 18DP DT SG | DRB27 X 21DP DT FD | |
| | | | | | 2 | DDF30M | DRB27M X 18DP DT SG | DRB27M X 21DP DT FD | |
| OVS3384 BUTT 4DWR | 2 | DR1618 BUTT | - | N/A | 2 | DDF33 | DRB30 X 18DP DT SG | DRB30 X 21DP DT FD | |
| | | | | | 2 | DDF33M | DRB30M X 18DP DT SG | DRB30M X 21DP DT FD | |
| SINGLE OVEN CABINETS WITH 2 BUTT DOORS 4 DRAWERS - 90" HIGH | | | | | | | | | |
| OVS2790 AS BUTT 4DWR | 2 | DR1324 BUTT | 1 | S2724 | 2 | DDF27 | DRB24 X 18DP DT SG | DRB24 X 21DP DT FD | |
| | | | | | 2 | DDF27M | DRB24M X 18DP DT SG | DRB24M X 21DP DT FD | |
| OVS3090 AS BUTT 4DWR | 2 | DR1524 BUTT | 1 | S3024 | 2 | DDF30 | DRB27 X 18DP DT SG | DRB27 X 21DP DT FD | |
| | | | | | 2 | DDF30M | DRB27M X 18DP DT SG | DRB27M X 21DP DT FD | |
| OVS3390 AS BUTT 4DWR | 2 | DR1624 BUTT | 1 | S3324 | 2 | DDF33 | DRB30 X 18DP DT SG | DRB30 X 21DP DT FD | |
| | | | | | 2 | DDF33M | DRB30M X 18DP DT SG | DRB30M X 21DP DT FD | |
| SINGLE OVEN CABINETS WITH 2 BUTT DOORS 4 DRAWERS - 93" HIGH | | | | | | | | | |
| OVS2793 AS BUTT 4DWR | 2 | DR1327 BUTT | 2 | S2724 | 2 | DDF27 | DRB24 X 18DP DT SG | DRB24 X 21DP DT FD | |
| | | | | | 2 | DDF27M | DRB24M X 18DP DT SG | DRB24M X 21DP DT FD | |
| OVS3093 AS BUTT 4DWR | 2 | DR1527 BUTT | 2 | S3024 | 2 | DDF30 | DRB27 X 18DP DT SG | DRB27 X 21DP DT FD | |
| | | | | | 2 | DDF30M | DRB27M X 18DP DT SG | DRB27M X 21DP DT FD | |
| OVS3393 AS BUTT 4DWR | 2 | DR1627 BUTT | 2 | S3324 | 2 | DDF33 | DRB30 X 18DP DT SG | DRB30 X 21DP DT FD | |
| | | | | | 2 | DDF33M | DRB30M X 18DP DT SG | DRB30M X 21DP DT FD | |
| SINGLE OVEN CABINETS WITH 2 BUTT DOORS 4 DRAWERS - 96" HIGH | | | | | | | | | |
| OVS2796 AS BUTT 4DWR | 2 | DR1330 BUTT | 2 | S2724 | 2 | DDF27 | DRB24 X 18DP DT SG | DRB24 X 21DP DT FD | |
| | | | | | 2 | DDF27M | DRB24M X 18DP DT SG | DRB24M X 21DP DT FD | |
| OVS3096 AS BUTT 4DWR | 2 | DR1530 BUTT | 2 | S3024 | 2 | DDF30 | DRB27 X 18DP DT SG | DRB27 X 21DP DT FD | |
| | | | | | 2 | DDF30M | DRB27M X 18DP DT SG | DRB27M X 21DP DT FD | |
| OVS3396 AS BUTT 4DWR | 2 | DR1630 BUTT | 2 | S3324 | 2 | DDF33 | DRB30 X 18DP DT SG | DRB30 X 21DP DT FD | |
| | | | | | 2 | DDF33M | DRB30M X 18DP DT SG | DRB30M X 21DP DT FD | |

| SKU | QTY | DOOR | | ADJUSTABLE SHELF | | DRAWER FRONT | DRAWER BODY | | |
|--|-----|-------------|-----|------------------|-----|--------------|--------------------|-------------------------|---|
| | | PART NAME | QTY | *PART NAME | QTY | | PART NAME | essential 60, 63, 71 | select & luxury 61, 62, 64, 65, 72, 73 |
| | | | | | | | | PART NAME | PART NAME |
| SINGLE OVEN CABINETS WITH 4 BUTT DOORS AND 1 DRAWER - 84" HIGH | | | | | | | | | |
| OVS2784 BUTT 1DWR | 2 | DR1318 BUTT | - | N/A | 1 | DDF27 | DRB24 X 18DP DT SG | DRB24 X 21DP DT FD | |
| | 2 | DR1324 BUTT | | | | | | | |
| OVS3084 BUTT 1DWR | 2 | DR1518 BUTT | - | N/A | 1 | DDF30 | DRB27 X 18DP DT SG | DRB27 X 21DP DT FD | |
| | 2 | DR1524 BUTT | | | | | | | |
| OVS3384 BUTT 1DWR | 2 | DR1618 BUTT | - | N/A | 1 | DDF33 | DRB30 X 18DP DT SG | DRB30 X 21DP DT FD | |
| | 2 | DR1624 BUTT | | | | | | | |
| SINGLE OVEN CABINETS WITH 4 BUTT DOORS AND 1 DRAWER - 90" HIGH | | | | | | | | | |
| OVS2790 AS BUTT 1DWR | 4 | DR1324 BUTT | 1 | S2724 | 1 | DDF27 | DRB24 X 18DP DT SG | DRB24 X 21DP DT FD | |
| OVS3090 AS BUTT 1DWR | 4 | DR1524 BUTT | 1 | S3024 | 1 | DDF30 | DRB27 X 18DP DT SG | DRB27 X 21DP DT FD | |
| OVS3390 AS BUTT 1DWR | 4 | DR1624 BUTT | 1 | S3324 | 1 | DDF33 | DRB30 X 18DP DT SG | DRB30 X 21DP DT FD | |
| SINGLE OVEN CABINETS WITH 4 BUTT DOORS AND 1 DRAWER - 93" HIGH | | | | | | | | | |
| OVS2793 AS BUTT 1DWR | 2 | DR1327 BUTT | 2 | S2724 | 1 | DDF27 | DRB24 X 18DP DT SG | DRB24 X 21DP DT FD | |
| | 2 | DR1324 BUTT | | | | | | | |
| OVS3093 AS BUTT 1DWR | 2 | DR1527 BUTT | 2 | S3024 | 1 | DDF30 | DRB27 X 18DP DT SG | DRB27 X 21DP DT FD | |
| | 2 | DR1524 BUTT | | | | | | | |
| OVS3393 AS BUTT 1DWR | 2 | DR1627 BUTT | 2 | S3324 | 1 | DDF33 | DRB30 X 18DP DT SG | DRB30 X 21DP DT FD | |
| | 2 | DR1624 BUTT | | | | | | | |
| SINGLE OVEN CABINETS WITH 4 BUTT DOORS AND 1 DRAWER - 96" HIGH | | | | | | | | | |
| OVS2796 AS BUTT 1DWR | 2 | DR1330 BUTT | 2 | S2724 | 1 | DDF27 | DRB24 X 18DP DT SG | DRB24 X 21DP DT FD | |
| | 2 | DR1324 BUTT | | | | | | | |
| OVS3096 AS BUTT 1DWR | 2 | DR1530 BUTT | 2 | S3024 | 1 | DDF30 | DRB27 X 18DP DT SG | DRB27 X 21DP DT FD | |
| | 2 | DR1524 BUTT | | | | | | | |
| OVS3396 AS BUTT 1DWR | 2 | DR1630 BUTT | 2 | S3324 | 1 | DDF33 | DRB30 X 18DP DT SG | DRB30 X 21DP DT FD | |
| | 2 | DR1624 BUTT | | | | | | | |
| SINGLE OVEN CABINETS WITH 4 BUTT DOORS, 1 DRAWER AND 1 POT & PAN ORGANIZER - 84" HIGH | | | | | | | | | |
| OVS2784 BUTT 1DWR BPPO | 2 | DR1318 BUTT | - | N/A | 1 | DDF27 | DRB24 X 18DP DT SG | DRB24 X 21DP DT FD | |
| | 2 | DR1324 BUTT | 1 | BPPOK24 | | | | | |
| OVS3084 BUTT 1DWR BPPO | 2 | DR1518 BUTT | - | N/A | 1 | DDF30 | DRB27 X 18DP DT SG | DRB27 X 21DP DT FD | |
| | 2 | DR1524 BUTT | 1 | BPPOK27 | | | | | |
| OVS3384 BUTT 1DWR BPPO | 2 | DR1618 BUTT | - | N/A | 1 | DDF33 | DRB30 X 18DP DT SG | DRB30 X 21DP DT FD | |
| | 2 | DR1624 BUTT | 1 | BPPOK30 | | | | | |
| SINGLE OVEN CABINETS WITH 4 BUTT DOORS, 1 DRAWER AND 1 POT & PAN ORGANIZER - 90" HIGH | | | | | | | | | |
| OVS2790 BUTT 1DWR BPPO | 4 | DR1324 BUTT | 1 | S2724 | 1 | DDF27 | DRB24 X 18DP DT SG | DRB24 X 21DP DT FD | |
| | | | 1 | BPPOK24 | | | | | |
| OVS3090 BUTT 1DWR BPPO | 4 | DR1524 BUTT | 1 | S3024 | 1 | DDF30 | DRB27 X 18DP DT SG | DRB27 X 21DP DT FD | |
| | | | 1 | BPPOK27 | | | | | |
| OVS3390 BUTT 1DWR BPPO | 4 | DR1624 BUTT | 1 | S3324 | 1 | DDF33 | DRB30 X 18DP DT SG | DRB30 X 21DP DT FD | |
| | | | 1 | BPPOK30 | | | | | |
| SINGLE OVEN CABINETS WITH 4 BUTT DOORS, 1 DRAWER AND 1 POT & PAN ORGANIZER - 93" HIGH | | | | | | | | | |
| OVS2793 BUTT 1DWR BPPO | 2 | DR1327 BUTT | 2 | S2724 | 1 | DDF27 | DRB24 X 18DP DT SG | DRB24 X 21DP DT FD | |
| | 2 | DR1324 BUTT | 1 | BPPOK24 | | | | | |
| OVS3093 BUTT 1DWR BPPO | 2 | DR1527 BUTT | 2 | S3024 | 1 | DDF30 | DRB27 X 18DP DT SG | DRB27 X 21DP DT FD | |
| | 2 | DR1524 BUTT | 1 | BPPOK27 | | | | | |
| OVS3393 BUTT 1DWR BPPO | 2 | DR1627 BUTT | 2 | S3324 | 1 | DDF33 | DRB30 X 18DP DT SG | DRB30 X 21DP DT FD | |
| | 2 | DR1624 BUTT | 1 | BPPOK30 | | | | | |
| SINGLE OVEN CABINETS WITH 4 BUTT DOORS, 1 DRAWER AND 1 POT & PAN ORGANIZER - 96" HIGH | | | | | | | | | |
| OVS2796 BUTT 1DWR BPPO | 2 | DR1330 BUTT | 2 | S2724 | 1 | DDF27 | DRB24 X 18DP DT SG | DRB24 X 21DP DT FD | |
| | 2 | DR1324 BUTT | 1 | BPPOK24 | | | | | |
| OVS3096 BUTT 1DWR BPPO | 2 | DR1530 BUTT | 2 | S3024 | 1 | DDF30 | DRB27 X 18DP DT SG | DRB27 X 21DP DT FD | |
| | 2 | DR1524 BUTT | 1 | BPPOK27 | | | | | |
| OVS3396 BUTT 1DWR BPPO | 2 | DR1630 BUTT | 2 | S3324 | 1 | DDF33 | DRB30 X 18DP DT SG | DRB30 X 21DP DT FD | |
| | 2 | DR1624 BUTT | 1 | BPPOK30 | | | | | |

*For Matching Interior Adjustable Shelf, refer to Parts Directory Legend

| SKU | QTY | DOOR | | ADJUSTABLE SHELF | | DRAWER FRONT | DRAWER BODY | |
|---|-----|-------------|-----|------------------|-----|--------------|-------------------------|---|
| | | PART NAME | QTY | *PART NAME | QTY | | essential 60, 63, 71 | select & luxury 61, 62, 64, 65, 72, 73 |
| | | | | | | | PART NAME | PART NAME |
| SINGLE OVEN CABINETS WITH 4 BUTT DOORS AND 2 DRAWERS • 84" HIGH | | | | | | | | |
| OVS2784 BUTT 2DWR | 2 | DR1318 BUTT | - | N/A | 2 | DDF27 | DRB24 X 18DP DT SG | DRB24 X 21DP DT FD |
| | 2 | DR1324 BUTT | | | | | | |
| OVS3084 BUTT 2DWR | 2 | DR1518 BUTT | - | N/A | 2 | DDF30 | DRB27 X 18DP DT SG | DRB27 X 21DP DT FD |
| | 2 | DR1524 BUTT | | | | | | |
| OVS3384 BUTT 2DWR | 2 | DR1618 BUTT | - | N/A | 2 | DDF33 | DRB30 X 18DP DT SG | DRB30 X 21DP DT FD |
| | 2 | DR1624 BUTT | | | | | | |
| SINGLE OVEN CABINETS WITH 4 BUTT DOORS AND 2 DRAWERS • 90" HIGH | | | | | | | | |
| OVS2790 AS BUTT 2DWR | 4 | DR1324 BUTT | 1 | S2724 | 2 | DDF27 | DRB24 X 18DP DT SG | DRB24 X 21DP DT FD |
| OVS3090 AS BUTT 2DWR | 4 | DR1524 BUTT | 1 | S3024 | 2 | DDF30 | DRB27 X 18DP DT SG | DRB27 X 21DP DT FD |
| OVS3390 AS BUTT 2DWR | 4 | DR1624 BUTT | 1 | S3324 | 2 | DDF33 | DRB30 X 18DP DT SG | DRB30 X 21DP DT FD |
| SINGLE OVEN CABINETS WITH 4 BUTT DOORS AND 2 DRAWERS • 93" HIGH | | | | | | | | |
| OVS2793 AS BUTT 2DWR | 2 | DR1327 BUTT | 2 | S2724 | 2 | DDF27 | DRB24 X 18DP DT SG | DRB24 X 21DP DT FD |
| | 2 | DR1324 BUTT | | | | | | |
| OVS3093 AS BUTT 2DWR | 2 | DR1527 BUTT | 2 | S3024 | 2 | DDF30 | DRB27 X 18DP DT SG | DRB27 X 21DP DT FD |
| | 2 | DR1524 BUTT | | | | | | |
| OVS3393 AS BUTT 2DWR | 2 | DR1627 BUTT | 2 | S3324 | 2 | DDF33 | DRB30 X 18DP DT SG | DRB30 X 21DP DT FD |
| | 2 | DR1624 BUTT | | | | | | |
| SINGLE OVEN CABINETS WITH 4 BUTT DOORS AND 2 DRAWERS • 96" HIGH | | | | | | | | |
| OVS2796 AS BUTT 2DWR | 2 | DR1330 BUTT | 2 | S2724 | 2 | DDF27 | DRB24 X 18DP DT SG | DRB24 X 21DP DT FD |
| | 2 | DR1324 BUTT | | | | | | |
| OVS3096 AS BUTT 2DWR | 2 | DR1530 BUTT | 2 | S3024 | 2 | DDF30 | DRB27 X 18DP DT SG | DRB27 X 21DP DT FD |
| | 2 | DR1524 BUTT | | | | | | |
| OVS3396 AS BUTT 2DWR | 2 | DR1630 BUTT | 2 | S3324 | 2 | DDF33 | DRB30 X 18DP DT SG | DRB30 X 21DP DT FD |
| | 2 | DR1624 BUTT | | | | | | |
| SINGLE OVEN CABINETS WITH 4 BUTT DOORS, 2 DRAWERS AND 1 POT & PAN ORGANIZER • 84" HIGH | | | | | | | | |
| OVS2784 BUTT 2DWR BPP0 | 2 | DR1318 BUTT | | N/A | 2 | DDF27 | DRB24 X 18DP DT SG | DRB24 X 21DP DT FD |
| | 2 | DR1324 BUTT | 1 | BBPOK24 | | | | |
| OVS3084 BUTT 2DWR BPP0 | 2 | DR1518 BUTT | | N/A | 2 | DDF30 | DRB27 X 18DP DT SG | DRB27 X 21DP DT FD |
| | 2 | DR1524 BUTT | 1 | BPP0K27 | | | | |
| OVS3384 BUTT 2DWR BPP0 | 2 | DR1618 BUTT | | N/A | 2 | DDF33 | DRB30 X 18DP DT SG | DRB30 X 21DP DT FD |
| | 2 | DR1624 BUTT | 1 | BPP0K30 | | | | |
| SINGLE OVEN CABINETS WITH 4 BUTT DOORS, 2 DRAWERS AND 1 POT & PAN ORGANIZER • 90" HIGH | | | | | | | | |
| OVS2790 BUTT 2DWR BPP0 | 4 | DR1324 BUTT | 1 | S2724 | 2 | DDF27 | DRB24 X 18DP DT SG | DRB24 X 21DP DT FD |
| | | | 1 | BPP0K24 | | | | |
| OVS3090 BUTT 2DWR BPP0 | 4 | DR1524 BUTT | 1 | S3024 | 2 | DDF30 | DRB27 X 18DP DT SG | DRB27 X 21DP DT FD |
| | | | 1 | BPP0K27 | | | | |
| OVS3390 BUTT 2DWR BPP0 | 4 | DR1624 BUTT | 1 | S3324 | 2 | DDF33 | DRB30 X 18DP DT SG | DRB30 X 21DP DT FD |
| | | | 1 | BPP0K30 | | | | |
| SINGLE OVEN CABINETS WITH 4 BUTT DOORS, 2 DRAWERS AND 1 POT & PAN ORGANIZER • 93" HIGH | | | | | | | | |
| OVS2793 BUTT 2DWR BPP0 | 2 | DR1327 BUTT | 2 | S2724 | 2 | DDF27 | DRB24 X 18DP DT SG | DRB24 X 21DP DT FD |
| | 2 | DR1324 BUTT | 1 | BPP0K24 | | | | |
| OVS3093 BUTT 2DWR BPP0 | 2 | DR1527 BUTT | 2 | S3024 | 2 | DDF30 | DRB27 X 18DP DT SG | DRB27 X 21DP DT FD |
| | 2 | DR1524 BUTT | 1 | BPP0K27 | | | | |
| OVS3393 BUTT 2DWR BPP0 | 2 | DR1627 BUTT | 2 | S3324 | 2 | DDF33 | DRB30 X 18DP DT SG | DRB30 X 21DP DT FD |
| | 2 | DR1624 BUTT | 1 | BPP0K30 | | | | |
| SINGLE OVEN CABINETS WITH 4 BUTT DOORS, 2 DRAWERS AND 1 POT & PAN ORGANIZER • 96" HIGH | | | | | | | | |
| OVS2796 BUTT 2DWR BPP0 | 2 | DR1330 BUTT | 2 | S2724 | 2 | DDF27 | DRB24 X 18DP DT SG | DRB24 X 21DP DT FD |
| | 2 | DR1324 BUTT | 1 | BPP0K24 | | | | |
| OVS3096 BUTT 2DWR BPP0 | 2 | DR1530 BUTT | 2 | S3024 | 2 | DDF30 | DRB27 X 18DP DT SG | DRB27 X 21DP DT FD |
| | 2 | DR1524 BUTT | 1 | BPP0K27 | | | | |
| OVS3396 BUTT 2DWR BPP0 | 2 | DR1630 BUTT | 2 | S3324 | 2 | DDF33 | DRB30 X 18DP DT SG | DRB30 X 21DP DT FD |
| | 2 | DR1624 BUTT | 1 | BPP0K30 | | | | |

| SKU | QTY | DOOR | | | QTY | ADJUSTABLE SHELF |
|---|-----|-------------|----------------|---------------|-----|------------------|
| | | PART NAME | PART NAME | PART NAME | | *PART NAME |
| VANITY LINEN CABINETS - WITH ADJUSTABLE SHELVES | | | | | | |
| VLC152184 AS | 1 | DR1530 | DR1530 SD | DGI-1530 | 5 | S1521 |
| | 1 | DR1550 | | | | |
| VLC182184 AS | 1 | DR1830 | DR1830 SD | DGI-1830 | 5 | S1821 |
| | 1 | DR1850 | | | | |
| VLC242184 AS BUTT | 2 | DR1230 BUTT | DR1230 BUTT SD | DGI-1230 BUTT | 5 | S2421 |
| | 2 | DR1250 BUTT | | | | |
| VANITY LINEN CABINETS - WITH DEEP ROLL OUT TRAYS | | | | | | |
| VLC152184 4ROT | 1 | DR1530 | DR1530 SD | DGI-1530 | 1 | S1521 |
| | 1 | DR1550 | | | 4 | DROT1521 |
| VLC182184 4ROT | 1 | DR1830 | DR1830 SD | DGI-1830 | 1 | S1821 |
| | 1 | DR1850 | | | 4 | DROT1821 |
| VLC242184 4ROT BUTT | 2 | DR1230 BUTT | DR1230 BUTT SD | DGI-1230 BUTT | 1 | S2421 |
| | 2 | DR1250 BUTT | | | 4 | DROT2421 |

| SKU | QTY | DOOR | | DRAWER BODY | | QTY | DRAWER FRONT |
|---|-----|-------------|-----|--|---|-----|--------------|
| | | PART NAME | QTY | essential 60, 63, 71 | select & luxury 61, 62, 64, 65, 72, 73 | | PART NAME |
| | | | | PART NAME | PART NAME | | |
| VANITY BASE 34 1/2" HIGH | | | | | | | |
| VB1234H | 1 | DR1224 | 1 | DRB12 X 18DP DT SG | DRB12 X 18DP DT FD | 1 | DDF12 |
| VB1534H | 1 | DR1524 | 1 | DRB15 X 18DP DT SG | DRB15 X 18DP DT FD | 1 | DDF15 |
| VB1834H | 1 | DR1824 | 1 | DRB18 X 18DP DT SG | DRB18 X 18DP DT FD | 1 | DDF18 |
| VB2134H | 1 | DR2124 | 1 | DRB21 X 18DP DT SG | DRB21 X 18DP DT FD | 1 | DDF21 |
| VB2434H BUTT | 2 | DR1224 BUTT | 1 | DRB24 X 18DP DT SG | DRB24 X 18DP DT FD | 1 | DDF24 |
| VB2734H BUTT | 2 | DR1324 BUTT | 1 | DRB27 X 18DP DT SG | DRB27 X 18DP DT FD | 1 | DDF27 |
| VB3034H BUTT | 2 | DR1524 BUTT | 1 | DRB30 X 18DP DT SG | DRB30 X 18DP DT FD | 1 | DDF30 |
| VB3334H BUTT | 2 | DR1624 BUTT | 1 | DRB33 X 18DP DT SG | DRB33 X 18DP DT FD | 1 | DDF33 |
| VB3634H BUTT | 2 | DR1824 BUTT | 1 | DRB36 X 18DP DT SG | DRB36 X 18DP DT FD | 1 | DDF36 |
| VANITY BASE WASTEBASKET 34 1/2" HIGH | | | | | | | |
| VWBB1834H | 1 | DR1824 ND | 1 | DRB18 X 18DP DT SG VWBB1834H_OL KIT | DRB18 X 18DP DT FD VWBB1834H_OL KIT | 1 | DDF18 |
| VANITY SINK BASE WITH TOP DRAWERS 34 1/2" HIGH | | | | | | | |
| VAN3634H BUTT | 2 | DR1824 BUTT | 2 | DRB10 X 18DP DT SG | DRB10 X 18DP DT FD | 3 | DDF12 |
| VAN3934H | 2 | DR1924 | 2 | DRB12 X 18DP DT SG | DRB12 X 18DP DT FD | 2 | DDF12 |
| | | | | | | 1 | DDF15 |
| VAN4234H | 2 | DR2124 | 2 | DRB12 X 18DP DT SG | DRB12 X 18DP DT FD | 2 | DDF12 |
| | | | | | | 1 | DDF18 |
| VAN4834H | 2 | DR1524 | 2 | DRB15 X 18DP DT SG | DRB15 X 18DP DT FD | 2 | DDF15 |
| | 1 | DR1824 | | | | 1 | DDF18 |
| VAN5434H BK BUTT | 2 | DR1224 | 2 | DRB12 X 18DP DT SG | DRB12 X 18DP DT FD | 2 | DDF12 |
| | 2 | DR1524 BUTT | | | | 1 | DDF30 |
| VAN6034H BK BUTT | 2 | DR1524 | 2 | DRB15 X 18DP DT SG | DRB15 X 18DP DT FD | 2 | DDF15 |
| | 2 | DR1524 BUTT | | | | 1 | DDF30 |

*For Matching Interior Adjustable Shelf, refer to Parts Directory Legend

| SKU | QTY | DOOR | | DRAWER BODY | | DRAWER FRONT | |
|---|-----|-------------|-----|----------------------------------|---|--------------|------------|
| | | PART NAME | QTY | essential & select 60, 63, 71 | select & luxury 61, 62, 64, 65, 72, 73 | QTY | *PART NAME |
| | | | | *PART NAME | *PART NAME | | |
| VANITY COMBO SINK BASE 18" DEEP X 34 1/2" HIGH | | | | | | | |
| VSDB241834H BK | 1 | DR1224 | 2 | DRB12M X 15DP DT SG | DRB12M X 15DP DT FD | 2 | DDF12 |
| | | | | | | 1 | DDF24 |
| VSDB271834H BK | 1 | DR1524 | 2 | DRB12M X 15DP DT SG | DRB12M X 15DP DT FD | 2 | DDF12M |
| | | | | | | 1 | DDF27 |
| VSDB301834H BK | 1 | DR1824 | 2 | DRB12M X 15DP DT SG | DRB12M X 15DP DT FD | 2 | DDF12M |
| | | | | | | 1 | DDF30 |
| VSDB331834H BK | 1 | DR2124 | 2 | DRB12M X 15DP DT SG | DRB12M X 15DP DT FD | 2 | DDF12M |
| | | | | | | 1 | DDF33 |
| VSDB361834H BK | 1 | DR2124 | 2 | DRB15M X 15DP DT SG | DRB15M X 15DP DT FD | 2 | DDF15M |
| | | | | | | 1 | DDF36 |
| VANITY COMBO SINK BASE 34 1/2" HIGH | | | | | | | |
| VSDB2434H BK | 1 | DR1224 | 2 | DRB12M X 18DP DT SG | DRB12M X 18DP DT FD | 2 | DDF12 |
| | | | | | | 1 | DDF24 |
| VSDB2734H BK | 1 | DR1524 | 2 | DRB12M X 18DP DT SG | DRB12M X 18DP DT FD | 2 | DDF12M |
| | | | | | | 1 | DDF27 |
| VSDB3034H BK | 1 | DR1824 | 2 | DRB12M X 18DP DT SG | DRB12M X 18DP DT FD | 2 | DDF12M |
| | | | | | | 1 | DDF30 |
| VSDB3334H BK | 1 | DR2124 | 2 | DRB12M X 18DP DT SG | DRB12M X 18DP DT FD | 2 | DDF12M |
| | | | | | | 1 | DDF33 |
| VSDB3634H BK | 1 | DR2124 | 2 | DRB15M X 18DP DT SG | DRB15M X 18DP DT FD | 2 | DDF15M |
| | | | | | | 1 | DDF36 |
| VSDB3934H BK | 1 | DR2124 | 2 | DRB18M X 18DP DT SG | DRB18M X 18DP DT FD | 1 | DDF21 |
| | | | | | | 1 | DDF18 |
| | | | | | | 2 | DDF18M |
| VSDB4234H BK BUTT | 2 | DR1524 BUTT | 1 | DRB12 X 18DP DT SG | DRB12 X 18DP DT FD | 1 | DDF30 |
| | | | 2 | DRB12M X 18DP DT SG | DRB12M X 18DP DT FD | 1 | DDF12 |
| | | | | | | 2 | DDF12M |
| VSDB4834HD BK BUTT | 2 | DR1224 BUTT | 2 | DRB12 X 18DP DT SG | DRB12 X 18DP DT FD | 1 | DDF24 |
| | | | 4 | DRB12M X 18DP DT SG | DRB12M X 18DP DT FD | 2 | DDF12 |
| | | | | | | 4 | DDF12M |
| VSDB5434HD BK BUTT | 2 | DR1224 BUTT | 2 | DRB15 X 18DP DT SG | DRB15 X 18DP DT FD | 1 | DDF24 |
| | | | 4 | DRB15M X 18DP DT SG | DRB15M X 18DP DT FD | 2 | DDF15 |
| | | | | | | 4 | DDF15M |
| VSDB6034HC BK BUTT | 4 | DR1224 BUTT | 1 | DRB12 X 18DP DT SG | DRB12 X 18DP DT FD | 2 | DDF24 |
| | | | 2 | DRB12M X 18DP DT SG | DRB12M X 18DP DT FD | 1 | DDF12 |
| | | | | | | 2 | DDF12M |
| VSDB6034HD BK BUTT | 2 | DR1524 BUTT | 2 | DRB15 X 18DP DT SG | DRB15 X 18DP DT FD | 1 | DDF30 |
| | | | 4 | DRB15M X 18DP DT SG | DRB15M X 18DP DT FD | 2 | DDF15 |
| | | | | | | 4 | DDF15M |

| SKU | QTY | DOOR | | DRAWER FRONT | |
|---|-----|-------------|-----|--------------|-----|
| | | PART NAME | QTY | PART NAME | QTY |
| VANITY SINK BASE - 34 1/2" HIGH | | | | | |
| VSB1534H | 1 | DR1524 | 1 | DDF15 | |
| VSB1834H | 1 | DR1824 | 1 | DDF18 | |
| VSB2134H | 1 | DR2124 | 1 | DDF21 | |
| VSB2434H BUTT | 2 | DR1224 BUTT | 1 | DDF24 | |
| VSB2734H BUTT | 2 | DR1324 BUTT | 1 | DDF27 | |
| VSB3034H BUTT | 2 | DR1524 BUTT | 1 | DDF30 | |
| VSB3334H BUTT | 2 | DR1624 BUTT | 1 | DDF33 | |
| VSB3634H BUTT | 2 | DR1824 BUTT | 1 | DDF36 | |
| VSB4234H | 2 | DR2124 | 2 | DDF21 | |
| VSB3934H | 2 | DR1924 | 2 | DDF19 | |
| VSB4834H | 2 | DR1524 | 2 | DDF15 | |
| | 1 | DR1824 | 1 | DDF18 | |
| VSB5434H BUTT | 4 | DR1324 BUTT | 2 | DDF27 | |
| VSB6034H BUTT | 4 | DR1524 BUTT | 2 | DDF30 | |
| VANITY SINK BASE - 18" DEEP X 34 1/2" HIGH | | | | | |
| VSB241834H BUTT | 2 | DR1224 BUTT | 1 | DDF24 | |
| VSB301834H BUTT | 2 | DR1524 BUTT | 1 | DDF30 | |
| VSB361834H BUTT | 2 | DR1824 BUTT | 1 | DDF36 | |
| VANITY FULL-HEIGHT BASE - 34 1/2" HIGH | | | | | |
| VB1234H FH | 1 | DR12FH | - | N/A | |
| VB1534H FH | 1 | DR15FH | - | N/A | |
| VB1834H FH | 1 | DR18FH | - | N/A | |
| VB2134H FH | 1 | DR21FH | - | N/A | |
| VB2434H BUTT FH | 2 | DR12BUTT FH | - | N/A | |
| VB3034H BUTT FH | 2 | DR15BUTT FH | - | N/A | |
| VB3634H BUTT FH | 2 | DR18BUTT FH | - | N/A | |
| VALET CABINET | | | | | |
| VC2436 BUTT | 2 | DR1224 BUTT | - | N/A | |

| SKU | QTY | DRAWER FRONT | | DRAWER BODY | |
|--|-----|--------------|-------------------------|---|---------------------|
| | | PART NAME | essential 60, 63, 71 | select & luxury 61, 62, 64, 65, 72, 73 | PART NAME |
| BASE HEIGHT VANITY DRAWER BASE - 34 1/2" HIGH | | | | | |
| VDB1234H | 1 | DDF12 | DRB12 X 18DP DT SG | | DRB12 X 18DP DT FD |
| | 2 | DDF12M | DRB12M X 18DP DT SG | | DRB12M X 18DP DT FD |
| VDB1534H | 1 | DDF15 | DRB15 X 18DP DT SG | | DRB15 X 18DP DT FD |
| | 2 | DDF15M | DRB15M X 18DP DT SG | | DRB15M X 18DP DT FD |
| VDB1834H | 1 | DDF18 | DRB18 X 18DP DT SG | | DRB18 X 18DP DT FD |
| | 2 | DDF18M | DRB18M X 18DP DT SG | | DRB18M X 18DP DT FD |
| VDB2134H | 1 | DDF21 | DRB21 X 18DP DT SG | | DRB21 X 18DP DT FD |
| | 2 | DDF21M | DRB21M X 18DP DT SG | | DRB21M X 18DP DT FD |
| VDB2434H | 1 | DDF24 | DRB24 X 18DP DT SG | | DRB24 X 18DP DT FD |
| | 2 | DDF24M | DRB24M X 18DP DT SG | | DRB24M X 18DP DT FD |

| DOORS | |
|--|---------------------|
| Specialty Doors, Solid Doors & ND Doors are the same dimension | |
| PART NAME | DIMENSION |
| 50" HIGH | |
| DR1250 | 11 9/16" x 49 1/4" |
| DR1250 BUTT | 11 11/16" x 49 1/4" |
| DR1350 BUTT | 13 3/16" x 49 1/4" |
| DR1550 | 14 9/16" x 49 1/4" |
| DR1550 BUTT | 14 11/16" x 49 1/4" |
| DR1650 BUTT | 16 3/16" x 49 1/4" |
| DR1850 | 17 9/16" x 49 1/4" |
| DR1850 BUTT | 17 11/16" x 49 1/4" |
| DR2150 | 20 9/16" x 49 1/4" |
| 42" HIGH | |
| DR942 | 8 9/16" x 41 1/2" |
| DR1242 | 11 9/16" x 41 1/2" |
| DR1242 BUTT | 11 11/16" x 41 1/2" |
| DR1242 WER DRILL | 10 3/4" x 41 1/2" |
| DR1242 WER ND | 10 3/4" x 41 1/2" |
| DR1342 BUTT | 13 3/16" x 41 1/2" |
| DR1542 | 14 9/16" x 41 1/2" |
| DR1542 BUTT | 14 11/16" x 41 1/2" |
| DR1642 BUTT | 16 3/16" x 41 1/2" |
| DR1842 | 17 9/16" x 41 1/2" |
| DR1842 BUTT | 17 11/16" x 41 1/2" |
| DR2142 | 20 9/16" x 41 1/2" |
| DR2442 | 23 9/16" x 41 1/2" |
| 39" HIGH | |
| DR939 | 8 9/16" x 38 1/2" |
| DR1239 | 11 9/16" x 38 1/2" |
| DR1239 BUTT | 11 11/16" x 38 1/2" |
| DR1239 WER DRILL | 10 3/4" x 38 1/2" |
| DR1239 WER ND | 10 3/4" x 38 1/2" |
| DR1339 BUTT | 13 3/16" x 38 1/2" |
| DR1539 | 14 9/16" x 38 1/2" |
| DR1539 BUTT | 14 11/16" x 38 1/2" |
| DR1639 BUTT | 16 3/16" x 38 1/2" |
| DR1839 | 17 9/16" x 38 1/2" |
| DR1839 BUTT | 17 11/16" x 38 1/2" |
| DR2139 | 20 9/16" x 38 1/2" |
| DR2439 | 23 9/16" x 38 1/2" |

| DOORS | |
|--|---------------------|
| Specialty Doors, Solid Doors & ND Doors are the same dimension | |
| PART NAME | DIMENSION |
| 36" HIGH | |
| DR936 | 8 9/16" x 35 1/2" |
| DR1236 | 11 9/16" x 35 1/2" |
| DR1236 BUTT | 11 11/16" x 35 1/2" |
| DR1236 WER DRILL | 10 3/4" x 35 1/2" |
| DR1236 WER ND | 10 3/4" x 35 1/2" |
| DR1336 BUTT | 13 3/16" x 35 1/2" |
| DR1536 | 14 9/16" x 35 1/2" |
| DR1536 BUTT | 14 11/16" x 35 1/2" |
| DR1636 BUTT | 16 3/16" x 35 1/2" |
| DR1836 | 17 9/16" x 35 1/2" |
| DR1836 BUTT | 17 11/16" x 35 1/2" |
| DR2136 | 20 9/16" x 35 1/2" |
| DR2436 | 23 9/16" x 35 1/2" |
| 30" HIGH | |
| DR930 | 8 9/16" x 29 1/2" |
| DR930 BER DRILL | 7 3/4" x 29 7/8" |
| DR930 BER ND | 7 3/4" x 29 7/8" |
| DR1230 | 11 9/16" x 29 1/2" |
| DR1230 BUTT | 11 11/16" x 29 1/2" |
| DR1230 BER DRILL | 10 3/4" x 29 7/8" |
| DR1230 BER ND | 10 3/4" x 29 7/8" |
| DR1230 WER DRILL | 10 3/4" x 29 1/2" |
| DR1230 WER ND | 10 3/4" x 29 1/2" |
| DR1330 BUTT | 13 3/16" x 29 1/2" |
| DR1530 | 14 9/16" x 29 1/2" |
| DR1530 BUTT | 14 11/16" x 29 1/2" |
| DR1630 BUTT | 16 3/16" x 29 1/2" |
| DR1830 | 17 9/16" x 29 1/2" |
| DR1830 BUTT | 17 11/16" x 29 1/2" |
| DR2130 | 20 9/16" x 29 1/2" |
| DR2430 | 23 9/16" x 29 1/2" |
| 27" HIGH | |
| DR1327 BUTT | 13 3/16" x 26 1/2" |
| DR1527 BUTT | 14 11/16" x 26 1/2" |
| DR1627 BUTT | 16 3/16" x 26 1/2" |

| DOORS | |
|--|---------------------|
| Specialty Doors, Solid Doors & ND Doors are the same dimension | |
| PART NAME | DIMENSION |
| 24" HIGH | |
| DR1224 | 11 9/16" x 23 7/8" |
| DR1224 BUTT | 11 11/16" x 23 7/8" |
| DR1324 BUTT | 13 3/16" x 23 7/8" |
| DR1524 | 14 9/16" x 23 7/8" |
| DR1524 BUTT | 14 11/16" x 23 7/8" |
| DR1624 BUTT | 16 3/16" x 23 7/8" |
| DR1824 | 17 9/16" x 23 7/8" |
| DR1824 BUTT | 17 11/16" x 23 7/8" |
| DR18.524 BUTT | 18 3/16" x 23 7/8" |
| DR1924 | 19 1/16" x 23 7/8" |
| DR2124 | 20 9/16" x 23 7/8" |
| DR2424 | 23 9/16" x 23 7/8" |
| 21" HIGH | |
| DR1521 BUTT | 14 11/16" x 20" |
| DR1521V BUTT | 14 11/16" x 20" |
| DR1621 BUTT | 16 3/16" x 20" |
| DR1621V BUTT | 16 3/16" x 20" |
| DR1821 BUTT | 17 11/16" x 20" |
| DR1821V BUTT | 17 11/16" x 20" |
| DR18.521 BUTT | 18 3/16" x 20" |
| DR1921 | 19 1/16" x 20" |
| DR1921V | 19 1/16" x 20" |
| 18" HIGH | |
| DR1218 | 11 9/16" x 17 1/2" |
| DR1218 BUTT | 11 11/16" x 17 1/2" |
| DR1318 BUTT | 13 3/16" x 17 1/2" |
| DR1518 | 14 9/16" x 17 1/2" |
| DR1518 BUTT | 14 11/16" x 17 1/2" |
| DR1618 BUTT | 16 3/16" x 17 1/2" |
| DR1818 | 17 9/16" x 17 1/2" |
| DR1818 BUTT | 17 11/16" x 17 1/2" |
| DR18.518 BUTT | 18 3/16" x 17 1/2" |
| DR1918 | 19 1/16" x 17 1/2" |
| DR2118 | 20 9/16" x 17 1/2" |
| DR3018 WTH | 29 1/2" x 17 9/16" |
| DR3618 WTH | 35 1/2" x 17 9/16" |

| DOORS | |
|--|---------------------|
| Specialty Doors, Solid Doors & ND Doors are the same dimension | |
| PART NAME | DIMENSION |
| 15" HIGH | |
| DR1215 | 11 9/16" x 14 1/2" |
| DR1215 BUTT | 11 11/16" x 14 1/2" |
| DR1315 BUTT | 13 3/16" x 14 1/2" |
| DR1515 | 14 9/16" x 14 1/2" |
| DR1515 BUTT | 14 11/16" x 14 1/2" |
| DR1615 BUTT | 16 3/16" x 14 1/2" |
| DR1815 | 17 9/16" x 14 1/2" |
| DR1815 BUTT | 17 11/16" x 14 1/2" |
| DR1915 | 19 1/16" x 14 1/2" |
| DR2115 | 20 9/16" x 14 1/2" |
| DR3015 WTH | 29 1/2" x 14 9/16" |
| DR3615 WTH | 35 1/2" x 14 9/16" |
| 12" HIGH | |
| DR1212 | 11 9/16" x 11 1/2" |
| DR1212 BUTT | 11 11/16" x 11 1/2" |
| DR1312 BUTT | 13 3/16" x 11 1/2" |
| DR1512 | 14 9/16" x 11 1/2" |
| DR1512 BUTT | 14 11/16" x 11 1/2" |
| DR1612 BUTT | 16 3/16" x 11 1/2" |
| DR1812 | 17 9/16" x 11 1/2" |
| DR1812 BUTT | 17 11/16" x 11 1/2" |
| DR18.512 BUTT | 18 3/16" x 11 1/2" |
| DR1912 | 19 1/16" x 11 1/2" |
| DR2112 | 20 9/16" x 11 1/2" |
| FULL-HEIGHT DOORS | |
| DR9FH | 8 9/16" x 29 7/8" |
| DR12FH | 11 9/16" x 29 7/8" |
| DR12BUTT FH | 11 11/16" x 29 7/8" |
| DR13BUTT FH | 13 3/16" x 29 7/8" |
| DR15FH | 14 9/16" x 29 7/8" |
| DR15BUTT FH | 14 11/16" x 29 7/8" |
| DR16BUTT FH | 16 3/16" x 29 7/8" |
| DR18FH | 17 9/16" x 29 7/8" |
| DR18BUTT FH | 17 11/16" x 29 7/8" |
| DR21FH | 20 9/16" x 29 7/8" |
| DR24FH | 23 9/16" x 29 7/8" |
| DRCBS36 | 14 9/16" x 29 7/8" |

| DOORS | |
|--|--|
| Specialty Doors, Solid Doors & ND Doors are the same dimension | |
| PART NAME | DIMENSION |
| DECORATOR DOORS | |
| DMDB | 23 9/16" x 29 7/8" |
| DMDBEA12 | 11 9/16" x 29 7/8" |
| DMDW18 | 11 9/16" x 17 1/2" |
| DMDW24 | 11 9/16" x 23 7/8" |
| DMDW30 | 11 9/16" x 29 1/2" |
| DMDW36 | 11 9/16" x 35 1/2" |
| DMDW39 | 11 9/16" x 38 1/2" |
| DMDW42 | 11 9/16" x 41 1/2" |
| DMDT8424 | 11 9/16" x 29 1/2" 11 9/16" x 49 1/4" |
| DMDT9024 | 11 9/16" x 35 1/2" 11 9/16" x 49 1/4" |
| DMDT9324 | 11 9/16" x 38 1/2" 11 9/16" x 49 1/4" |
| DMDT9624 | 11 9/16" x 41 1/2" 11 9/16" x 49 1/4" |

| SHELVES | |
|--------------------|----------------------------|
| PART NAME | DIMENSION |
| 9" SHELF 3/4 | 7 1/4" x 10 1/4" x 3/4" |
| 9" SHELF PLY | 7 1/4" x 10 1/4" x 3/4" |
| 9" SHELF 24DP 3/4 | 7 3/16" x 22 3/16" x 3/4" |
| 9" SHELF 24DP PLY | 7 3/16" x 22 3/16" x 3/4" |
| 12" SHELF 3/4 | 10 1/4" x 10 1/4" x 3/4" |
| 12" SHELF PB 3/4 | 10 3/16" x 22 3/16" x 3/4" |
| 12" SHELF PB PLY | 10 3/16" x 22 3/16" x 3/4" |
| 12" SHELF PLY | 10 1/4" x 10 1/4" x 3/4" |
| 12" SHELF 24DP 3/4 | 10 3/16" x 22 1/8" x 3/4" |
| 15" SHELF 3/4 | 13 1/4" x 10 1/4" x 3/4" |
| 15" SHELF PLY | 13 1/4" x 10 1/4" x 3/4" |
| 15" SHELF 24DP 3/4 | 13 3/16" x 22 1/8" x 3/4" |
| 18" SHELF 3/4 | 16 1/4" x 10 1/4" x 3/4" |
| 18" SHELF PB 3/4 | 16 3/16" x 22 3/16" x 3/4" |
| 18" SHELF PB PLY | 16 3/16" x 22 3/16" x 3/4" |
| 18" SHELF PLY | 16 1/4" x 10 1/4" x 3/4" |
| 18" SHELF 24DP 3/4 | 16 3/16" x 22 1/8" x 3/4" |
| 21" SHELF 3/4 | 19 1/4" x 10 1/4" x 3/4" |
| 21" SHELF PLY | 19 1/4" x 10 1/4" x 3/4" |
| 21" SHELF 24DP 3/4 | 19 3/16" x 22 1/8" x 3/4" |
| 24" SHELF 3/4 | 22 1/4" x 10 1/4" x 3/4" |
| 24" SHELF PB 3/4 | 22 3/16" x 22 3/16" x 3/4" |
| 24" SHELF PB PLY | 22 3/16" x 22 3/16" x 3/4" |
| 24" SHELF PLY | 22 1/4" x 10 1/4" x 3/4" |
| 24" SHELF 24DP 3/4 | 22 3/16" x 22 1/8" x 3/4" |
| 27" SHELF 3/4 | 25 1/4" x 10 1/4" x 3/4" |
| 27" SHELF PLY | 25 1/4" x 10 1/4" x 3/4" |
| 27" SHELF 24DP 3/4 | 25 1/4" x 22 1/8" x 3/4" |

| SHELVES | |
|---------------------|----------------------------|
| PART NAME | DIMENSION |
| 30" SHELF 3/4 | 28 1/4" x 10 1/4" x 3/4" |
| 30" SHELF PB 3/4 | 28 3/16" x 22 3/16" x 3/4" |
| 30" SHELF PB PLY | 28 3/16" x 22 3/16" x 3/4" |
| 30" SHELF PLY | 28 1/4" x 10 1/4" x 3/4" |
| 30" SHELF 24DP 3/4 | 28 1/4" x 22 1/8" x 3/4" |
| 33" SHELF 3/4 | 31 1/4" x 10 1/4" x 3/4" |
| 33" SHELF PLY | 31 1/4" x 10 1/4" x 3/4" |
| 33" SHELF 24DP 3/4 | 31 1/4" x 22 1/8" x 3/4" |
| 36" SHELF 3/4 | 34 1/4" x 10 1/4" x 3/4" |
| 36" SHELF PB 3/4 | 34 3/16" x 22 3/16" x 3/4" |
| 36" SHELF PB PLY | 34 3/16" x 22 3/16" x 3/4" |
| 36" SHELF PLY | 34 1/4" x 10 1/4" x 3/4" |
| 36" SHELF 24DP 3/4 | 34 1/4" x 22 1/8" x 3/4" |
| 39" SHELF 3/4 | 37 1/4" x 10 1/4" x 3/4" |
| 37" SHELF 24DP 3/4 | 35 3/16" x 22 1/8" x 3/4" |
| 39" SHELF PLY | 37 1/4" x 10 1/4" x 3/4" |
| 39" SHELF 24DP 3/4 | 37 1/4" x 22 1/8" x 3/4" |
| 42" SHELF 3/4 | 40 1/4" x 10 1/4" x 3/4" |
| 42" SHELF PB 3/4 | 40 3/16" x 22 3/16" x 3/4" |
| 42" SHELF PB PLY | 40 3/16" x 22 3/16" x 3/4" |
| 42" SHELF PLY | 40 1/4" x 10 1/4" x 3/4" |
| 42" SHELF 24DP 3/4 | 40 1/4" x 22 1/8" x 3/4" |
| 45" SHELF 24DP 3/4 | 43 1/4" x 22 1/8" x 3/4" |
| 45" SHELF 3/4 | 43 1/4" x 10 1/4" x 3/4" |
| 45" SHELF PLY | 43 1/4" x 10 1/4" x 3/4" |
| 48" SHELF 24DP 3/4 | 46 1/4" x 22 1/8" x 3/4" |
| 48" SHELF 3/4 | 46 1/4" x 10 1/4" x 3/4" |
| 48" SHELF PLY | 46 1/4" x 10 1/4" x 3/4" |
| BS18 SHELF _PK | 16 1/4" x 10 1/4" x 23/32" |
| BS24 SHELF _PK | 22 1/4" x 10 1/4" x 23/32" |
| BS30 SHELF _PK | 28 1/4" x 10 1/4" x 23/32" |
| BS36 SHELF _PK | 34 1/4" x 10 1/4" x 23/32" |
| S1521 | 13 3/16" x 18 7/8" x 3/4" |
| S1821 | 16 3/16" x 18 7/8" x 3/4" |
| S2421 | 22 3/16" x 18 7/8" x 3/4" |
| S1224 | 10 3/16" x 22 1/8" x 3/4" |
| S1524 | 13 3/16" x 22 1/8" x 3/4" |
| S1824 | 16 3/16" x 22 1/8" x 3/4" |
| S2124 | 19 3/16" x 22 1/8" x 3/4" |
| S2424 | 22 3/16" x 22 1/8" x 3/4" |
| S2724 | 25 3/16" x 22 1/8" x 3/4" |
| S3024 | 28 3/16" x 22 1/8" x 3/4" |
| S3324 | 31 3/16" x 22 1/8" x 3/4" |
| S3624 | 34 3/16" x 22 1/8" x 3/4" |
| WMS2718 TOP SHELF | 25 1/4" x 16 1/4" x 3/4" |
| WMS2718 TOPSHELFPLY | 25 1/4" x 16 1/4" x 3/4" |

| GLASS INSERTS | | |
|-----------------|---------------------|------------------------|
| PART NAME | 71, 72, 73 | 60, 61, 62, 63, 64, 65 |
| 42" HIGH | | |
| DGI-1242 | 8" x 37 15/16" | 6 5/16" x 36 3/8" |
| DGI-1242 BUTT | 8" x 37 15/16" | 6 5/16" x 36 3/8" |
| DGI-1342 BUTT | 9 1/2" x 37 15/16" | 8 1/16" x 36 3/8" |
| DGI-1542 | 11" x 37 15/16" | 9 5/16" x 36 3/8" |
| DGI-1542 BUTT | 11" x 37 15/16" | 9 5/16" x 36 3/8" |
| DGI-1642 BUTT | 12 1/2" x 37 15/16" | 11 1/16" x 36 3/8" |
| DGI-1842 | 14" x 37 15/16" | 12 5/16" x 36 3/8" |
| DGI-1842 BUTT | 14" x 37 15/16" | 12 5/16" x 36 3/8" |
| DGI-1942 | 15 1/2" x 37 15/16" | 13 3/16" x 36 3/8" |
| DGI-2142 | 17" x 37 15/16" | 15 5/16" x 36 3/8" |
| 39" HIGH | | |
| DGI-1239 | 8" x 34 15/16" | 6 5/16" x 33 3/8" |
| DGI-1239 BUTT | 8" x 34 15/16" | 6 5/16" x 33 3/8" |
| DGI-1339 BUTT | 9 1/2" x 34 15/16" | 8 1/16" x 33 3/8" |
| DGI-1539 | 11" x 34 15/16" | 9 5/16" x 33 3/8" |
| DGI-1539 BUTT | 11" x 34 15/16" | 9 5/16" x 33 3/8" |
| DGI-1639 BUTT | 12 1/2" x 34 15/16" | 11 1/16" x 33 3/8" |
| DGI-1839 | 14" x 34 15/16" | 12 5/16" x 33 3/8" |
| DGI-1839 BUTT | 14" x 34 15/16" | 12 5/16" x 33 3/8" |
| DGI-2139 | 17" x 34 15/16" | 15 5/16" x 33 3/8" |
| 36" HIGH | | |
| DGI-1236 | 8" x 31 15/16" | 6 5/16" x 30 3/8" |
| DGI-1236 BUTT | 8" x 31 15/16" | 6 5/16" x 30 3/8" |
| DGI-1336 BUTT | 9 1/2" x 31 15/16" | 8 1/16" x 30 3/8" |
| DGI-1536 | 11" x 31 15/16" | 9 5/16" x 30 3/8" |
| DGI-1536 BUTT | 11" x 31 15/16" | 9 5/16" x 30 3/8" |
| DGI-1636 BUTT | 12 1/2" x 31 15/16" | 11 1/16" x 30 3/8" |
| DGI-1836 | 14" x 31 15/16" | 12 5/16" x 30 3/8" |
| DGI-1836 BUTT | 14" x 31 15/16" | 12 5/16" x 30 3/8" |
| DGI-1936 | 15 1/2" x 31 15/16" | 13 3/16" x 30 3/8" |
| DGI-2136 | 17" x 31 15/16" | 15 5/16" x 30 3/8" |
| 30" HIGH | | |
| DGI-1230 | 8" x 25 15/16" | 6 5/16" x 24 3/8" |
| DGI-1230 BUTT | 8" x 25 15/16" | 6 5/16" x 24 3/8" |
| DGI-1330 BUTT | 9 1/2" x 25 15/16" | 8 1/16" x 24 3/8" |
| DGI-1530 | 11" x 25 15/16" | 9 5/16" x 24 3/8" |
| DGI-1530 BUTT | 11" x 25 15/16" | 9 5/16" x 24 3/8" |
| DGI-1630 BUTT | 12 1/2" x 25 15/16" | 11 1/16" x 24 3/8" |
| DGI-1830 | 14" x 25 15/16" | 12 5/16" x 24 3/8" |
| DGI-1830 BUTT | 14" x 25 15/16" | 12 5/16" x 24 3/8" |
| DGI-1930 | 15 1/2" x 25 15/16" | 13 3/16" x 24 3/8" |
| DGI-2130 | 17" x 25 15/16" | 15 5/16" x 24 3/8" |
| 27" HIGH | | |
| DGI-1527 BUTT | 11" x 22 15/16" | 9 5/16" x 21 3/8" |

| GLASS INSERTS | | |
|-----------------|---------------------|------------------------|
| PART NAME | 71, 72, 73 | 60, 61, 62, 63, 64, 65 |
| 24" HIGH | | |
| DGI-1224 | 8" x 20 5/16" | 6 5/16" x 18 3/4" |
| DGI-1224 BUTT | 8" x 20 5/16" | 6 5/16" x 18 3/4" |
| DGI-1324 BUTT | 9 1/2" x 20 5/16" | 8 1/16" x 18 3/4" |
| DGI-1524 | 11" x 20 5/16" | 9 5/16" x 18 3/4" |
| DGI-1524 BUTT | 11" x 20 5/16" | 9 5/16" x 18 3/4" |
| DGI-1624 BUTT | 12 1/2" x 20 5/16" | 11 1/16" x 18 3/4" |
| DGI-1824 | 14" x 20 5/16" | 12 5/16" x 18 3/4" |
| DGI-1824 BUTT | 14" x 20 5/16" | 12 5/16" x 18 3/4" |
| DGI-18.524 BUTT | 14 1/2" x 20 5/16" | 13 1/16" x 18 3/4" |
| DGI-1924 | 15 1/2" x 20 5/16" | 13 3/16" x 18 3/4" |
| DGI-2124 | 17" x 20 5/16" | 15 5/16" x 18 3/4" |
| 21" HIGH | | |
| DGI-1521 BUTT | 11" x 16 7/16" | 9 5/16" x 14 7/8" |
| DGI-1621 BUTT | 12 1/2" x 16 7/16" | 11 1/16" x 14 7/8" |
| DGI-1821 BUTT | 14" x 16 7/16" | 12 5/16" x 14 7/8" |
| DGI-18.521 BUTT | 14 1/2" x 16 7/16" | 13 1/16" x 14 7/8" |
| DGI-1921 | 15 1/2" x 16 7/16" | 13 3/16" x 14 7/8" |
| 18" HIGH | | |
| DGI-1218 | 8" x 13 15/16" | 6 5/16" x 12 3/8" |
| DGI-1218 BUTT | 8" x 13 15/16" | 6 5/16" x 12 3/8" |
| DGI-1318 BUTT | 9 1/2" x 13 15/16" | 8 1/16" x 12 3/8" |
| DGI-1518 | 11" x 13 15/16" | 9 5/16" x 12 3/8" |
| DGI-1518 BUTT | 11" x 13 15/16" | 9 5/16" x 12 3/8" |
| DGI-1618 BUTT | 12 1/2" x 13 15/16" | 11 1/16" x 12 3/8" |
| DGI-1818 | 14" x 13 15/16" | 12 5/16" x 12 3/8" |
| DGI-1818 BUTT | 14" x 13 15/16" | 12 5/16" x 12 3/8" |
| DGI-18.518 BUTT | 14 1/2" x 13 15/16" | 13 1/16" x 12 3/8" |
| DGI-1918 | 15 1/2" x 13 15/16" | 13 3/16" x 12 3/8" |
| DGI-2118 | 17" x 13 15/16" | 15 5/16" x 12 3/8" |
| 15" HIGH | | |
| DGI-1215 | 8" x 10 15/16" | 6 5/16" x 9 3/8" |
| DGI-1215 BUTT | 8" x 10 15/16" | 6 9/16" x 9 3/8" |
| DGI-1315 BUTT | 9 1/2" x 10 15/16" | 8 1/16" x 9 3/8" |
| DGI-1515 BUTT | 11" x 10 15/16" | 9 5/16" x 9 3/8" |
| DGI-1615 BUTT | 12 1/2" x 10 15/16" | 11 1/16" x 9 3/8" |
| DGI-1815 BUTT | 14" x 10 15/16" | 12 5/16" x 9 3/8" |
| DGI-18.515 BUTT | 14 1/2" x 10 15/16" | 13 1/16" x 9 3/8" |
| DGI-1915 | 15 1/2" x 10 15/16" | 13 3/16" x 9 3/8" |
| DGI-2115 | 17" x 10 15/16" | 15 5/16" x 9 3/8" |
| 12" HIGH | | |
| DGI-1212 | 8" x 7 15/16" | 6 5/16" x 6 3/8" |
| DGI-1212 BUTT | 8" x 7 15/16" | 6 9/16" x 6 3/8" |
| DGI-1312 BUTT | 9 1/2" x 7 15/16" | 8 1/16" x 6 3/8" |
| DGI-1512 BUTT | 11" x 7 15/16" | 9 5/16" x 6 3/8" |
| DGI-1612 BUTT | 12 1/2" x 7 15/16" | 11 1/16" x 6 3/8" |
| DGI-1812 BUTT | 14" x 7 15/16" | 12 5/16" x 6 3/8" |
| DGI-18.512 BUTT | 14 1/2" x 7 15/16" | 13 1/16" x 6 3/8" |
| DGI-1912 | 15 1/2" x 7 15/16" | 13 3/16" x 6 3/8" |
| DGI-2112 | 17" x 7 15/16" | 15 5/16" x 6 3/8" |

| ROLL OUT ACCESSORIES | |
|--------------------------------------|------------------------|
| PART NAME | DIMENSION |
| ROLL OUT TRAYS | |
| DROT12 | 7 3/4" x 21" x 3 1/2" |
| DROT15 | 10 3/4" x 21" x 3 1/2" |
| DROT18 | 13 3/4" x 21" x 3 1/2" |
| DROT21 | 16 3/4" x 21" x 3 1/2" |
| DROT24 | 19 3/4" x 21" x 3 1/2" |
| DROT27 | 22 3/4" x 21" x 3 1/2" |
| DROT30 | 25 3/4" x 21" x 3 1/2" |
| DROT33 | 28 3/4" x 21" x 3 1/2" |
| DROT36 | 31 3/4" x 21" x 3 1/2" |
| DROT1221 | 7 3/4" x 18" x 3 1/2" |
| DROT1521 | 10 3/4" x 18" x 3 1/2" |
| DROT1821 | 13 3/4" x 18" x 3 1/2" |
| DROT2421 | 19 3/4" x 18" x 3 1/2" |
| BASE POT & PAN ORGANIZERS | |
| BPPOK24 | 19 3/4" X 19" X 21" |
| BPPOK27 | 22 3/4" X 19" X 21" |
| BPPOK30 | 25 3/4" X 19" X 21" |
| BPPOK33 | 28 3/4" X 19" X 21" |
| BPPOK36 | 31 3/4" X 19" X 21" |
| ROLL OUT TRAY DIVIDERS | |
| ROTDK12 | 7 3/4" x 21" |
| ROTDK15 | 10 3/4" x 21" |

| DRAWER FRONTS | |
|------------------------------|--------------------------|
| PART NAME | DIMENSION |
| STANDARD DRAWER FRONT | |
| DDF12 | 11 9/16" x 5 13/16" |
| DDF15 | 14 9/16" x 5 13/16" |
| DDF18 | 17 9/16" x 5 13/16" |
| DDF19 | 19 1/16" x 5 13/16" |
| DDF21 | 20 9/16" x 5 13/16" |
| DDF24 | 23 9/16" x 5 13/16" |
| DDF27 | 26 9/16" x 5 13/16" |
| DDF30 | 29 9/16" x 5 13/16" |
| DDF33 | 32 9/16" x 5 13/16" |
| DDF36 | 35 9/16" x 5 13/16" |
| DDFOV27 | 26 9/16" x 7 7/16" |
| DDFOV30 | 29 9/16" x 7 7/16" |
| DDVOV33 | 32 9/16" x 7 7/16" |
| DDF18 DRILL | 17 9/16" x 5 13/16" |
| DDF19 DRILL | 19 1/16" x 5 13/16" |
| DDF21 DRILL | 20 9/16" x 5 13/16" |
| DDF24 DRILL | 23 9/16" x 5 13/16" |
| DDF27 DRILL | 26 9/16" x 5 13/16" |
| DDF30 DRILL | 29 9/16" x 5 13/16" |
| DDF33 DRILL | 32 9/16" x 5 13/16" |
| DDF36 DRILL | 35 9/16" x 5 13/16" |
| LARGE DRAWER FRONT | |
| DDF12M | 11 9/16" x 11 27/32" |
| DDF15M | 14 9/16" x 11 27/32" |
| DDF18M | 17 9/16" x 11 27/32" |
| DDF21M | 20 9/16" x 11 27/32" |
| DDF24M | 23 9/16" x 11 27/32" |
| DDF27M | 26 9/16" x 11 27/32" |
| DDF30M | 29 9/16" x 11 27/32" |
| DDF33M | 32 9/16" x 11 27/32" |
| DDF36M | 35 9/16" x 11 27/32" |
| 2DB DRAWER FRONT | |
| DDF21 2DB | 20 9/16" x 14 27/32" |
| DDF24 2DB | 23 9/16" x 14 27/32" |
| DDF27 2DB | 26 9/16" x 14 27/32" |
| DDF30 2DB | 29 9/16" x 14 27/32" |
| DDF33 2DB | 31 9/16" x 14 27/32" |
| DDF36 2DB | 35 9/16" x 14 27/32" |
| MISC DRAWER FRONT | |
| DDFKDC27/21 | 20 9/16" x 4 7/16" |
| DDFKDC33/27 | 26 9/16" x 4 7/16" |
| DDFKDC36/33 | 32 9/16" x 4 7/16" |
| DDF SDC | 5 11/16" x 5 1/2" x 1/2" |

| essential DRAWER BODIES | |
|----------------------------|----------------------------|
| PART NAME | DIMENSION |
| 18" DEEP | |
| DRB10 X 18DP DT SG | 6 7/32" x 3 21/32" x 18" |
| DRB12 X 18DP DT SG | 7 23/32" x 3 21/32" x 18" |
| DRB12M X 18DP DT SG | 7 23/32" x 6 3/4" x 18" |
| DRB15 X 18DP DT SG | 10 23/32" x 3 21/32" x 18" |
| DRB15M X 18DP DT SG | 10 23/32" x 6 3/4" x 18" |
| DRB18 X 18DP DT SG | 13 23/32" x 3 21/32" x 18" |
| DRB18M X 18DP DT SG | 13 23/32" x 6 3/4" x 18" |
| DRB19 X 18DP DT SG | 14 23/32" x 3 21/32" x 18" |
| DRB21 X 18DP DT SG | 16 23/32" x 3 21/32" x 18" |
| DRB21M X 18DP DT SG | 16 23/32" x 6 3/4" x 18" |
| DRB24 X 18DP DT SG | 19 23/32" x 3 21/32" x 18" |
| DRB24M X 18DP DT SG | 19 23/32" x 6 3/4" x 18" |
| DRB27 X 18DP DT SG | 22 23/32" x 3 21/32" x 18" |
| DRB27M X 18DP DT SG | 22 23/32" x 6 3/4" x 18" |
| DRB30 X 18DP DT SG | 25 23/32" x 3 21/32" x 18" |
| DRB30M X 18DP DT SG | 25 23/32" x 6 3/4" x 18" |
| DRB33 X 18DP DT SG | 28 23/32" x 3 21/32" x 18" |
| DRB33M X 18DP DT SG | 28 23/32" x 6 3/4" x 18" |
| DRB36 X 18DP DT SG | 31 23/32" x 3 21/32" x 18" |
| DRB36M X 18DP DT SG | 31 23/32" x 6 3/4" x 18" |
| 15" DEEP | |
| DRB10 X 15DP DT SG | 6 7/32" x 3 21/32" x 15" |
| DRB12 X 15DP DT SG | 7 23/32" x 3 21/32" x 15" |
| DRB12M X 15DP DT SG | 7 23/32" x 6 3/4" x 15" |
| DRB15 X 15DP DT SG | 10 23/32" x 3 21/32" x 15" |
| DRB15M X 15DP DT SG | 10 23/32" x 6 3/4" x 15" |
| DRB18 X 15DP DT SG | 13 23/32" x 3 21/32" x 15" |
| DRB18M X 15DP DT SG | 13 23/32" x 6 3/4" x 15" |
| DRB19 X 15DP DT SG | 14 23/32" x 3 21/32" x 15" |
| DRB21 X 15DP DT SG | 16 23/32" x 3 21/32" x 15" |
| DRB21M X 15DP DT SG | 16 23/32" x 6 3/4" x 15" |
| DRB24 X 15DP DT SG | 19 23/32" x 3 21/32" x 15" |
| DRB24M X 15DP DT SG | 19 23/32" x 6 3/4" x 15" |
| DRB27 X 15DP DT SG | 22 23/32" x 3 21/32" x 15" |
| DRB27M X 15DP DT SG | 22 23/32" x 6 3/4" x 15" |
| DRB30 X 15DP DT SG | 25 23/32" x 3 21/32" x 15" |
| DRB30M X 15DP DT SG | 25 23/32" x 6 3/4" x 15" |
| DRB33 X 15DP DT SG | 28 23/32" x 3 21/32" x 15" |
| DRB33M X 15DP DT SG | 28 23/32" x 6 3/4" x 15" |
| DRB36 X 15DP DT SG | 31 23/32" x 3 21/32" x 15" |
| DRB36M X 15DP DT SG | 31 23/32" x 6 3/4" x 15" |
| DRBKDC27X 15DP DT SG | 16 23/32" x 2 11/32" x 15" |
| DRBKDC33X 15DP DT SG | 22 23/32" x 2 11/32" x 15" |
| DRBKDC36X 15DP DT SG | 28 23/32" x 2 11/32" x 15" |

| essential DRAWER BODIES | |
|----------------------------|----------------------------|
| PART NAME | DIMENSION |
| 12" DEEP | |
| DRB10 X 12DP DT SG | 7 23/32" x 3 21/32" x 12" |
| DRB12 X 12DP DT SG | 7 23/32" x 3 21/32" x 12" |
| DRB12M X 12DP DT SG | 7 23/32" x 6 3/4" x 12" |
| DRB15 X 12DP DT SG | 10 23/32" x 3 21/32" x 12" |
| DRB15M X 12DP DT SG | 10 23/32" x 6 3/4" x 12" |
| DRB18 X 12DP DT SG | 13 23/32" x 3 21/32" x 12" |
| DRB18M X 12DP DT SG | 13 23/32" x 6 3/4" x 12" |
| DRB19 X 12DP DT SG | 14 23/32" x 3 21/32" x 12" |
| DRB21 X 12DP DT SG | 16 23/32" x 3 21/32" x 12" |
| DRB21M X 12DP DT SG | 16 23/32" x 6 3/4" x 12" |
| DRB24 X 12DP DT SG | 19 23/32" x 3 21/32" x 12" |
| DRB24M X 12DP DT SG | 19 23/32" x 6 3/4" x 12" |
| DRB27 X 12DP DT SG | 22 23/32" x 3 21/32" x 12" |
| DRB27M X 12DP DT SG | 22 23/32" x 6 3/4" x 12" |
| DRB30 X 12DP DT SG | 25 23/32" x 3 21/32" x 12" |
| DRB30M X 12DP DT SG | 25 23/32" x 6 3/4" x 12" |
| DRB33 X 12DP DT SG | 28 23/32" x 3 21/32" x 12" |
| DRB33M X 12DP DT SG | 28 23/32" x 6 3/4" x 12" |
| DRB36 X 12DP DT SG | 31 23/32" x 3 21/32" x 12" |
| DRB36M X 12DP DT SG | 31 23/32" x 6 3/4" x 12" |
| DRBKDC27X 12DP DT SG | 16 23/32" x 2 11/32" x 12" |
| DRBKDC33X 12DP DT SG | 22 23/32" x 2 11/32" x 12" |
| DRBKDC36X 12DP DT SG | 28 23/32" x 2 11/32" x 12" |
| 9" DEEP | |
| DRB10 X 9DP DT SG | 7 23/32" x 3 21/32" x 9" |
| DRB12 X 9DP DT SG | 7 23/32" x 3 21/32" x 9" |
| DRB12M X 9DP DT SG | 7 23/32" x 6 3/4" x 9" |
| DRB15 X 9DP DT SG | 10 23/32" x 3 21/32" x 9" |
| DRB15M X 9DP DT SG | 10 23/32" x 6 3/4" x 9" |
| DRB18 X 9DP DT SG | 13 23/32" x 3 21/32" x 9" |
| DRB18M X 9DP DT SG | 13 23/32" x 6 3/4" x 9" |
| DRB19 X 9DP DT SG | 14 23/32" x 3 21/32" x 9" |
| DRB21 X 9DP DT SG | 16 23/32" x 3 21/32" x 9" |
| DRB21M X 9DP DT SG | 16 23/32" x 6 3/4" x 9" |
| DRB24 X 9DP DT SG | 19 23/32" x 3 21/32" x 9" |
| DRB24M X 9DP DT SG | 19 23/32" x 6 3/4" x 9" |
| DRB27 X 9DP DT SG | 22 23/32" x 3 21/32" x 9" |
| DRB27M X 9DP DT SG | 22 23/32" x 6 3/4" x 9" |
| DRB30 X 9DP DT SG | 25 23/32" x 3 21/32" x 9" |
| DRB30M X 9DP DT SG | 25 23/32" x 6 3/4" x 9" |
| DRB33 X 9DP DT SG | 28 23/32" x 3 21/32" x 9" |
| DRB33M X 9DP DT SG | 28 23/32" x 6 3/4" x 9" |
| DRB36 X 9DP DT SG | 31 23/32" x 3 21/32" x 9" |
| DRB36M X 9DP DT SG | 31 23/32" x 6 3/4" x 9" |
| DRBKDC27X 9DP DT SG | 16 23/32" x 2 11/32" x 9" |
| DRBKDC33X 9DP DT SG | 22 23/32" x 2 11/32" x 9" |
| DRBKDC36X 9DP DT SG | 28 23/32" x 2 11/32" x 9" |

| select & luxury DRAWER BODIES | |
|----------------------------------|-------------------------|
| PART NAME | DIMENSION |
| 21" DEEP | |
| DRB12 X 21DP DT FD | 8 1/16" x 3 1/2" x 21" |
| DRB12M X 21DP DT FD | 8 1/16" x 7" x 21" |
| DRB15 X 21DP DT FD | 11 1/16" x 3 1/2" x 21" |
| DRB15M X 21DP DT FD | 11 1/16" x 7" x 21" |
| DRB18 X 21DP DT FD | 14 1/16" x 3 1/2" x 21" |
| DRB18M X 21DP DT FD | 14 1/16" x 7" x 21" |
| DRB19 X 21DP DT FD | 15 9/16" x 3 1/2" x 21" |
| DRB21 X 21DP DT FD | 17 1/16" x 3 1/2" x 21" |
| DRB21M X 21DP DT FD | 17 1/16" x 7" x 21" |
| DRB24 X 21DP DT FD | 20 1/16" x 3 1/2" x 21" |
| DRB24M X 21DP DT FD | 20 1/16" x 7" x 21" |
| DRB27 X 21DP DT FD | 23 1/16" x 3 1/2" x 21" |
| DRB27M X 21DP DT FD | 23 1/16" x 7" x 21" |
| DRB30 X 21DP DT FD | 26 1/16" x 3 1/2" x 21" |
| DRB30M X 21DP DT FD | 26 1/16" x 7" x 21" |
| DRB33 X 21DP DT FD | 29 1/16" x 3 1/2" x 21" |
| DRB33M X 21DP DT FD | 29 1/16" x 7" x 21" |
| DRB36 X 21DP DT FD | 32 1/16" x 3 1/2" x 21" |
| DRB36M X 21DP DT FD | 32 1/16" x 7" x 21" |
| 18" DEEP | |
| DRB10 X 18DP DT FD | 7 1/16" x 3 1/2" x 18" |
| DRB12 X 18DP DT FD | 8 1/16" x 3 1/2" x 18" |
| DRB12M X 18DP DT FD | 8 1/16" x 7" x 18" |
| DRB15 X 18DP DT FD | 11 1/16" x 3 1/2" x 18" |
| DRB15M X 18DP DT FD | 11 1/16" x 7" x 18" |
| DRB18 X 18DP DT FD | 14 1/16" x 3 1/2" x 18" |
| DRB18M X 18DP DT FD | 14 1/16" x 7" x 18" |
| DRB19 X 18DP DT FD | 15 9/16" x 3 1/2" x 18" |
| DRB21 X 18DP DT FD | 17 1/16" x 3 1/2" x 18" |
| DRB21M X 18DP DT FD | 17 1/16" x 7" x 18" |
| DRB24 X 18DP DT FD | 20 1/16" x 3 1/2" x 18" |
| DRB24M X 18DP DT FD | 20 1/16" x 7" x 18" |
| DRB27 X 18DP DT FD | 23 1/16" x 3 1/2" x 18" |
| DRB27M X 18DP DT FD | 23 1/16" x 7" x 18" |
| DRB30 X 18DP DT FD | 26 1/16" x 3 1/2" x 18" |
| DRB30M X 18DP DT FD | 26 1/16" x 7" x 18" |
| DRB33 X 18DP DT FD | 29 1/16" x 3 1/2" x 18" |
| DRB33M X 18DP DT FD | 29 1/16" x 7" x 18" |
| DRB36 X 18DP DT FD | 32 1/16" x 3 1/2" x 18" |
| DRB36M X 18DP DT FD | 32 1/16" x 7" x 18" |

| select & luxury DRAWER BODIES | |
|----------------------------------|----------------------------|
| PART NAME | DIMENSION |
| 15" DEEP | |
| DRB10 X 15DP DT FD | 7 1/16" x 3 1/2" x 15" |
| DRB12 X 15DP DT FD | 8 1/16" x 3 1/2" x 15" |
| DRB12M X 15DP DT FD | 8 1/16" x 7" x 15" |
| DRB15 X 15DP DT FD | 11 1/16" x 3 1/2" x 15" |
| DRB15M X 15DP DT FD | 11 1/16" x 7" x 15" |
| DRB18 X 15DP DT FD | 14 1/16" x 3 1/2" x 15" |
| DRB18M X 15DP DT FD | 14 1/16" x 7" x 15" |
| DRB19 X 15DP DT FD | 15 9/16" x 3 1/2" x 15" |
| DRB21 X 15DP DT FD | 17 1/16" x 3 1/2" x 15" |
| DRB21M X 15DP DT FD | 17 1/16" x 7" x 15" |
| DRB24 X 15DP DT FD | 20 1/16" x 3 1/2" x 15" |
| DRB24M X 15DP DT FD | 20 1/16" x 7" x 15" |
| DRB27 X 15DP DT FD | 23 1/16" x 3 1/2" x 15" |
| DRB27M X 15DP DT FD | 23 1/16" x 7" x 15" |
| DRB30 X 15DP DT FD | 26 1/16" x 3 1/2" x 15" |
| DRB30M X 15DP DT FD | 26 1/16" x 7" x 15" |
| DRB33 X 15DP DT FD | 29 1/16" x 3 1/2" x 15" |
| DRB33M X 15DP DT FD | 29 1/16" x 7" x 15" |
| DRB36 X 15DP DT FD | 32 1/16" x 3 1/2" x 15" |
| DRB36M X 15DP DT FD | 32 1/16" x 7" x 15" |
| DRBKDC27X 15DP DT FD | 16 23/32" x 2 11/32" x 15" |
| DRBKDC33X 15DP DT FD | 22 23/32" x 2 11/32" x 15" |
| DRBKDC36X 15DP DT FD | 28 23/32" x 2 11/32" x 15" |
| 12" DEEP | |
| DRB10 X 12DP DT FD | 7 1/16" x 3 1/2" x 12" |
| DRB12 X 12DP DT FD | 8 1/16" x 3 1/2" x 12" |
| DRB12M X 12DP DT FD | 8 1/16" x 7" x 12" |
| DRB15 X 12DP DT FD | 11 1/16" x 3 1/2" x 12" |
| DRB15M X 12DP DT FD | 11 1/16" x 7" x 12" |
| DRB18 X 12DP DT FD | 14 1/16" x 3 1/2" x 12" |
| DRB18M X 12DP DT FD | 14 1/16" x 7" x 12" |
| DRB19 X 12DP DT FD | 15 9/16" x 3 1/2" x 12" |
| DRB21 X 12DP DT FD | 17 1/16" x 3 1/2" x 12" |
| DRB21M X 12DP DT FD | 17 1/16" x 7" x 12" |
| DRB24 X 12DP DT FD | 20 1/16" x 3 1/2" x 12" |
| DRB24M X 12DP DT FD | 20 1/16" x 7" x 12" |
| DRB27 X 12DP DT FD | 23 1/16" x 3 1/2" x 12" |
| DRB27M X 12DP DT FD | 23 1/16" x 7" x 12" |
| DRB30 X 12DP DT FD | 26 1/16" x 3 1/2" x 12" |
| DRB30M X 12DP DT FD | 26 1/16" x 7" x 12" |
| DRB33 X 12DP DT FD | 29 1/16" x 3 1/2" x 12" |
| DRB33M X 12DP DT FD | 29 1/16" x 7" x 12" |
| DRB36 X 12DP DT FD | 32 1/16" x 3 1/2" x 12" |
| DRB36M X 12DP DT FD | 32 1/16" x 7" x 12" |
| DRBKDC27X 12DP DT FD | 16 23/32" x 2 11/32" x 12" |
| DRBKDC33X 12DP DT FD | 22 23/32" x 2 11/32" x 12" |
| DRBKDC36X 12DP DT FD | 28 23/32" x 2 11/32" x 12" |

| select & luxury DRAWER BODIES | |
|----------------------------------|--------------------------------|
| PART NAME | DIMENSION |
| 9" DEEP | |
| DRB10 X 9DP DT FD | 7 1/16" x 3 1/2" x 9 7/16" |
| DRB12 X 9DP DT FD | 8 1/16" x 3 1/2" x 9 7/16" |
| DRB12M X 9DP DT FD | 8 1/16" x 7" x 9 7/16" |
| DRB15 X 9DP DT FD | 11 1/16" x 3 1/2" x 9 7/16" |
| DRB15M X 9DP DT FD | 11 1/16" x 7" x 9 7/16" |
| DRB18 X 9DP DT FD | 14 1/16" x 3 1/2" x 9 7/16" |
| DRB18M X 9DP DT FD | 14 1/16" x 7" x 9 7/16" |
| DRB19 X 9DP DT FD | 15 9/16" x 3 1/2" x 9 7/16" |
| DRB21 X 9DP DT FD | 17 1/16" x 3 1/2" x 9 7/16" |
| DRB21M X 9DP DT FD | 17 1/16" x 7" x 9 7/16" |
| DRB24 X 9DP DT FD | 20 1/16" x 3 1/2" x 9 7/16" |
| DRB24M X 9DP DT FD | 20 1/16" x 7" x 9 7/16" |
| DRB27 X 9DP DT FD | 23 1/16" x 3 1/2" x 9 7/16" |
| DRB27M X 9DP DT FD | 23 1/16" x 7" x 9 7/16" |
| DRB30 X 9DP DT FD | 26 1/16" x 3 1/2" x 9 7/16" |
| DRB30M X 9DP DT FD | 26 1/16" x 7" x 9 7/16" |
| DRB33 X 9DP DT FD | 29 1/16" x 3 1/2" x 9 7/16" |
| DRB33M X 9DP DT FD | 29 1/16" x 7" x 9 7/16" |
| DRB36 X 9DP DT FD | 32 1/16" x 3 1/2" x 9 7/16" |
| DRBKDC27X 9DP DT FD | 16 23/32" x 2 11/32" x 9 7/16" |
| DRBKDC33X 9DP DT FD | 22 23/32" x 2 11/32" x 9 7/16" |
| DRBKDC36X 9DP DT FD | 28 23/32" x 2 11/32" x 9 7/16" |

| 2 DRAWER BASE DRAWER BODIES | |
|--------------------------------|-------------------------|
| PART NAME | DIMENSION |
| 21" DEEP | |
| DRB21 HD X 21DPDTFD | 17 1/32" x 7 3/8" x 21" |
| DRB24 HD X 21DPDTFD | 20 1/32" x 7 3/8" x 21" |
| DRB27 HD X 21DPDTFD | 23 1/32" x 7 3/8" x 21" |
| DRB30 HD X 21DPDTFD | 26 1/32" x 7 3/8" x 21" |
| DRB33 HD X 21DPDTFD | 29 1/32" x 7 3/8" x 21" |
| DRB36 HD X 21DPDTFD | 32 1/32" x 7 3/8" x 21" |
| 18" DEEP | |
| DRB21 HD X 18DPDTFD | 17 1/32" x 7 3/8" x 18" |
| DRB24 HD X 18DPDTFD | 20 1/32" x 7 3/8" x 18" |
| DRB27 HD X 18DPDTFD | 23 1/32" x 7 3/8" x 18" |
| DRB30 HD X 18DPDTFD | 26 1/32" x 7 3/8" x 18" |
| DRB33 HD X 18DPDTFD | 29 1/32" x 7 3/8" x 18" |
| DRB36 HD X 18DPDTFD | 32 1/32" x 7 3/8" x 18" |

| MISC DRAWER BODIES | |
|-----------------------|-------------------------------|
| PART NAME | DIMENSION |
| DRB6 BSDC6 | 4 29/32" x 22 15/16" x 4 3/4" |
| DRB6 SDC30 | 4 29/32" x 10 15/16" x 4 3/4" |

Miscellaneous Parts & Accessories

| essential Hinges | |
|-------------------|---|
| PART NAME | DESCRIPTION |
| HINGE 170 FRAMED | Door-to-frame hinge for BER, BSS, CAR or WER cabinet |
| HINGE ER | Hinge that connects bifold doors for BER, BSS, CAR or WER cabinet |
| HINGE FOL 6WY 45 | Hinge with 6-Way Adjustment |
| HINGE FOL OVEN 45 | Hinge for Facemount Oven Applications |
| HINGE TILT OUT 45 | Hinge for Factory Installed Tilt-Out Tray |

| select & luxury Hinges | |
|------------------------|--|
| PART NAME | DESCRIPTION |
| HINGE 170 FRAMED | Door-to-frame hinge for BER, BSS, CAR or WER cabinet |
| HINGE ER | Hinge that connects bifold doors for BER, BSS, CAR or WER cabinet |
| HINGE TILT OUT 45 | Hinge for Factory Installed Tilt-Out Tray |
| HINGE FOL CC6WY 45 | Hinge with 6-Way Adjustment and Soft-Close for AVELEY, GALWAY, INNSBROOK, PORT and STONEWALL door styles |
| HINGE FOL CC6WY 45DP | Hinge with 6-Way Adjustment and Soft-Close for HEATHROW, MCKELLER, PATTINGHAM and TILSON door styles |
| HINGE FOL CCOVEN 45 | Hinge with Soft-Close for Facemount Oven Applications |
| HINGE FOL 6WY 45 | Hinge with 6-Way Adjustment for Wall Top Hinge cabinets (WTH) |
| HINGE CC ANG RES CLP | Door Opening Angle Restriction Clip, 86 Degrees (for use on Integrated Soft-Close Hinges Only, 10 per pack) |
| HINGE SPACER SHIM | Spacer Shim installed between the Hinge and Face Frame, adds inward left/right adjustment (for use on all hinges as needed, 10 per pack) |

| Glides/Tracks/Channels for essential 24" Deep Base & 24" Deep Roll Out Trays | |
|--|---|
| PART NAME | DESCRIPTION |
| CHANNEL SS1 L | Left channel for side-mount Deep Roll Out Tray |
| CHANNEL SS1 R | Right channel for side-mount Deep Roll Out Tray |
| TRACK GA 21L | Left track for side-mount Deep Roll Out Tray or Base cabinet |
| TRACK GA 21R | Right track for side-mount Deep Roll Out Tray or Base cabinet |
| CHANNEL 21L | Left channel for side-mount Base cabinet |
| CHANNEL 21R | Right channel for side-mount Base cabinet |
| GLIDE DROTCCCL24 | Left Soft-Close Glide for Scalloped Full Width Tray (SDROT) on 2 Drawer Base cabinet |
| GLIDE DROTCCR24 | Right Soft-Close Glide for Scalloped Full Width Tray (SDROT) on 2 Drawer Base cabinet |
| GLIDE FD NCL24 | Left Glide for Factory Installed Drawer Accessory cabinet – top drawer only |
| GLIDE FD NCR24 | Right Glide for Factory Installed Drawer Accessory cabinet – top drawer only |
| GLIDE FD NCL24 | Left Glide for Factory Installed Drawer Accessory cabinet – top drawer only |
| GLIDE FD NCR24 | Right Glide for Factory Installed Drawer Accessory cabinet – top drawer only |

| Glides for select & luxury 24" Deep Base & 24" Deep Roll Out Trays | |
|--|--|
| PART NAME | DESCRIPTION |
| GLIDE FD CCL24 | Left Soft-Close Glide for 24" deep Base |
| GLIDE FD CCR24 | Right Soft-Close Glide for 24" deep Base |
| GLIDE DROTCCCL24 | Left Soft-Close Glide for DROT, BPPOK, ROTDK, SDROT |
| GLIDE DROTCCR24 | Right Soft-Close Glide for DROT, BPPOK, ROTDK, SDROT |

| Glides for essential, select & luxury Two Drawer Bases & Wastebasket Cabinets | |
|---|--|
| PART NAME | DESCRIPTION |
| GLIDE HD CCL21 | Left Soft-Close Glide for RD 2DB'S or 21" Deep Desk Wastebasket Cabinets |
| GLIDE HD CCR21 | Right Soft-Close Glide for RD 2DB'S or 21" Deep Desk Wastebasket Cabinets |
| GLIDE HD FAL21 | Left Full Access Glide for RD 2DB'S or 21" Deep Desk Wastebasket Cabinets |
| GLIDE HD FAR21 | Right Full Access Glide for RD 2DB'S or 21" Deep Desk Wastebasket Cabinets |
| GLIDE HD CCL24 | Left Soft-Close Glide for 2 Drawer Base Cabinets |
| GLIDE HD CCR24 | Right Soft-Close Glide for 2 Drawer Base Cabinets |
| GLIDE HD FAL24 | Left Full Access Hidden Glide for 2 Drawer Base Cabinets |
| GLIDE HD FAR24 | Right Full Access Hidden Glide for 2 Drawer Base Cabinets |
| GLIDE WB CCL24 | Left Soft-Close Glide for Wastebasket Cabinets |
| GLIDE WB CCR24 | Right Soft-Close Glide for Wastebasket Cabinets |
| GLIDE WB FAL24 | Left Full-Access Glide for Wastebasket Cabinets |
| GLIDE WB FAR24 | Right Full-Access Glide for Wastebasket Cabinets |

| Tracks/Channels for essential 21" Deep Desk, Vanity and Vanity Linen Cabinets | |
|---|---|
| PART NAME | DESCRIPTION |
| CHANNEL V L | Left channel for 21" deep Vanity, Desk, or Vanity Linen side mount DROT |
| CHANNEL V R | Right channel for 21" deep Vanity, Desk or Vanity Linen side mount DROT |
| TRACK V L | Left track for 21" deep Vanity, Desk, or Vanity Linen side mount DROT |
| TRACK V R | Right track for 21" deep Vanity, Desk or Vanity Linen side mount DROT |
| GLIDE WB CCL21 | Left Soft-Close Glide for DWBB1821 and VWBB1834H |
| GLIDE WB CCR21 | Right Soft-Close Glide for DWBB1821 and VWBB1834H |

| Tracks/Channels for select & luxury 21" Deep Desk, Vanity and Vanity Linen Cabinets | |
|---|---|
| PART NAME | DESCRIPTION |
| GLIDE DROTCCCLVLC | Left Soft-Close Glide for 21" deep Vanity, Desk or Vanity Linen DROTCC |
| GLIDE DROTCCRVLC | Right Soft-Close Glide for 21" deep Vanity, Desk or Vanity Linen DROTCC |
| GLIDE FD CCL VAN21 | Left Soft-Close Glide (21" deep Vanity/Desk) |
| GLIDE FD CCR VAN21 | Right Soft-Close Glide (21" deep Vanity/Desk) |
| GLIDE HD CCL21 | Left Soft-Close Glide for Vanity Wastebasket Cabinets |
| GLIDE HD CCR21 | Right Soft-Close Glide for Vanity Wastebasket Cabinets |

Miscellaneous Parts & Accessories

Glides for select & luxury 18" Deep Knee-hole Drawer Cabinet

| PART NAME | DESCRIPTION |
|----------------|--|
| GLIDE FD CCL18 | Left Soft-Close Glide for 18" deep Knee-hole Drawer |
| GLIDE FD CCR18 | Right Soft-Close Glide for 18" deep Knee-hole Drawer |

Tracks/Channels for essential 18" Deep Knee-hole Drawer Cabinet

| PART NAME | DESCRIPTION |
|---------------|---|
| CHANNEL V 18L | Left channel for 18" deep Knee-hole Drawer |
| CHANNEL V 18R | Right channel for 18" deep Knee-hole Drawer |
| TRACK GA 16L | Left track for 18" deep Knee-hole Drawer |
| TRACK GA 16R | Right track for 18" deep Knee-hole Drawer |

Wood Spin Shelf Units for essential & select Construction Package

| PART NAME | DESCRIPTION |
|---------------------|--|
| BSS33 SHELF WD NP | Wood spin unit and shelf for BSS33 WD (2 required) |
| BSS3336 SHELF WD NP | Wood spin unit and shelf for BSS3336 WD (2 required) |
| BSS36 SHELF WD NP | Wood spin unit and shelf for BSS36 WD (2 required) |
| BSS3633 SHELF WD NP | Wood spin unit and shelf for BSS3633 WD (2 required) |
| CBS36 SHELF WD NP | Wood spin unit and shelf for CBS36 WD (2 required) |
| CWS24 SHELF WD NP | Wood spin unit and shelf for CWS2430 WD, CWS2436 WD and CWS2442 WD (2 required) |
| CWS24 SHELFWDNPMI | Wood spin unit and Matching Interior shelf for CWS2430 WD, CWS2436 WD and CWS2442 WD |

Tilt-Out Tray Kits (Field Installed)

| PART NAME | DESCRIPTION |
|----------------------|---|
| BSS33 SHLF WD NP PLY | Wood spin unit and shelf for BSS33 WD (2 required) |
| BSS3336 SHLFWDNP PLY | Wood spin unit and shelf for BSS3336 WD (2 required) |
| BSS36 SHLF WD NP PLY | Wood spin unit and shelf for BSS36 WD (2 required) |
| BSS3633 SHLFWDNP PLY | Wood spin unit and shelf for BSS3633 WD (2 required) |
| CBS36 SHLF WD NP PLY | Wood spin unit and shelf for CBS36 WD (2 required) |
| CWS24 SHLF WD NP PLY | Wood spin unit and shelf for CWS2430 WD, CWS2436 WD and CWS2442 WD (2 required) |
| CWS24 SHELFWDNPMIPLY | Wood spin unit and Matching Interior shelf for CWS2430 WD, CWS2436 WD and CWS2442 WD (2 required) |

Clips/Brackets

| PART NAME | DESCRIPTION |
|-----------------------|--|
| BRACKET CHAN B | Back bracket for side-mount glides |
| BRACKET GL HD BOT | Bottom bracket for 2 Drawer Base Cabinets |
| BRACKET GLIDE WB BOT | Bottom bracket for Wastebasket Cabinets |
| BRACKET GL B DROT FAL | Left back bracket for DROT Soft-Close Glides |
| BRACKET GL B DROT FAR | Right back bracket for DROT Soft-Close Glides |
| BRACKET GL PBC L FG | Left back bracket for Peninsula Base Corner (PBC) Full-Extension Hidden Glide |
| BRACKET GL PBC R FG | Right back bracket for Peninsula Base Corner (PBC) Full-Extension Hidden Glide |
| BRACKET GL BD RDL FG | Left back bracket for any bottom drawer that uses the GLIDE FD CCL___ W/EXT (excluding PB, PBC, 2DB) |

Clips/Brackets

| PART NAME | DESCRIPTION |
|----------------------|---|
| BRACKET GL BD RDR FG | Right back bracket for any bottom drawer that uses the GLIDE FD CCR___ W/EXT (excluding PB, PBC, 2DB) |
| BRACKET GL BD UNI FG | Left/Right back bracket for any bottom drawer that uses the Full-extension Glide (excluding PB, PBC, 2DB) |
| BRACKET GL BD UNI FG | Left/Right back bracket for any bottom drawer that use the GLIDE FD CC___ (excluding PB, PBC, 2DB) |
| BRACKET GL PB L FG | Left back bracket for Peninsula Base Full-Extension Hidden Glide |
| BRACKET GL PB R FG | Right back bracket for Peninsula Base Full-Extension Hidden Glide |
| BRACKET GL UD RDL FG | Left back bracket for any upper drawer(s) that uses the GLIDE FD CCL___ W/EXT (excluding PB, PBC, 2DB) |
| BRACKET GL UD RDR FG | Right back bracket for any upper drawer(s) that uses the GLIDE FD CCR___ W/EXT (excluding PB, PBC, 2DB) |
| BRACKET GL UD UNI FG | Left/Right back bracket for any upper drawer(s) that use the GLIDE FD CC___ (excluding PB, PBC, 2DB) |
| BRACKET RD DROT L FA | Left back bracket for reduced depth GLIDE DROTCC___ and DROT___21 |
| BRACKET RD DROT R FA | Right back bracket for reduced depth GLIDE DROTCCR___ and DROT___21 |
| BRACKET RED DP REAR | Back bracket for reduced depth Side-Mounted Glide |
| BRACKETDROT FRT MTL | Front bracket for GLIDE DROTCC___24 & GLIDE DROTCC___21 |
| CLIP HD DRB BACK L | Left back bracket for 2 Drawer Base and Wastebasket Cabinets |
| CLIP HD DRB BACK R | Right back bracket for 2 Drawer Base and Wastebasket Cabinets |
| CLIP DDF | Drawer front clip |
| CLIP LOCK 3/4 4 PK | Package of four locking shelf rests for Base and Tall cabinet shelves |
| CLIP REAR SHELF | Middle shelf rest for 39" or wider Wall cabinet shelf |
| CLIP SHELF NP SPIN | Locking shelf clip for NP Spin Units (Base 4 required, Wall 5 required) |
| DRB HD MOUNT CLIP L | Left drawer release clip for 2 Drawer Base |
| DRB HD MOUNT CLIP R | Right drawer release clip for 2 Drawer Base |
| DRB WB MOUNT CLIP L | Left drawer release clip for Wastebasket Cabinets |
| DRB WB MOUNT CLIP R | Right drawer release clip for Wastebasket Cabinets |
| DRB MOUNT CLIP L FD | Drawer release clip for Left Soft-Close Glide |
| DRB MOUNT CLIP R FD | Drawer release clip for Right Soft-Close Glide |
| DROTFA MOUNT CLIP L | Left release clip for GLIDE DROTCC___24 and DROT___21 |
| DROTFA MOUNT CLIP R | Right release clip for GLIDE DROTCC___24 and DROT___21 |
| MOUNT BRACKET GA SS1 | Bracket for Side-Mounted Channels |
| SHELF REST METAL 12 | Package of twelve metal shelf rests for Wall or Bookshelf shelves |
| SHELF REST METAL 4PK | Package of four metal shelf rests for Wall or Bookshelf shelves |
| SHELF SUPT ADJ BASE | Middle shelf rest for 39" or wider Base cabinet shelf |
| SPACER GL BD FRT FG | Front drawer clip for bottom drawer on DB___ cabinets (excluding 2DB) |
| SPACER GL KDC FRT FG | Front drawer clip for KDC |

Miscellaneous Parts & Accessories

| Miscellaneous | |
|----------------------|--|
| PART NAME | DESCRIPTION |
| BASE CORNER BLOCK WD | Plywood corner block |
| BFP3 FRONT FILLER | Filler for BFP3 Base Filler Pull Out |
| BFP6 FRONT FILLER | Filler for BFP6 Base Filler Pull Out |
| BPP9 KIT | Kit for BPP9 Base Pantry Pull Out |
| BPP12 KIT | Kit for BPP12 Base Pantry Pull Out |
| BTDP9 KIT | Kit for BTDP9 Base Tray Divider Pull Out |
| BPPUS12 KIT | Kit for BPPUS12 Base Pull Out Utensil Storage |
| BPPUS9 KIT | Kit for BPPUS9 Base Pull Out Utensil Storage |
| BUMPER CLEAR | Door bumper (Strip of 4 bumpers) |
| BUMPER CLEAR 55 | Door bumper (Strip of 55 bumpers) |
| BUMPER CLEAR DWR | Drawer bumper (Strip of 4 bumpers) |
| BWBB15 FH FOL KIT | Wastebasket kit for FOL BWBB15 FH |
| BWBB15 FOL KIT | Wastebasket kit for FOL BWBB15 |
| BWBB15-2 FOL KIT | Wastebasket for FOL BWBB15-2 |
| BWBB18 FH FOL KIT | Wastebasket kit for FOL BWBB18 FH |
| BWBB18-2 FOL KIT | Wastebasket kit for FOL BWBB18-2 |
| BWBB21-2 FH FOL KIT | Wastebasket kit for FOL BWBB21-2 FH |
| BWBB21-2 FOL KIT | Wastebasket kit for FOL BWBB21-2 |
| COVER CAP 10MM TAN | Tan cover cap for cabinet backs (4 per pack) |
| COVER CAP 10MM WHT | White cover cap for cabinet backs (4 per pack) |
| DWBB1821 FOL KIT | Wastebasket kit for FOL DWBB1821 |
| DWBB1824 FOL KIT | Wastebasket kit for FOL DWBB1824 |
| DFDC FILE UNIT 21 | File unit for DFDC1821 |
| DFDC FILE UNIT 24 | File unit for DFDC1824 |
| FRAME SPACER BPP9 | Unit stabilizer and frame spacer for BPP9, BPP12 & BTDP9 |
| KNOB SDC | Wooden knob for SDC/BSDC6 |
| LATCH TILT OUT TRAY | Replacement Latch for Factory Installed Tilt-Out Tray (1 required) |
| PDO21 | Peg Dish Organizer for 21" 2 Drawer Base |
| PDO24 | Peg Dish Organizer for 24" 2 Drawer Base |
| PDO27 | Peg Dish Organizer for 27" 2 Drawer Base |
| PDO30 | Peg Dish Organizer for 30" 2 Drawer Base |
| PDO33 | Peg Dish Organizer for 33" 2 Drawer Base |
| PDO36 | Peg Dish Organizer for 36" 2 Drawer Base |
| PEG KIT 4 PK | Package of 4 pegs for Peg Dish Organizer |
| ROT DIVIDER KIT | Divider for ROTDK12/ROTDK15 |
| ROT PROTECTOR | End plastic protector on Deep Roll Out Trays (2 required per DROT) |
| SDROT21 | Scalloped Deep Roll Out Tray for DB21 2DWR |
| SDROT24 | Scalloped Deep Roll Out Tray for DB24 2DWR |
| SDROT27 | Scalloped Deep Roll Out Tray for DB27 2DWR |
| SDROT30 | Scalloped Deep Roll Out Tray for DB30 2DWR |
| SDROT33 | Scalloped Deep Roll Out Tray for DB33 2DWR |
| SDROT36 | Scalloped Deep Roll Out Tray for DB36 2DWR |
| TRAY ST TILT OUT 11 | Stainless Tray ONLY for Factory Installed Tilt-Out |
| TRAY ST TILT OUT 14 | Stainless Tray ONLY for Factory Installed Tilt-Out |
| TRAY ST TILT OUT 24 | Stainless Tray ONLY for Factory Installed Tilt-Out |
| VWBB1834H FOL KIT | Wastebasket kit for VWBB1834H |
| WASTEBASKET 27QT SLV | Silver 27-Quart trashcan |

| Miscellaneous | |
|----------------------|--|
| PART NAME | DESCRIPTION |
| WASTEBASEKT 35QT SLV | Silver 35-Quart trashcan |
| WASTEBASEKT 50QT SLV | Silver 50-Quart trashcan |
| WOOD SPIN HOLE PLUG | Access hole plug for wood spin shelf on CBS and CWS cabinets |
| WTH DOOR STAY | One Door Stay for Wall Top Hinge cabinet |
| WTH DR STAY BRK | One Door Bracket for WTH DOOR STAY |
| WTH FR STAY BRK | One Frame bracket for WTH DOOR STAY |
| WTH HEX KEY BAG | ONE HEX KEY FOR WTH DOOR STAY |

| Miscellaneous Shelving | |
|------------------------|---|
| PART NAME | DESCRIPTION |
| BS18 SHELF 1PK | Single Shelf for BSPLY18 |
| BS18 SHELF 4PK | 4 Pack Shelf Kit for BSPLY18 |
| BS24 SHELF 1PK | Single Shelf for BSPLY24 |
| BS24 SHELF 4PK | 4 Pack Shelf Kit for BSPLY24 |
| BS30 SHELF 1PK | Single Shelf for BSPLY30 |
| BS30 SHELF 4PK | 4 Pack Shelf Kit for BSPLY30 |
| BS36 SHELF 1PK | Single Shelf for BSPLY36 |
| BS36 SHELF 4PK | 4 Pack Shelf Kit for BSPLY36 |
| WCMSC2412 SHELF | Microwave shelf for WCMSC241236 BUTT |
| WCMSC2712 SHELF | Microwave shelf for WCMSC271236 BUTT |
| WMSC2712 SHELF | Microwave shelf for WMSC271236 BUTT |
| WMSC2718 SHELF | Microwave shelf for WMSC271836 BUTT / WMSC271842 BUTT |
| WMSC3012 SHELF | Microwave shelf for WMSC301236 |

| Screws | |
|--------------------|---|
| PART NAME | DESCRIPTION |
| SCREW CHANNEL | Channel installation screw (2 per channel) |
| SCREW DDF | Drawer front installation screw |
| SCREW DDF 5PC | Screw for 5-piece drawer fronts |
| SCREW DDF SDC 7/8" | SDC drawer front installation screw (1 per drawer body) |
| SCREW EXTENDER RD | Screw for RD extender (1 per extender) |
| SCREW GLIDE FD | Adjustment screw for Full-Access Hidden Glide (1 per glide) |
| SCREW HINGE/DR | Hinge-to-door screw (2 per door) |
| SCREW HINGE/FR | Hinge-to-frame screw (1 per hinge) |
| SCREW TRACK | Track screw (6 per track) |

| essential Replacement Parts For 24" Deep Base, Furniture Drawers & Desk Drawers | |
|---|---|
| PART NAME | DESCRIPTION |
| DRB__ x 18DP DT SG | Small dovetail drawer body |
| DRB__M x 18DP DT SG | Large dovetail drawer body |
| CHANNEL 21L | Left channel for drawer - attaches to cabinet (qty 1 per drawer) |
| CHANNEL 21R | Right channel for drawer - attaches to cabinet (qty 1 per drawer) |
| TRACK GA 21L | Left track for drawer - attaches to drawer body (qty 1 per drawer) |
| TRACK GA 21R | Right track for drawer - attaches to drawer body (qty 1 per drawer) |
| BRACKET CHAN B | Back bracket for channel - attaches channel to cabinet (qty 2 per drawer) |
| SCREW CHANNEL | Channel screw - attaches channel to face frame (qty 1 per drawer) |
| SCREW TRACK | Track screw - attaches track to drawer body (qty 3 per drawer) |

| essential Replacement Parts For 21" Deep Vanity And Desk Drawers | |
|--|---|
| PART NAME | DESCRIPTION |
| DRB__ x 18DP DT SG | Small dovetail drawer body |
| DRB__M x 18DP DT SG | Large dovetail drawer body |
| CHANNEL V L | Left channel for drawer - attaches to cabinet (qty 1 per drawer) |
| CHANNEL V R | Right channel for drawer - attaches to cabinet (qty 1 per drawer) |
| TRACK V L | Left track for drawer - attaches to drawer body (qty 1 per drawer) |
| TRACK V R | Right track for drawer - attaches to drawer body (qty 1 per drawer) |
| BRACKET CHAN B | Back bracket for channel - attaches channel to cabinet (qty 2 per drawer) |
| SCREW CHANNEL | Channel screw - attaches channel to face frame (qty 1 per drawer) |
| SCREW TRACK | Track screw - attaches track to drawer body (qty 3 per drawer) |

| essential Replacement Parts For 18" Deep Vanity/Kneehole Drawers | |
|--|---|
| PART NAME | DESCRIPTION |
| DRB__ x 15DP DT SG | Small dovetail drawer body |
| DRB__M x 15DP DT SG | Large dovetail drawer body |
| DRBKDC_X 15DP DT SG | Kneehole drawer body |
| CHANNEL V 18L | Left channel for drawer - attaches to cabinet (qty 1 per drawer) |
| CHANNEL V 18R | Right channel for drawer - attaches to cabinet (qty 1 per drawer) |
| TRACK GA 16L | Left track for drawer - attaches to drawer body (qty 1 per drawer) |
| TRACK GA 16R | Right track for drawer - attaches to drawer body (qty 1 per drawer) |
| BRACKET CHAN B | Back bracket for channel - attaches channel to cabinet (qty 2 per drawer) |
| SCREW CHANNEL | Channel screw - attaches channel to face frame (qty 1 per drawer) |
| SCREW TRACK | Track screw - attaches track to drawer body (qty 3 per drawer) |

| essential Replacement Parts For Wastebasket Pullout | |
|---|---|
| PART NAME | DESCRIPTION |
| BWBB__ _OL KIT | Base Bottom Mounted Wastebasket Kit (includes all installation items) |
| DWBB18__ _OL KIT | Desk Bottom Mounted Wastebasket Kit (includes all installation items) |
| VWBB1834H __OL KIT | Vanity Bottom Mounted Wastebasket Kit (includes all installation items) |
| GLIDE WB CCL24 | Soft-Close Heavy Duty Glide for BWBB__, DWBB1824 (qty 1 per pullout) |
| GLIDE WB CCR24 | Soft-Close Heavy Duty Glide for BWBB__, DWBB1824 (qty 1 per pullout) |
| GLIDE WB CCL21 | Soft-Close Heavy Duty Glide for DWBB1821, VWBB1834H (qty 1 per pullout) |
| GLIDE WB CCR21 | Soft-Close Heavy Duty Glide for DWBB1821, VWBB1834H (qty 1 per pullout) |
| SCREW GLIDE FD | Screw that attaches glide brackets to front face frame of cabinet (qty 1 per glide) |
| SCREW TRACK | Screw that attaches the door to the drawer box using "L" brackets (qty 2 per bracket) |
| SCREW BRACKET DDF | Attaches "L" bracket to drawer front (qty 2 per bracket) |
| SCREW BRACKET DRB | Attaches "L" bracket to drawer box (qty 2 per bracket) |
| BRACKET GLIDE WB BOT | Heavy Duty Glide Back Bracket - mounts to cabinet floor (qty 1 per glide) |
| DDF BRACKET FOL | Metal "L" bracket for FOL door attachment (qty 4 per door) |
| DDF BRACKET CCAP FOL | Plastic "L" bracket cover cap for DDF BRACKET FOL (qty 1 per bracket) |
| DDF BRACKET SOL | Metal "L" bracket for SOL door attachment (qty 4 per door) |
| DDF BRACKET CCAP SOL | Plastic "L" bracket cover cap for DDF BRACKET SOL (qty 1 per bracket) |
| WASTEBASKET 27QT SLV | Silver 27 QT Wastebasket |
| WASTEBASKET 35QT SLV | Silver 35 QT Wastebasket |
| WASTEBASKET 50QT SLV | Silver 50 QT Wastebasket |

essential Replacement Parts For 24" Deep DROT'S/BPPOK'S/ROTDK'S

| PART NAME | DESCRIPTION |
|----------------|---|
| DROT__ | Deep Dovetail Deep Roll Out Tray Kit |
| CHANNEL SS1L | Left channel for deep roll out tray - attaches to cabinet (qty 1 per drawer) |
| CHANNEL SS1R | Right channel for deep roll out tray - attaches to cabinet (qty 1 per drawer) |
| TRACK GA 21L | Left track for deep roll out tray - attaches to drawer body (qty 1 per drawer) |
| TRACK GA 21R | Right track for deep roll out tray - attaches to drawer body (qty 1 per drawer) |
| BRACKET CHAN B | Back bracket for channel - attaches channel to cabinet (qty 2 per drawer) |
| SCREW CHANNEL | Channel screw - attaches channel to face frame (qty 1 per deep roll out tray) |
| SCREW TRACK | Track screw - attaches track to drawer body (qty 3 per drawer) |
| SCREW TRACK | Track screw - attaches track to drawer body (qty 3 per drawer) |

essential Replacement Parts For 21" Deep VLC DROT'S

| PART NAME | DESCRIPTION |
|----------------|---|
| DROT_21 | Deep Dovetail Deep Roll Out Tray Kit |
| CHANNEL V L | Left channel for deep roll out tray - attaches to cabinet (qty 1 per drawer) |
| CHANNEL V R | Right channel for deep roll out tray - attaches to cabinet (qty 1 per drawer) |
| TRACK V L | Left track for deep roll out tray - attaches to drawer body (qty 1 per drawer) |
| TRACK V R | Right track for deep roll out tray - attaches to drawer body (qty 1 per drawer) |
| BRACKET CHAN B | Back bracket for channel - attaches channel to cabinet (qty 2 per drawer) |
| SCREW CHANNEL | Channel screw - attaches channel to face frame (qty 1 per deep roll out tray) |
| SCREW TRACK | Track screw - attaches track to drawer body (qty 3 per drawer) |
| SCREW TRACK | Track screw - attaches track to drawer body (qty 3 per drawer) |

essential Replacement Parts For Two Drawer Base Drawers

| PART NAME | DESCRIPTION |
|---------------------|---|
| DRB__ HD x 21DPDTFD | Drawer body - release clips attached |
| GLIDE HD CCL24 | Left Soft-Close Glide (qty 1 per drawer) |
| GLIDE HD CCR24 | Right Soft-Close Glide (qty 1 per drawer) |
| CLIP HD DRB BACK L | Left back bracket for drawer glide (qty 1 per drawer) |
| CLIP HD DRB BACK R | Right back bracket for drawer glide (qty 1 per drawer) |
| BRACKET GL HD BOT | Bottom bracket for glide (qty 2 per drawer) |
| SCREW GLIDE FD | Screw to attach front clip for drawer (qty 2 per drawer) |
| DRB HD MOUNT CLIP L | Left drawer release clip for drawer glide - included with replacement drawer body (qty 1 per drawer) |
| DRB HD MOUNT CLIP R | Right drawer release clip for drawer glide - included with replacement drawer body (qty 1 per drawer) |

select & luxury Replacement Parts For 24" Deep Base And Desk Drawers

| PART NAME | DESCRIPTION |
|----------------------|---|
| DRB__ x 21DP DT FD | Small drawer body - release clips attached |
| DRB__M x 21DP DT FD | Large drawer body - release clips attached |
| GLIDE FD CCL24 | Left Soft-Close Glide (qty 1 per drawer) |
| GLIDE FD CCR 24 | Right Soft-Close Glide (qty 1 per drawer) |
| BRACKET GL BD UNI FG | Back bracket for any bottom drawer (qty 2 per drawer) |
| BRACKET GL UD UNI FG | Back bracket for any upper drawer (qty 2 per drawer) |
| SCREW GLIDE FD | Screw to attach front clip for drawer (qty 2 per drawer) |
| DRB MOUNT CLIP L FD | Left drawer release clip for drawer glide - included with replacement drawer body (qty 1 per drawer) |
| DRB MOUNT CLIP R FD | Right drawer release clip for drawer glide - included with replacement drawer body (qty 1 per drawer) |

select & luxury Replacement Parts For 21" Deep Vanity And Desk Drawers

| PART NAME | DESCRIPTION |
|----------------------|---|
| DRB__ x 18DP DT FD | Small drawer body - release clips attached |
| DRB__M x 18DP DT FD | Large drawer body - release clips attached |
| GLIDE FD CCL VAN21 | Left Soft-Close Glide (qty 1 per drawer) |
| GLIDE FD CCR VAN21 | Right Soft-Close Glide (qty 1 per drawer) |
| BRACKET GL BD UNI FG | Back bracket for any bottom drawer (qty 2 per drawer) |
| BRACKET GL UD UNI FG | Back bracket for any upper drawer (qty 2 per drawer) |
| SCREW GLIDE FD | Screw to attach front clip for drawer (qty 2 per drawer) |
| DRB MOUNT CLIP L FD | Left drawer release clip for drawer glide - included with replacement drawer body (qty 1 per drawer) |
| DRB MOUNT CLIP R FD | Right drawer release clip for drawer glide - included with replacement drawer body (qty 1 per drawer) |

select & luxury Replacement Parts For 18" Deep Vanity/Kneehole Drawers

| PART NAME | DESCRIPTION |
|----------------------|---|
| DRB__ x 15DP DT FD | Small dovetail drawer body |
| DRB__M x 15DP DT FD | Large dovetail drawer body |
| DRBKDC_X 15DP DT FD | Small drawer body - release clips attached |
| GLIDE FD CCL18 | Left Soft-Close Glide (qty 1 per drawer) |
| GLIDE FD CCR 18 | Right Soft-Close Glide (qty 1 per drawer) |
| BRACKET GL BD UNI FG | Back bracket for any bottom drawer (qty 2 per drawer) |
| BRACKET GL UD UNI FG | Back bracket (qty 2 per drawer) |
| SCREW GLIDE FD | Screw to attach front clip for drawer (qty 2 per drawer) |
| DRB MOUNT CLIP L FD | Left drawer release clip for drawer glide - included with replacement drawer body (qty 1 per drawer) |
| DRB MOUNT CLIP R FD | Right drawer release clip for drawer glide - included with replacement drawer body (qty 1 per drawer) |

select & luxury Replacement Parts For Wastebasket Pullout

| NOMENCLATURE | DESCRIPTION |
|----------------------|---|
| BWBB__ _OL KIT | Base Bottom Mounted Wastebasket Kit (includes all installation items) |
| DWBB18__ _OL KIT | Desk Bottom Mounted Wastebasket Kit (includes all installation items) |
| VWBB1834H _OL KIT | Vanity Bottom Mounted Wastebasket Kit (includes all installation items) |
| GLIDE WB CCL24 | Soft-Close Heavy Duty Glide for BWBB__, DWBB1824 (qty 1 per pullout) |
| GLIDE WB CCR24 | Soft-Close Heavy Duty Glide for BWBB__, DWBB1824 (qty 1 per pullout) |
| GLIDE WB CCL21 | Soft-Close Heavy Duty Glide for DWBB1821, VWBB1834H (qty 1 per pullout) |
| GLIDE WB CCR21 | Soft-Close Heavy Duty Glide for DWBB1821, VWBB1834H (qty 1 per pullout) |
| SCREW GLIDE FD | Screw that attaches glide brackets to front face frame of cabinet (qty 1 per glide) |
| SCREW TRACK | Screw that attaches the door to the drawer box using "L" brackets (qty 2 per bracket) |
| SCREW BRACKET DDF | Attaches "L" bracket to drawer front (qty 2 per bracket) |
| SCREW BRACKET DRB | Attaches "L" bracket to drawer box (qty 2 per bracket) |
| BRACKET GLIDE WB BOT | Heavy Duty Glide Back Bracket - mounts to cabinet floor (qty 1 per glide) |
| DDF BRACKET FOL | Metal "L" bracket for FOL door attachment (qty 4 per door) |
| DDF BRACKET CCAP FOL | Plastic "L" bracket cover cap for DDF BRACKET FOL (qty 1 per bracket) |
| DDF BRACKET SOL | Metal "L" bracket for SOL door attachment (qty 4 per door) |
| DDF BRACKET CCAP SOL | Plastic "L" bracket cover cap for DDF BRACKET SOL (qty 1 per bracket) |
| WASTEBASKET 27QT SLV | Silver 27 QT Wastebasket |
| WASTEBASKET 35QT SLV | Silver 35 QT Wastebasket |
| WASTEBASKET 50QT SLV | Silver 50 QT Wastebasket |

select & luxury Replacement Parts For 24" Deep DROT'S/BPPOK'S/ROTDK'S

| PART NAME | DESCRIPTION |
|----------------------|---|
| DROT__ | Deep Roll Out Tray Kit (ships with ALL installation hardware) |
| GLIDE DROTCL24 | Left Soft-Close Glide (qty 1 per roll out tray) |
| GLIDE DROTCCR24 | Right Soft-Close Glide (qty 1 per roll out tray) |
| SCREW GLIDE CC | Attachment screws for front brackets (2 per roll out tray) |
| BRACKET GL B DROTUNI | Back bracket for drawer glide (qty 2 per roll out tray) |
| BRACKETDROT FRT MTL | Front bracket for drawer glide - will ship with attachment screws (qty 2 per roll out tray) |
| DROTFA MOUNT CLIP L | Left release clip for roll out tray |
| DROTFA MOUNT CLIP R | Right release clip for roll out tray |
| SCREW TRACK | Track screw - attaches track to drawer body (qty 3 per drawer) |

select & luxury Replacement Parts For 12" Deep Furniture Drawers

| PART NAME | DESCRIPTION |
|----------------------|---|
| DRB__ x 9DP DT FD | Small drawer body - release clips attached |
| DRB__M x 9DP DT FD | Large drawer body - release clips attached |
| GLIDE FD CCL12 | Left Soft-Close Glide (qty 1 per drawer) |
| GLIDE FD CCR12 | Right Soft-Close Glide (qty 1 per drawer) |
| BRACKET GL UD RDL FG | Left back bracket (qty 1 per drawer) |
| BRACKET GL UD RDR FG | Right back bracket (qty 1 per drawer) |
| SCREW GLIDE FD | Screw to attach front clip for drawer (qty 2 per drawer) |
| DRB MOUNT CLIP L FD | Left drawer release clip for drawer glide - included with replacement drawer body (qty 1 per drawer) |
| DRB MOUNT CLIP R FD | Right drawer release clip for drawer glide - included with replacement drawer body (qty 1 per drawer) |

select & luxury Replacement Parts For 21" Deep VLC DROT'S

| PART NAME | DESCRIPTION |
|----------------------|---|
| DROT__21 | Deep Roll Out Tray Kit (ships with ALL installation hardware) |
| GLIDE FD CCL VAN21 | Left Soft-Close Glide - ships with front bracket BRACKETDROT FRT MTL (qty 1 per roll out tray) |
| GLIDE FD CCR VAN21 | Right Soft-Close Glide - ships with front bracket BRACKETDROT FRT MTL (qty 1 per roll out tray) |
| SCREW GLIDE CC | Attachment screws for front brackets (2 per roll out tray) |
| BRACKET RD DROT L FA | Left back bracket for drot glide (qty 1 per roll out tray) |
| BRACKET RD DROT R FA | Right back bracket for drot glide (qty 1 per roll out tray) |
| BRACKETDROT FRT MTL | Front bracket for drawer glide - will ship with attachment screws (qty 2 per roll out tray) |
| DROTFA MOUNT CLIP L | Left release clip for roll out tray |
| DROTFA MOUNT CLIP R | Right release clip for roll out tray |

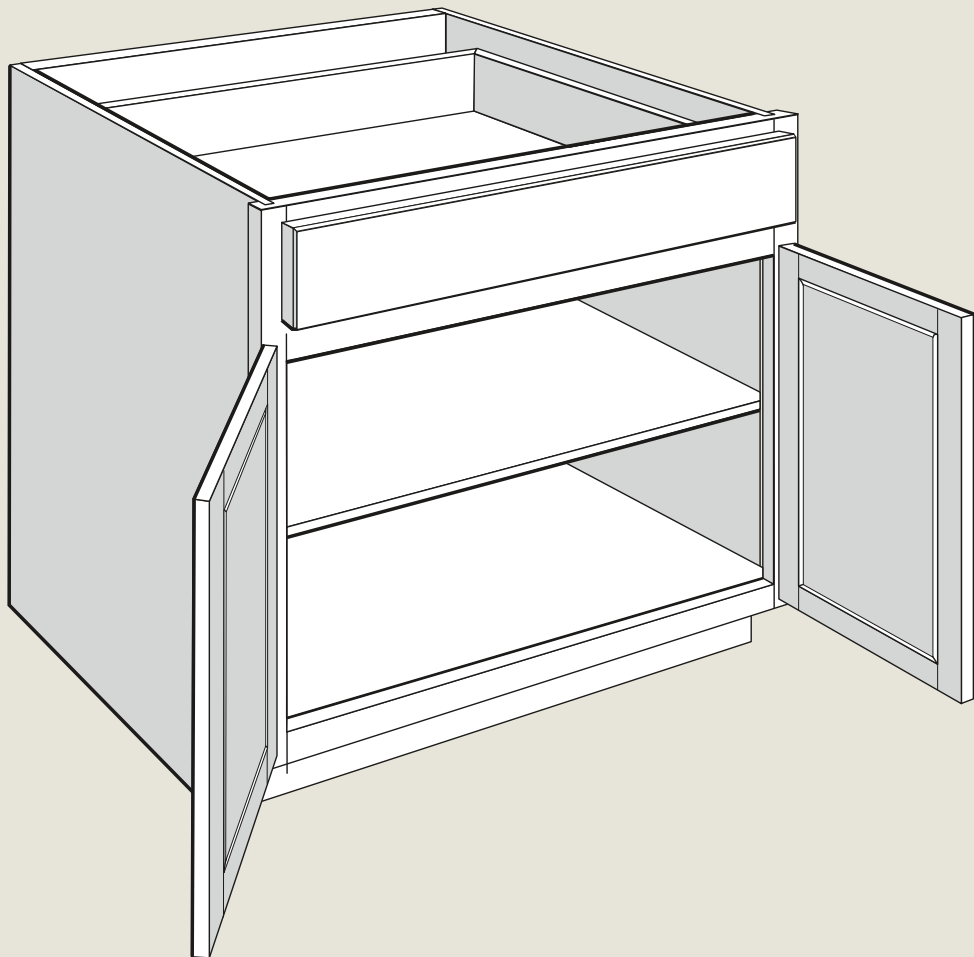
select & luxury Replacement Parts For 24" Deep Furniture Drawers

| PART NAME | DESCRIPTION |
|----------------------|---|
| DRB__ x 21DP DT FD | Small drawer body - release clips attached |
| DRB__M x 21DP DT FD | Large drawer body - release clips attached |
| GLIDE FD CCL24 | Left Soft-Close Glide (qty 1 per drawer) |
| GLIDE FD CCR 24 | Right Soft-Close Glide (qty 1 per drawer) |
| BRACKET GL UD UNI FG | Back bracket (qty 2 per drawer) |
| SPACER GL BD FRT FG | Spacer for BRACKET GL UD UNI FG (qty 2 per drawer) |
| SCREW GLIDE FD | Screw to attach front clip for drawer (qty 2 per drawer) |
| DRB MOUNT CLIP L FD | Left drawer release clip for drawer glide - included with replacement drawer body (qty 1 per drawer) |
| DRB MOUNT CLIP R FD | Right drawer release clip for drawer glide - included with replacement drawer body (qty 1 per drawer) |

select & luxury Replacement Parts For Two Drawer Base Drawers

| PART NAME | DESCRIPTION |
|---------------------|---|
| DRB__ HD x 21DPDTFD | Drawer body - release clips attached |
| GLIDE HD CCL24 | Left Soft-Close Glide - ships with front bracket BRACKETDROT FRT MTL (qty 1 per roll out tray) |
| GLIDE HD CCR24 | Right Soft-Close Glide - ships with front bracket BRACKETDROT FRT MTL (qty 1 per roll out tray) |
| CLIP HD DRB BACK L | Left back bracket for drawer glide (qty 1 per drawer) |
| CLIP HD DRB BACK R | Right back bracket for drawer glide (qty 1 per drawer) |
| BRACKET GL HD BOT | Bottom bracket for glide (qty 2 per drawer) |
| SCREW GLIDE FD | Screw to attach front clip for drawer (qty 2 per drawer) |
| DRB HD MOUNT CLIP L | Left drawer release clip for drawer glide - included with replacement drawer body (qty 1 per drawer) |
| DRB HD MOUNT CLIP R | Right drawer release clip for drawer glide - included with replacement drawer body (qty 1 per drawer) |

Index



| | SKU | PAGE |
|---|--------------|----------|
| A | | |
| Accent Turned Foot | ATF | 135 |
| Accent Turned Foot, Full Round | ATF-FR | 135 |
| Accessible Height Option | AH | 33 |
| Adaptable Sink Base Kit | ASB___KIT | 81 |
| Adjustable Drawer Divider Insert Kit | ADDIK___ | 86 |
| Adjustable Shelf Kit | S/SK___ | 106, 120 |
| Angle Crown Molding | ACM8 | 122 |
| Angled Corbel | AS12___ | 132 |
| Angled Outside Corner Molding | AOSC8 | 126 |
| Asymmetrical Base Easy Reach | BER___ | 74 |
| Asymmetrical Base Super Susan with Wood Spin Units | BSS___WD | 74 |
| B | | |
| Base Bookshelf | BSPLY2434 | 95 |
| Base Cabinet Construction, essential | - | 19 |
| Base Cabinet Construction, luxury | - | 23 |
| Base Cabinet Construction, select | - | 21 |
| Base Cabinet Decorator Matching Doors | DMDB | 143 |
| Base Cabinet Dimensions | - | 13 |
| Base Cabinet Mixer Lift | FH MLK | 65 |
| Base Cabinet No Drawer | TB9 | 64 |
| Base Cabinet Tray Divider Pull-Out | BTDP9 | 65 |
| Base Cabinet Two Vertical Deep Roll Out Trays | B___2FWT | 60 |
| Base Cabinet Two Vertical Deep Roll Out Trays | B___2FWT | 63 |
| Base Cabinet with 1 Door and Factory Installed Drawer Organizers | B___ | 62 |
| Base Cabinet with 2 Doors and Factory Installed Drawer Organizers | B__ BUTT ___ | 63 |
| Base Cabinet with Factory Installed Roll-Out Tray Divider | B___ROTD | 60 |
| Base Cabinet, 1 Factory Installed Wastebasket | BWBB15___ | 61 |
| Base Cabinet, 2 Factory Installed Wastebaskets | BWBB___-2 | 61 |
| Base Cabinet, Standard with 2 Butt Doors | B___ | 62 |
| Base Cabinet, Standard with Center Stile | B___ | 64 |
| Base Cabinet, Standard with One Door | B___ | 60 |
| Base Cabinet, with 3 Doors | B45 | 64 |
| Base Column Filler | B_C___ | 149 |
| Base Corner Filler | BCF27 | 148 |
| Base Easy Reach | BER___ | 73 |
| Base End Angle Decorator Matching Door | DMDBEA12 | 144 |
| Base End Angle | BEA___FH | 83 |
| Base Filler Pull-Out | BFP___ | 84 |
| Base Microwave Cabinet | BMC___ | 83 |
| Base Mixer Lift Kit | BMLK18 | 88 |
| Base Oven Cabinet Universal | BOCU___ | 84 |
| Base Pantry Pull-Out | BPP___ | 66 |
| Base Plumbing Skirt | BPS___UD | 80 |
| Base Pot & Pan Organizer Kit | BPPOK___ | 87 |
| Base Pot and Pan Organizer Cabinet | B___BPPO | 61 |
| Base Pot and Pan Organizer Cabinet | B___BPPO | 63 |
| Base Spice Drawer Cabinet | BSDC6 | 82 |
| Base Square Foot | BSQF | 135 |

| | SKU | PAGE |
|---------------------------------------|-----------------|------|
| Base Square Leg | BSQL | 135 |
| Base Super Susan with Wood Spin Units | BSS__ WD | 73 |
| Base Tapered Leg | BTPL | 135 |
| Base Toe Kick | BTK8 | 150 |
| Base Turned Leg | BTL | 135 |
| Base Utensil Storage Pull-Out | BPPUS__ | 66 |
| Base Wine Rack Cabinet | BWRC6 | 82 |
| Batten Molding | BM8 | 126 |
| Blind Base Swing Out Kit | BLBSOK45__ | 88 |
| Blind Corner Base Installation Chart- | - | 77 |
| Blind Corner Base | BLB__ | 76 |
| Blind Corner Closure | BLC__ | 57 |
| Blind Corner Closure | BLC1515 | 90 |
| Blind Peninsula Corner Base | PBC__ | 72 |
| Blind Wall Cabinet | BLW__ | 44 |
| Blind Wall Cabinet Dimensions | - | 45 |
| Blind Wall Cabinet Installation Chart | - | 45 |
| Built-In Base Microwave Cabinet | BBMC__ | 84 |
| C | | |
| Cabinet Angle Molding | CAM8 | 126 |
| Cabinet Care | - | 11 |
| Cabinet Dimensions | - | 12 |
| Cabinet Front Only Option | CFO | 29 |
| Cabinet Specifications | - | 9 |
| Cabinet Tray Divider | TD3 | 89 |
| Cabinet Tray Divider | TD3 | 106 |
| Ceiling Height Requirements | - | 14 |
| Chair Rail Molding | CR8 | 123 |
| Chantilly Decorative Foot | CDF | 136 |
| Chantilly Decorative Leg | CDL | 136 |
| Chantilly Furniture Leg | CFL | 136 |
| Classic Baseboard Molding | CLBM8 | 124 |
| Classic Molding Stack | MS CLASSIC ____ | 129 |
| Classic Trim Molding | CLTM8 | 124 |
| Cleaning Caddy Pullout Kit | CCPOK | 89 |
| Cleat | HWC__ | 150 |
| Construction Option Examples | - | 28 |
| Construction Option Legend | - | 28 |
| Construction Package Comparison Chart | - | 24 |
| Contemporary Trim Molding | CTM8 | 122 |
| Contents | - | 3 |
| Contents, Parts Directory | - | 164 |
| Corner Base Carousel | CAR36 WD | 75 |
| Corner Base with Wood Spin Units | CBS36 WD | 75 |
| Corner Sink Base | CSB36 | 78 |
| Corner Sink Front | CSF__ | 82 |
| Corner Wall Cabinets | CW__ | 46 |
| Cover Caps | COVER CAP | 151 |

| | SKU | PAGE |
|--|--------------------|--------------|
| Crown Molding - Builder | CM8 BLD | 127 |
| Crown Molding | CM8 | 122 |
| Crown Valance | V__ CR | 130 |
| Curved Corbel | CS12__ | 132 |
| Cutlery Divider Kit | CDAK__ | 85 |
| D | | |
| Decorative Cove Molding | DCVM8 | 122 |
| Decorative Glass Clips | CLIP DGI __ | 37 |
| Decorative Inside Corner Molding | ICM8 | 126 |
| Decorative Trim Molding | DCTM8 | 122 |
| Deep Roll Out Tray 4 Pack Kit, Utility | DROT____-4K | 107 |
| Deep Roll Out Tray 4 Pack Kit, Vanity Linen | DROT____21-4K | 120 |
| Deep Roll Out Tray Kit | DROT__ | 87, 107, 120 |
| Deep Sink Base Cabinet | DSB_ | 78 |
| Deep Sink/Range Base Cabinet | DSB__ | 78 |
| Desk Cabinet Dimensions | - | 13 |
| Desk Cabinet with Wastebasket Pull-Out, 21" Deep | DWBB1821__ | 92 |
| Desk Cabinet with Wastebasket Pull-Out, 24" Deep | DWBB1824__ | 92 |
| Desk Door Cabinet, 21" Deep | DDO__21 | 92 |
| Desk Door Cabinet, 24" Deep | DDO__24 | 92 |
| Desk Drawer Cabinet, 21" Deep | DDR__21 | 93 |
| Desk Drawer Cabinet, 24" Deep | DDR__24 | 93 |
| Desk End Panel | DEP | 118, 140 |
| Desk File Pull-Out Cabinet, 21" Deep | DFDC1821__ | 93 |
| Desk File Pull-Out Cabinet, 24" Deep | DFDC1824__ | 93 |
| Dishwasher Return | DWR3 | 140 |
| Door Style Collections | - | 5 |
| Double Oven Cabinet, 1 Drawer | OVD__ BUTT | 104 |
| Double Oven Cabinet, 1 Large Drawer | OVD__ BUTT 1DDWR | 105 |
| Double Oven Cabinet, 2 Drawers | OVD__ BUTT 2DWR | 105 |
| Drawer Base Cabinet w/ Scalloped Tray | DB__ 2DWR SFWT | 68 |
| Drawer Base Cabinet, 2 Drawers | DB__ 2DWR | 68 |
| Drawer Base Cabinet Dimensions | - | 13 |
| Drawer Base Cabinet w/ Peg Dish Organizer and Scalloped Tray | DB__ 2DWR SFWT PDO | 69 |
| Drawer Base Cabinet w/Peg Dish Organizer | DB__ 2DWR PDO | 69 |
| Drawer Base Cabinet, 3 Drawers | DB__ | 69 |
| Drawer Base Cabinet, 4 Drawers | DB__ 4DWR | 69 |
| Drawer Work Surface | DWS21 | 86 |
| Dummy Drawer Front Fastener | DDF FASTENER | 151 |
| E | | |
| Environmentally Responsible Stewardship | - | 10 |
| F | | |
| Filler, Plain Box | WPB__ | 55 |
| Finished Shelf | FS__ | 57 |
| Finishing System Specifications | - | 11 |
| Flat Panel Arched Valance | V__ FP | 130 |
| Floating Shelf | FLSH__ | 56, 95 |
| Fluted Beaded Filler Extension | FBF E3__ | 148 |

| | SKU | PAGE |
|--|----------------------|-------------|
| Fluted Beaded Filler | FBF__ | 148 |
| Full-Height Base Cabinet with Tray Divider and Shelf | TB9 TDS | 64 |
| Full-Height Base Cabinet, 1 Factory Installed Wastebasket | BWBB__ FH | 66 |
| Full-Height Base Cabinet, 2 Butt Doors | B__ FH | 67 |
| Full-Height Base Cabinet, 2 Factory Installed Wastebaskets | BWBB21-2 FH | 66 |
| Full-Height Base Cabinet | B__ FH | 65 |
| Full-Height Base w/Four Deep Roll Out Trays | B__ FH __4FWT | 65, 67 |
| Full-Height Base w/Two Deep Roll Out Trays | B__ FH __2FWT | 67, 65 |
| Full-Height Peninsula Base | PB__ FH | 71 |
| Furniture Drawer Cabinet | FD__ | 67, 93, 117 |
| Furniture Ends Option | FE | 29 |
| G | | |
| Glass Insert | DGI__ | 36 |
| Glass Shelf Kit | GSK__ | 57 |
| Grooved End Panel | __EP__ GROOVED | 141 |
| H | | |
| Hinge Restriction Clip | HINGE CC ANG RES CLP | 151 |
| I | | |
| Increased Depth Option | ID | 31 |
| Inset Light Rail Molding | ILR8 | 124 |
| Inside Corner Molding | QM8 | 126 |
| Installation Guidelines | - | 16 |
| K | | |
| KCMA Certification | - | 10 |
| Kneehole Drawer Cabinet | KDC__ | 93, 118 |
| Knife Block Drawer Insert Kit | KBDIK__ | 86 |
| L | | |
| Large Cove Molding | LCVM8 | 122 |
| Large Finley Corbel | FC312 | 133 |
| Large Narrow Cove Corbel | CC212 | 132 |
| Large Prairie Corbel | PC312 | 133 |
| Large Rosette Corbel | RC313 | 134 |
| Large Valencia Corbel | VC312 | 133 |
| Library Light Rail Molding | LBM8 | 124 |
| M | | |
| Matching Interior Option | MI | 33 |
| Medium Cove Corbel | CC49 | 132 |
| Medium Finley Corbel | FC49 | 133 |
| Medium Narrow Cove Corbel | CC29 | 132 |
| Medium Prairie Corbel | PC49 | 133 |
| Medium Rosette Corbel | RC49 | 134 |
| Medium Valencia Corbel | VC49 | 133 |
| Microwave Wall | WMC__ | 43 |
| Mirror Molding | MM8 | 123 |
| Modern Molding Stack | MS MODERN ____ | 127 |
| Molding Stock, 3-Sided | MSS3S____ | 125 |

| | SKU | PAGE |
|---|--------------|----------|
| O | | |
| Ogee Molding | OGE8 | 123 |
| Ogee Pilaster Molding | OGP8 | 124 |
| Open Frame Door Option | OFD | 35 |
| Outside Corner Molding | OTCM8 | 126 |
| Oven Cabinet, Single | OVS__ | 101 |
| Overlay Dimensions | - | 25 |
| Overlay Filler | _OF__ | 146 |
| P | | |
| Parker Decorative Foot | PDF | 136 |
| Parker Decorative | PDL | 136 |
| Parker Furniture Leg | PFL | 136 |
| Parts Directory Contents | - | 164 |
| Parts Directory Section | - | 163 |
| Pedestal Drawer Cabinet | PD__ | 68 |
| Peninsula Base Cabinet | PB__ | 71 |
| Plain Box Filler | WPB__ | 149 |
| Plinth Block - 3" | _B3X4 PLINTH | 134 |
| Plinth Block - 6" | _B6X6 PLINTH | 134 |
| Putty Stick | PUTTY STICK | 152 |
| Q | | |
| Quarter Round Molding | QR8 | 126 |
| R | | |
| Raised Panel Arched Valance | V__ RP | 130 |
| Range Hood Blower | RHVENT__ | 55 |
| Range Hood Chimney | RHC__ | 52 |
| Range Hood, Raised Panel | RH__ RP | 52 |
| Range Hood, Straight Valance | RH__ SV | 52 |
| Recessed Toe Kick Option | RTK | 32 |
| Reduced Depth Option | RD | 30 |
| Refrigerator Return Panel | RR__ | 142 |
| Roll-Out Tray Divider Kit | ROTD__ | 87 |
| S | | |
| Screws, Installation | SCREW | 151 |
| Scribe Molding | SM8 | 126 |
| Scribe Molding | SM10 | 126 |
| Shaker Accent Molding | SAM | 125 |
| Shaker Chair Rail Molding | SQCR8 | 123 |
| Shaker Insert Molding | SIM8 | 123 |
| Shaker Mirror Molding | SMM8 | 123 |
| Shaker Valance | V__ SH | 131 |
| Shelf, Adjustable | S/SK__ | 106, 120 |
| Shelf End Wall, Round Top and Bottom | SEW__ | 49 |
| Shelf End Wall, Square Top and Bottom | SEW__ SQTB | 49 |
| Shelf End Wall, Square Top and Round Bottom | SEW__ SQT | 49 |
| Shelf, Floating | FLSH__ | 56, 95 |
| Shelf Rests | SHELF REST | 150 |
| Shoe Molding | SHM8 | 126 |

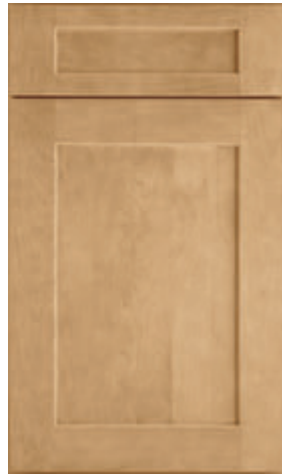
| | SKU | PAGE |
|--|------------------------|--------|
| Single Bead Accent Molding | SBAM8 | 125 |
| Single Bead Insert Molding | SBIM8 | 123 |
| Single Bead Molding | SBM8 | 125 |
| Single Oven Cabinet, with 2 Butt Doors, 4 Drawers | OVS__ BUTT 4DWR | 104 |
| Single Oven Cabinet, with 4 Butt Doors, 1 Drawer | OVS__ BUTT 1DWR | 102 |
| Single Oven Cabinet, with 4 Butt Doors, 1 Drawer & Pot & Pan Organizer | OVS__ BUTT 1DWR __BPPO | 102 |
| Single Oven Cabinet, with 4 Butt Doors, 2 Drawers | OVS__ BUTT 2DWR | 103 |
| Single Oven Cabinet, with 4 Butt Doors, 2 Drawers, Pot & Pan Organizer | OVS__ BUTT 2DWR __BPPO | 103 |
| Single Oven Cabinet, with Base Pot & Pan Organizer | OVS__ BUTT BPPO | 101 |
| Sink Base Door Storage Unit | SBDSU__ | 90 |
| Sink Base Multi-Storage Shelf | SBMSS | 90 |
| Sink Base with One Factory Installed Tilt-Out Tray(s) | SB__ STO | 79 |
| Sink Base with One Factory Installed Tilt-Out Tray(s) | SB__ STO/TO | 80 |
| Sink Base with Two Factory Installed Tilt-Out Tray(s) | SB__ STO | 80 |
| Sink/Cooktop Base Cabinet | SB__ | 79 |
| Sink/Cooktop Front | SF__ | 81 |
| Sink/Vanity Front Floor | FL__ | 141 |
| Sink/Vanity Front Return | SFR | 140 |
| Small Cove Corbel | CC36 | 132 |
| Small Cove Molding | SCVM8 | 122 |
| Small Finley Corbel | FC36 | 133 |
| Small Narrow Cove Corbel | CC26 | 132 |
| Small Prairie Corbel | PC36 | 133 |
| Small Rosette Corbel | RC36 | 134 |
| Small Single Bead Molding | SSBM8 | 125 |
| Small Traditional Light Rail Molding | STLR8 | 124 |
| Small Valencia Corbel | VC36 | 133 |
| Soffit Crown Molding | SCM8 | 122 |
| Specialty Door Options | SD | 34 |
| Spice Drawer Cabinet | SDC__ | 48 |
| Spice Drawer Insert Kit | S DIAK__ | 85 |
| Spice Rack Kit | SRK__ | 56 |
| Split Post | SPLT POST80 P | 137 |
| Spray Stain | SPRAY STAIN | 152 |
| Square Inset Light Rail Molding | SQILR8 | 124 |
| Stain | STAIN | 152 |
| Stainless Tilt-Out Tray Kit | STO TRAY | 90 |
| Starter Molding | STRM8 | 125 |
| Stem Glass Holder | SGH36U | 56 |
| Stock, 4-Sided | S4S__ | 125 |
| Storage Cube | SC__ | 48, 94 |
| Straight Valance | V__ S | 131 |
| T | | |
| Tall Bookshelves | BSPLY__ | 94 |
| Tall Cabinet Decorator Matching Doors | DMDT__ | 144 |
| Tall Cabinet Dimensions | - | 14 |
| Tall Column Filler | T_C__ | 149 |
| Tapered Foot | TPF | 135 |

| | SKU | PAGE |
|---|----------------------|------|
| Textured Finished Shelf | FS__ | 57 |
| Tilt-Out Tray Kit | STO TRAY__ | 118 |
| Touchup Marker | TU MARKER | 152 |
| Traditional Classic Crown Molding | TCCM8 | 122 |
| Traditional Split Block | SPLT BLOCK26 | 137 |
| Traditional Valance | V__T | 131 |
| Transitional Molding Stack | MS TRANSITIONAL ____ | 128 |
| U | | |
| Universal Filler Extension | UF E3__ | 145 |
| Universal Filler | UF__ | 145 |
| Utility Cabinet | UT__ | 98 |
| Utility Cabinet, 24" Deep, with Adjustable Shelves | UT__ 24 X __ AS | 99 |
| Utility Cabinet with Deep Roll Out Trays | UT____4ROT | 100 |
| V | | |
| Valet Cabinet | VC2436 BUTT | 118 |
| Vanity Adaptable Sink Base Kit | ASB__32 KIT | 117 |
| Vanity Base Cabinet with Wastebasket Pull-Out, 34 1/2" High | VWBB1834H | 110 |
| Vanity Base, One Door | VB__ | 110 |
| Vanity Base, Two Butt Doors | VB__BUTT | 110 |
| Vanity Base with Full-Height Door, 34 1/2" High | VB__ 34H FH | 111 |
| Vanity Combo Sink Base, 34 1/2" High | VSDB__34H | 115 |
| Vanity Drawer Base, 34 1/2" High | VDB__34H | 111 |
| Vanity Linen Cabinet, with Adjustable Shelves | VLC__ AS | 119 |
| Vanity Linen Cabinet, with Deep Roll Out Trays | VLC____ DROT | 119 |
| Vanity Plumbing Skirt | VPS__ UD | 116 |
| Vanity Sink Base, 34 1/2" High | VSB/VAN__34H | 112 |
| Void Door Option | VDO__ | 31 |
| Void Top Drawer Option | VTD | 32 |
| W | | |
| Wall Bookshelves | BSPLY__ | 94 |
| Wall Cabinet Construction, essential | - | 18 |
| Wall Cabinet Construction, luxury | - | 22 |
| Wall Cabinet Construction, select | - | 20 |
| Wall Cabinet Dimensions | - | 12 |
| Wall Cabinet, Standard | W__ | 40 |
| Wall Cabinet with Spice Rack | W__ SR | 42 |
| Wall Column Filler | W_C__ | 149 |
| Wall Easy Reach | WER__ | 47 |
| Wall End Angle Cabinet | WEA12__ | 47 |
| Wall Microwave Cabinet, with Shelf | WMSC__ | 43 |
| Wall Range Hood, Arched Valance | WRH__ AV | 50 |
| Wall Range Hood, Classic Tapered | WRH__ CT | 50 |
| Wall Range Hood, Decorative Mantle | WRH__ DM | 50 |
| Wall Range Hood, Straight Valance | WRH__ SV | 50 |
| Wall Top Hinge Cabinet | WTH__ | 42 |
| Warranty Information | - | 4 |
| Wide Batten Molding | WBM8 | 126 |

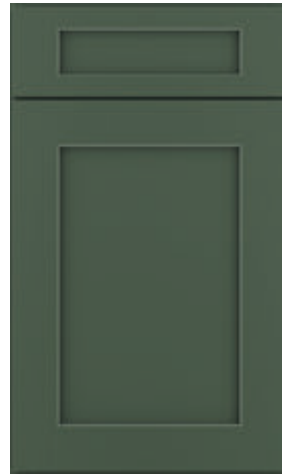
| | SKU | PAGE |
|---------------------------------|----------|------|
| Wine Rack Cabinet | WRC__ | 48 |
| Wine Rack | WR36 | 56 |
| Wine Storage Cabinet | WSC__ | 49 |
| Wood End Panel | _EP__ | 141 |
| Wood Tall End Panel | WTEP__ | 142 |
| Wood Tiered Cutlery Divider Kit | WTCDAK__ | 85 |



AVELEY



INNSBROOK



GALWAY



PORT



STONEWALL



TILSON



PATTINGHAM



McKELLER



HEATHROW



Printed in U.S.A. ©2024 AWC 0724 6,500 AWL98485 allenandrothcabinetry.com

©2024 Lowe's. LOWE'S and Gable Mansard Design are registered trademarks of LF, LLC. All are used with permission.